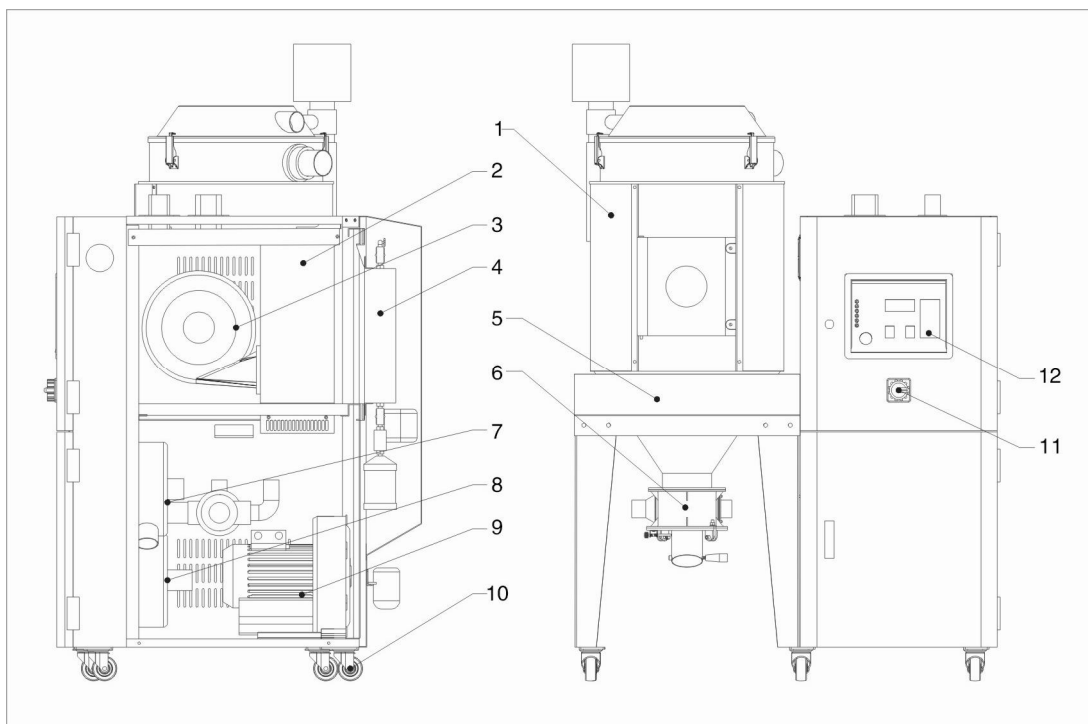


## 2.2 Drawing and Parts List

### 2.2.1 System structure

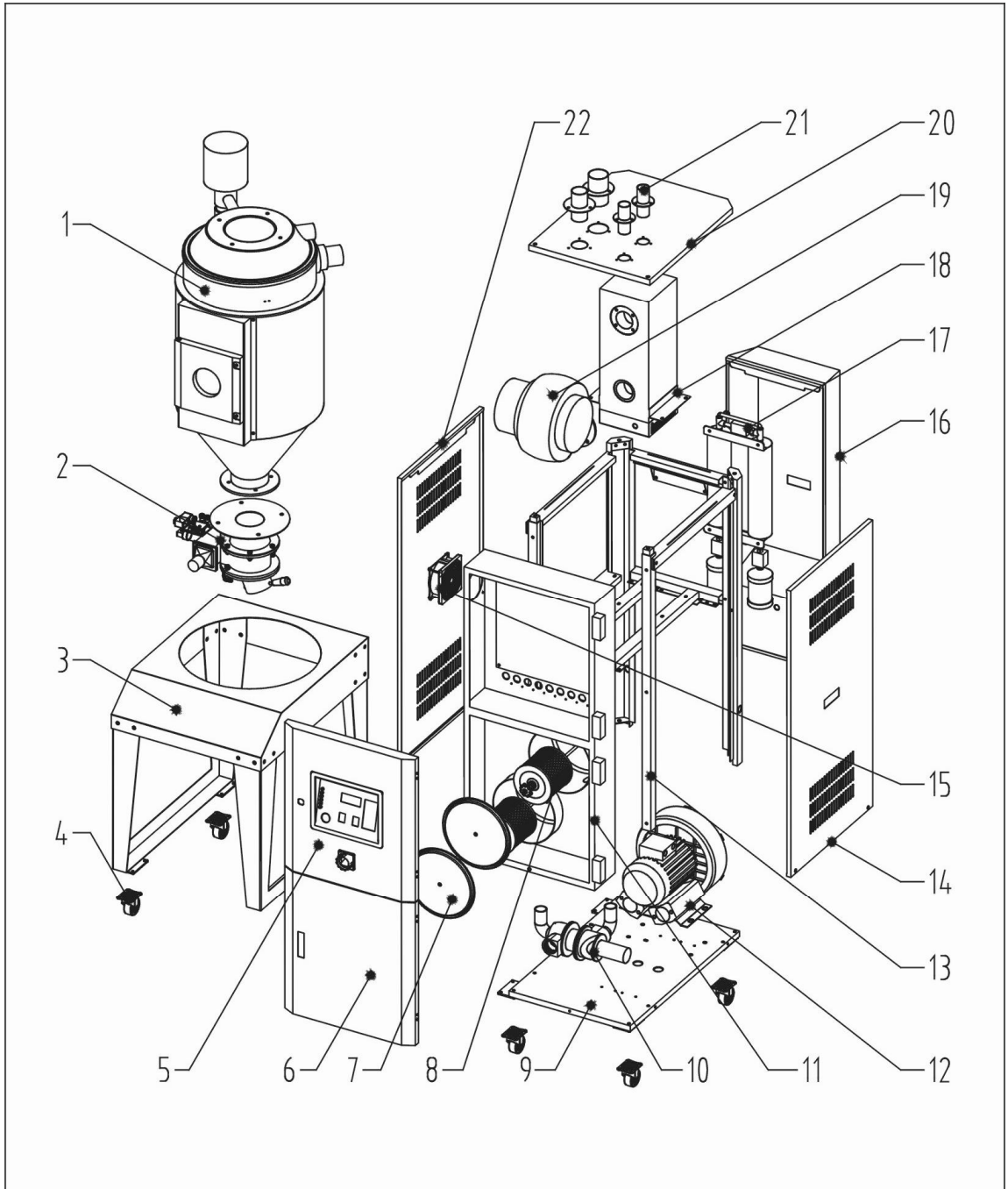


#### Names of Parts:

- |   |                       |                               |
|---|-----------------------|-------------------------------|
| 1. Insulated hopper                     | 2. Heating box        | 3. Blower                     |
| 4. Heatless dehumidifying compact dryer | 5. Castor             | 6. Shut-off valve suction box |
| 7. Return air filter                    | 8. Feeding filter     | 9. Feeding blower             |
| 10. Castor                              | 11. Main power switch | 12. Control panel             |

Picture 2-2: System structure

## 2.2.2 Assembly Drawing



Remarks: Please refer to material list 2.2.3 for specific explanation of the Arabic numbers in parts drawing.

Picture 2-3: Assembly Drawing

## 2.2.3 Parts List

Table 2-1: Parts List (SDL-20U~120U-HD)

No.	Name	Part No.			
		SDL-20U-HD	SDL-40U-HD	SDL-80U-HD	SDL-120U-HD
1	Insulated hopper	BY10002000150	BY10004000150	BY10008000150	BY10012000250
2	Shut-off valve suction box	BY10163800250	BY10163800250	BY10163800250	BY10163800250
3	Castor	-	-	-	-
4	Castor	YW03000300200 YW03000300000	YW03000300200 YW03000300000	YW03000300200 YW03000300000	YW03000300200 YW03000300000
5	Top door plate	-	-	-	-
6	Below door plate	-	-	-	-
7	Filter cover	YL21001200200	YL21001200200	YL21001200200	YL21001200200
8	Filter**	YR50708000100	YR50708000100	YR50708000100	YR50708000100
9	Base plate	-	-	-	-
10	Three-way valve	BY20150000050	BY20150000050	BY20150000050	BY20150000050
11	Control box	-	-	-	-
12	Material suction blower*	BM30031000150	BM30031000150	BM30031000150	BM30031000150
13	Frame	-	-	-	-
14	Right side plate	-	-	-	-
15	Ventilator	YM60121200400	YM60121200400	YM60121200400	YM60121200400
16	Back board	-	-	-	-
17	Heatless dehumidifying compact dryer	BY90106600050	BY90106600050	YE90102100000	YE90103100000
18	Heating box	-	-	-	-
19	Process blower	BM40001500200	BM40001500200	-	-
20	Deck plate	-	-	-	-
21	Pipe connector	-	-	-	-
22	Left side plate	-	-	-	-

\* means possible broken parts.

\*\* means easy broken part. and spare backup is suggested.

Please confirm the version of manual before placing the purchase order to guarantee that the item number of the spare part is in accordance with the real object.

Table 2-2: Parts List (SDL-160U~450U-HD)

No.	Name	Part No.			
		SDL-160U-HD	SDL-230U-HD	SDL-300U-HD	SDL-450U-HD
1	Insulated hopper	BY10016000150	BY10023000050	BY10030000550	BY10045000050
2	Shut-off valve suction box	BY10163800250	BY10163800250	BY10163800250	BY10163800250
3	Castor	-	-	-	-
4	Castor	YW03000300200	YW03000300200	YW03000300200	YW03000300200
		YW03000300000	YW03000300000	YW03000300000	YW03000300000
5	Top door plate	-	-	-	-
6	Below door plate	-	-	-	-
7	Filter cover	YL21001200200	YL21001200200	YL21001200200	YL21001200200
8	Filter**	-	-	-	-
9	Base plate	-	-	-	-
10	Three-way valve	BY20150000050	BY20150000050	BY20150000050	BY20150000050
11	Control box	-	-	-	-
12	Material suction blower*	BM30031000150	BM30031000150	BM30031000150	BM30031000150
13	Frame	-	-	-	-
14	Right side plate	-	-	-	-
15	Ventilator	YM60121200400	YM60121200400	YM60121200400	YM60121200400
16	Back board	-	-	-	-
17	Heatless dehumidifying compact dryer	BY90206600050	BY90035600050	YE90109100000	YE90112100000
18	Heating box	-	-	-	-
19	Process blower	BM40004000150	BM40004000150	BM40005000150	BM40005000150
20	Deck plate	-	-	-	-
21	Pipe connector	-	-	-	-
22	Left side plate	-	-	-	-

\* means possible broken parts.

\*\* means easy broken part. and spare backup is suggested.

Please confirm the version of manual before placing the purchase order to guarantee that the item number of the spare part is in accordance with the real object.

Table 2-3: Parts List (SDL-600U~1200U-HD)

No.	Name	Part No.			
		SDL-600U-HD	SDL-750U-HD	SDL-900U-HD	SDL-1200U-HD
1	Insulated hopper	BY10016000150	BY10075000050	BY10090000150	BY10120000050
2	Shut-off valve suction box	BY10163800250	BY10163800250	BY10165000250	BY10165000250
3	Castor	-	-	-	-
4	Castor	YW03000400200	YW03000400200	YW03000400200	YW03000400200
		YW03000400000	YW03000400000	YW03000400000	YW03000400000
5	Top door plate	-	-	-	-
6	Below door plate	-	-	-	-
7	Filter cover	-	-	-	-
8	Filter**	-	-	-	-
9	Base plate	-	-	-	-
10	Three-way valve	BY20150000050	BY20150000050	BY20200000150	BY20200000150
11	Control box	-	-	-	-
12	Material suction blower*	BM30042000050	BM30042000050	BM30042000050	BM30042000050
13	Frame	-	-	-	-
14	Right side plate	-	-	-	-
15	Ventilator	YM60121200400	YM60121200400	YM60121200400	YM60121200400
16	Back board	-	-	-	-
17	Heatless dehumidifying compact dryer	YE90112100000	YE90112100000	YE90112100000	YE90112100000
18	Heating box	-	-	-	-
19	Process blower	BM30055000250	BM30055000250	BM30055000250	BM30113230050
20	Deck plate	-	-	-	-
21	Pipe connector	-	-	-	-
22	Left side plate	-	-	-	-

\* means possible broken parts.

\*\* means easy broken part. and spare backup is suggested.

Please confirm the version of manual before placing the purchase order to guarantee that the item number of the spare part is in accordance with the real object.