



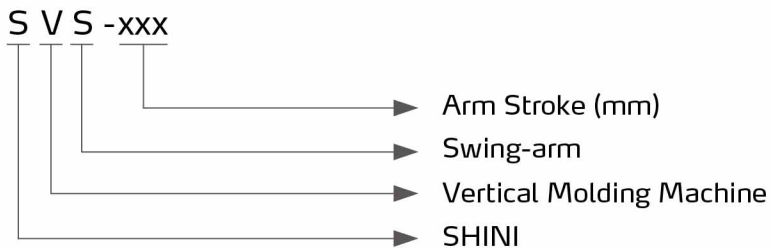
Vertical Molding Machine Swing-arm Robot

SVS-700



Refer carefully to this manual before operation.

■ Coding Principle



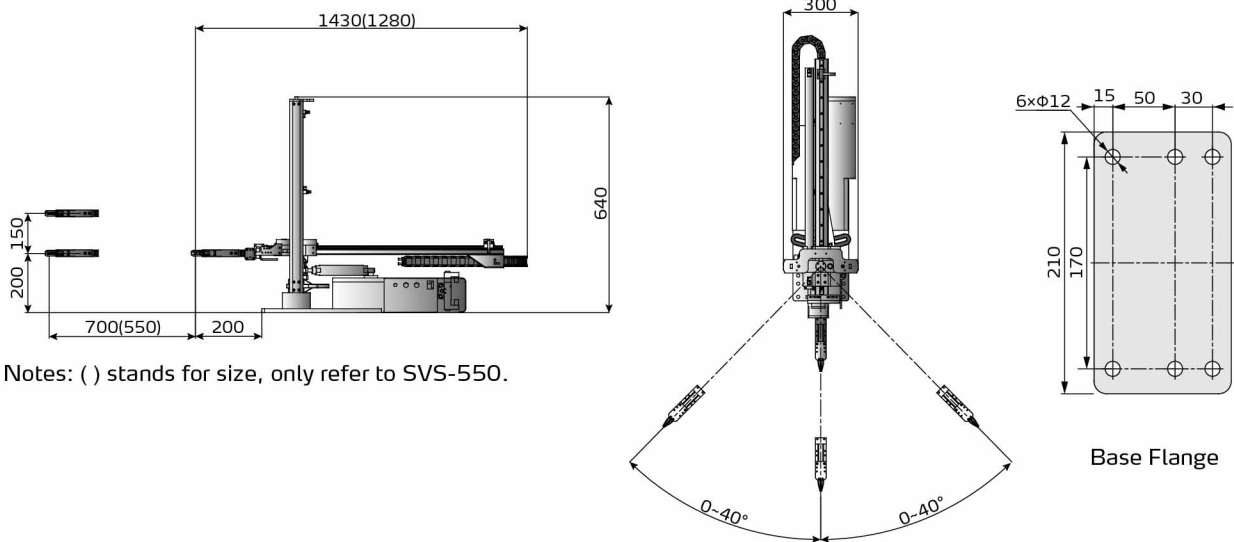
■ Features

- Appearance
Designed with frame-type style, compact and streamlined appearance.
- Safety
Proximity sensors and anti-collision devices are applied to all moving directions in order to provide safety mechanically and electrically.
- Convenience
All limitation device are fixed by sliders, users can adjust them by need, easy to use. Cylinder air flow can be adjusted by filter regulating valve.
- Standardization
All pneumatic accessories, electric accessories, and communication protocols meet the global standards. Interface between injection molding machine and robot is compliance with EUROMAP 12, EUROMAP 67 and SPI.
- User Friendly
Signals can be connected by EUROMAP push-pull connector, easy to plug-in and plug-out. Reserved 4 extra I/O pins for other applications.
- Intelligence
Dialogic hand controller supports 3 languages, including Traditional Chinese, Simplified Chinese and English. System includes 8 standards programs and 50 sets teach programs which can store mold processing conditions and data. The controller also have self-diagnosis function.

■ Application

The SVS series robot is designed for rapid and precise removal of sprue and runner from vertical molding machine, and place them into granulator for recycling.

Outline Drawings



Specifications

Model	SVS-550	SVS-700
IMM(ton)	50~150	100~200
Vertical Stroke(mm)	0~150	0~150
Arm Stroke(mm)	0~550	0~700
Swing Angle(deg)	0~40	0~40
Wrist Angle(deg)	180	180
Max Load (with tool)(kg)	0.5	0.5
Min Pick-out Time(sec)	0.8	0.9
Min Cycle Time(sec)	3	3.2
Max Air Consumption(L)	12	14.5
Power Rating(W)	30	30
Rated Current(A)	0.5	0.5
Air Pressure(bar)	4~6	4~6
Weight(kg)	55	57
Dimensions (W×H×D) (mm)	300×640×1280	300×640×1430

Notes: 1) "EM12" stands for EUROMAP 12 communication interface.
 "EM67" stands for EUROMAP 67 communication interface.
 2) Power supply requirement: 1Φ, 200~240V, 50/60Hz.

We reserve the right to change the specifications without prior notice.

Shini Group

Addr: No. 23, Minhe St., Shulin Dist.,
New Taipei, Taiwan

Tel: +886 2 2680 9119

Fax: +886 2 2680 9229

Email: shini@shini.com

Factories:

- Taiwan
- Dongguan
- Pinghu
- Ningbo
- Chongqing
- Pune

2021-01-15-04 Copyrights Reserved.

www.shini.com