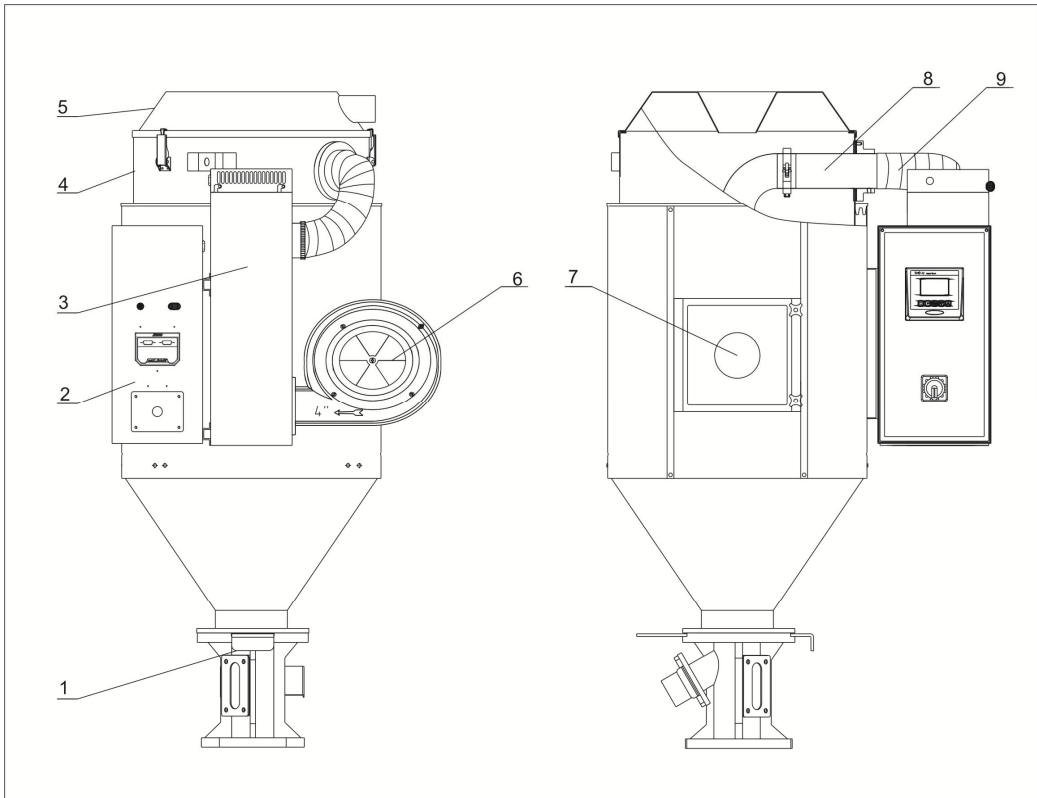


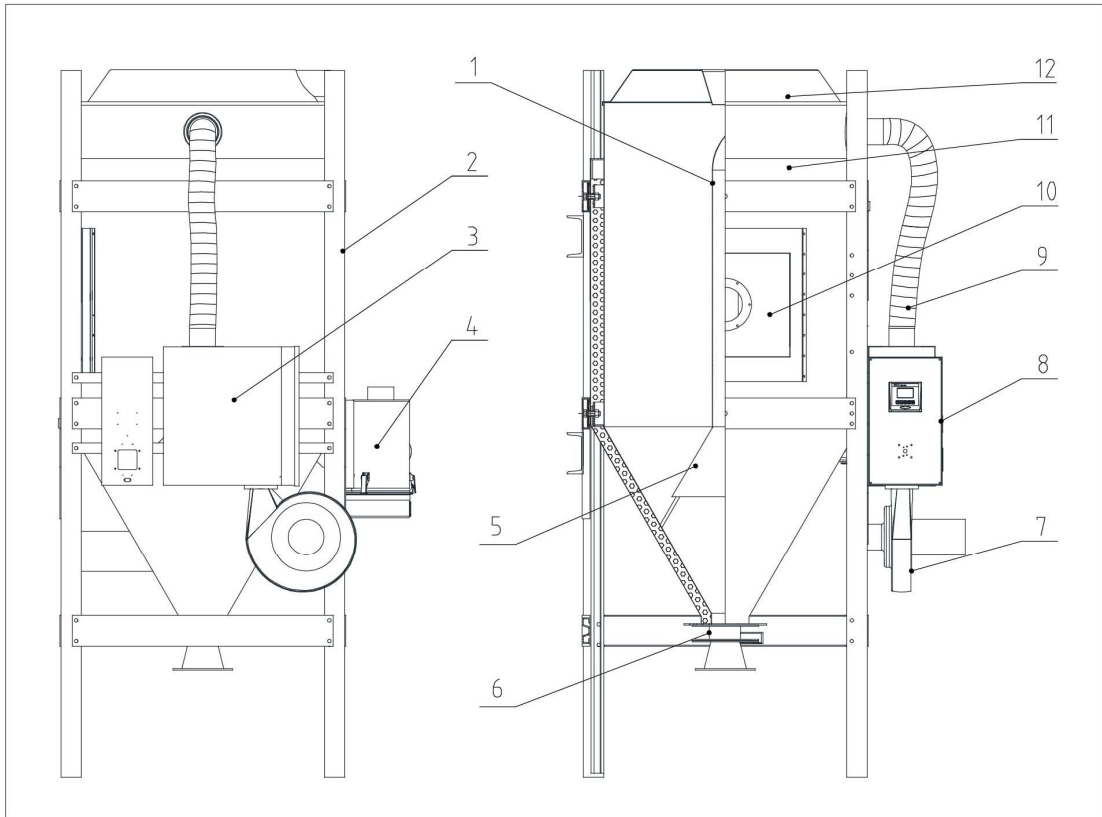
# 1. Structural Drawing (SHD-20U~750U)



### Names of Parts:

- |                                |                      |                            |
|--------------------------------|----------------------|----------------------------|
| 1. Standard base               | 2. Control box       | 3. Electric heating box    |
| 4. Material storage tank       | 5. Hopper cover      | 6. Drying blower           |
| 7. Sight glass door components | 8. Down-blowing pipe | 9. Heat-resistant air pipe |

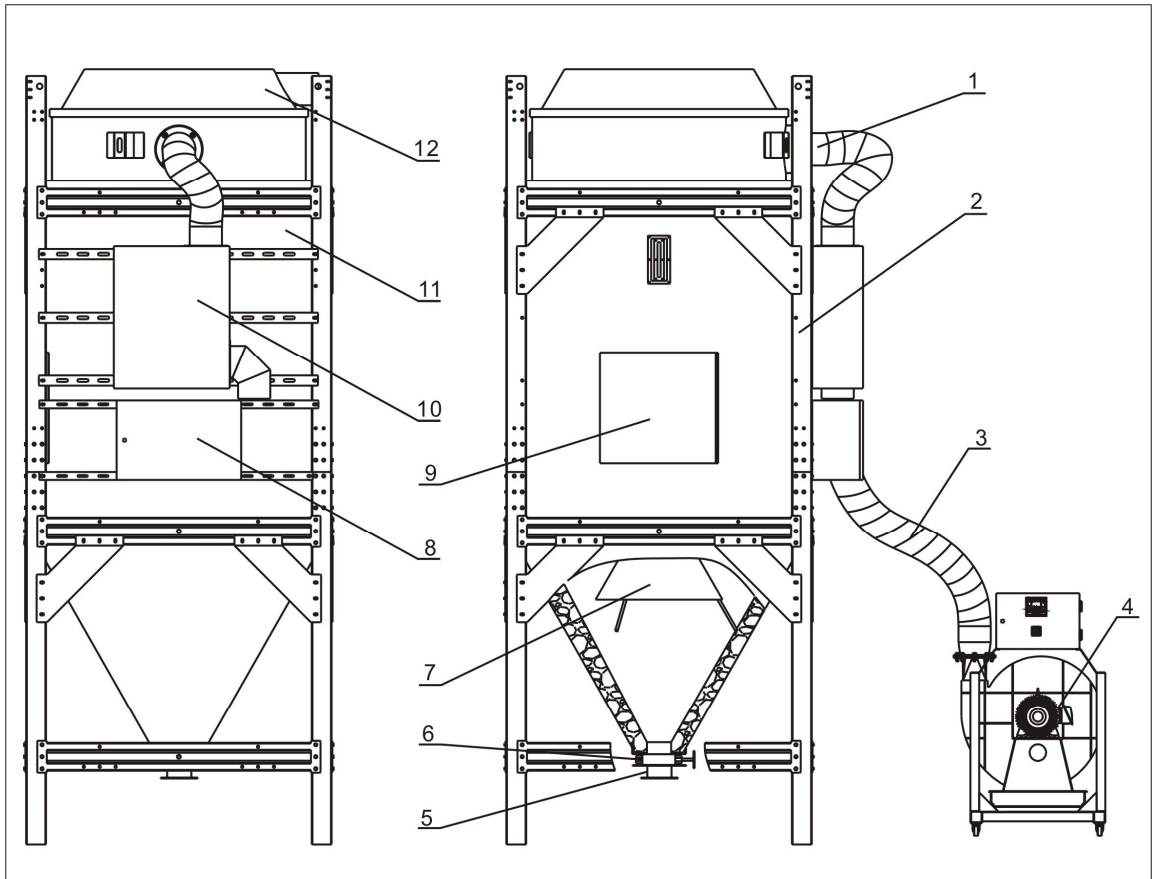
## 2. Structural Drawing(SHD-900U~1200U)



### Names of Parts:

- |                       |                            |                            |
|-----------------------|----------------------------|----------------------------|
| 1. Down-blow air pipe | 2. Floor stand             | 3. Heating case            |
| 4. Hot-air recycler   | 5. Down-blow air pipe bell | 6. Manual butterfly valve  |
| 7. Drying blower      | 8. Control box             | 9. Heat-resistant air pipe |
| 10. Cleaning door     | 11. Storage hopper         | 12. Hopper cover           |

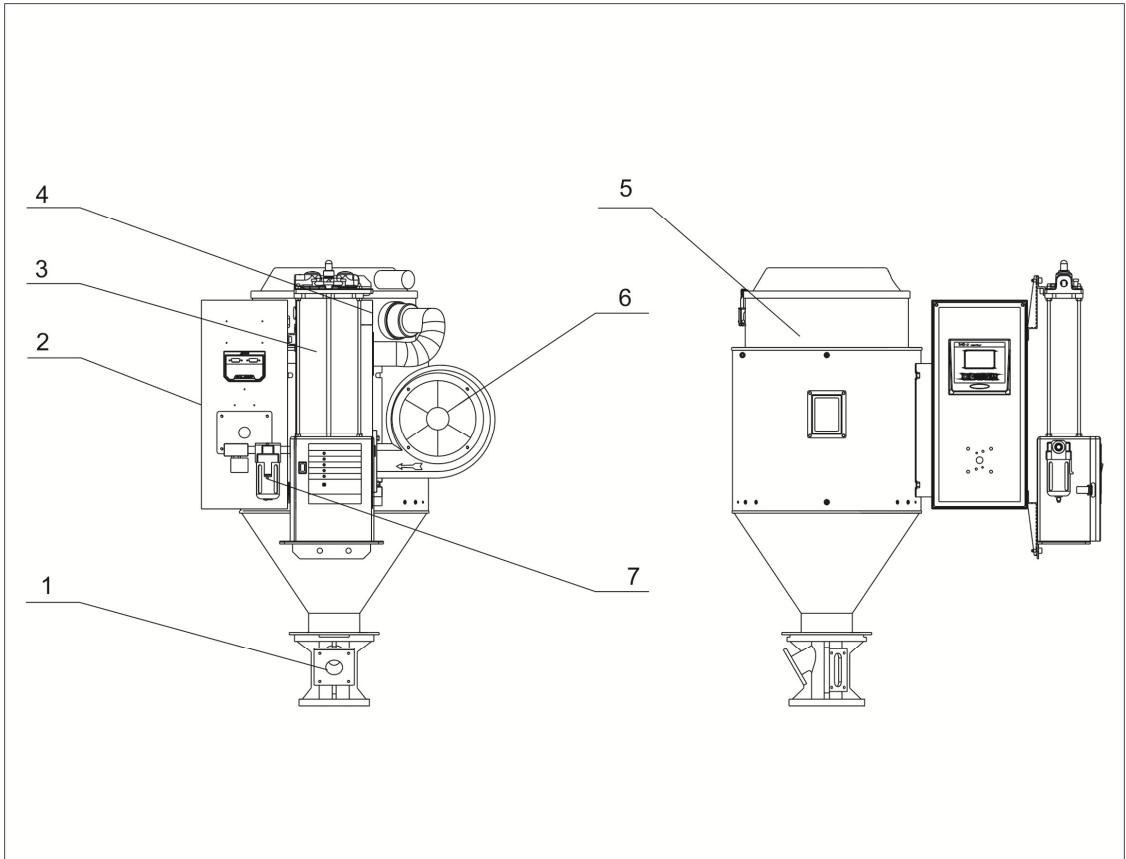
### 3. Structural Drawing(SHD-1500U~8000U)



#### Names of Parts:

- |                            |                    |                            |
|----------------------------|--------------------|----------------------------|
| 1. Down-blow air pipe      | 2. Floor stand     | 3. Heat-resistant air pipe |
| 4. Drying blower           | 5. Adaptor flange  | 6. Manual butterfly valve  |
| 7. Down-blow air pipe bell | 8. Control box     | 9. Cleaning door           |
| 10. Heating case           | 11. Storage hopper | 12. Hopper cover           |

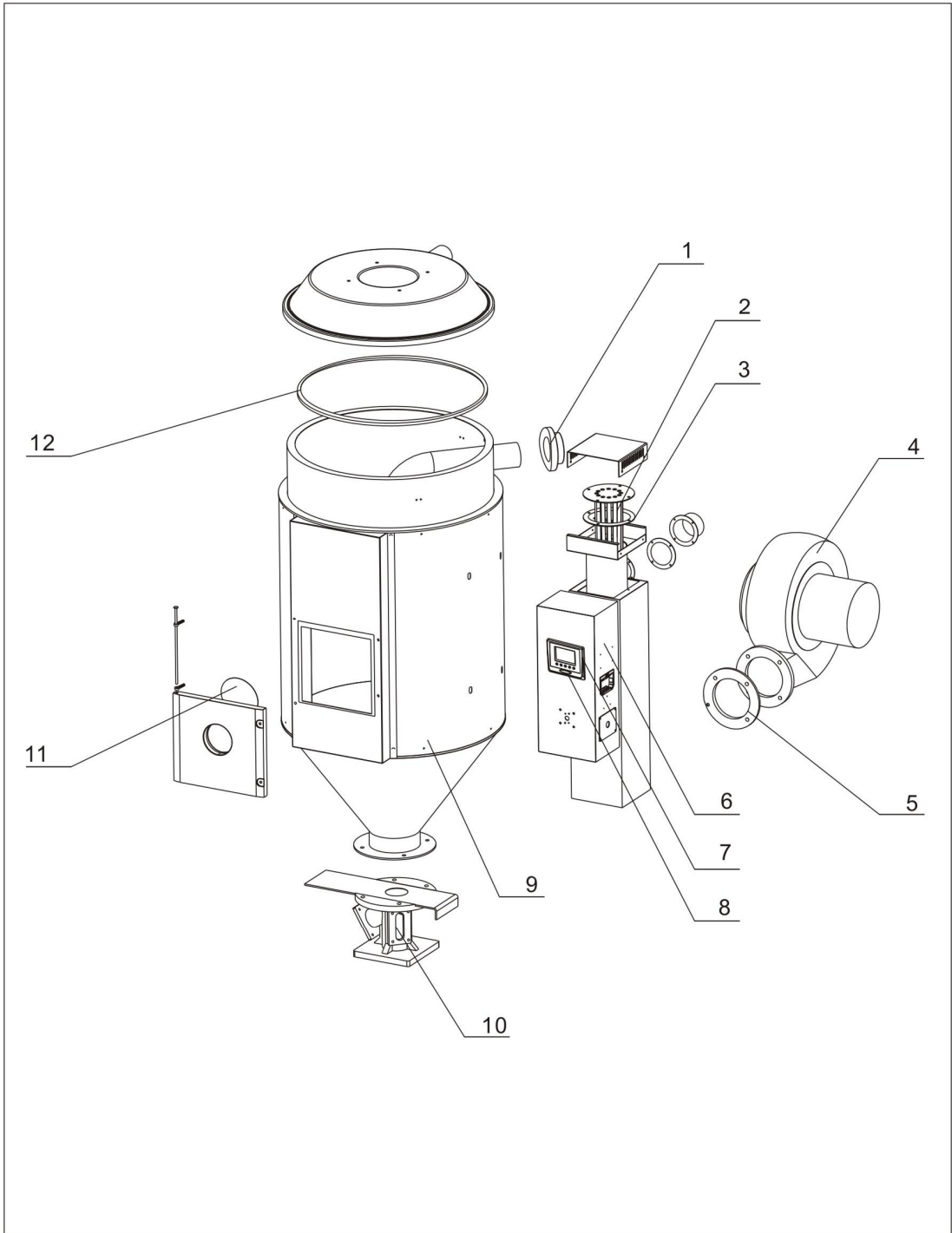
#### 4. Structural Drawing(SHD-40U~230U-HD)



##### Names of Parts:

- |                          |                   |   |
|--------------------------|-------------------|---|
| 1. Standard base         | 2. Control box    | 3. Heatless dehumidifying hot-air dryer |
| 4. Heating tank          | 5. Storage hopper | 6. Drying blower                        |
| 7. Inlet oil mist filter |                   |   |

### 5. Assembly Drawing(SHD-20U~750U)



Remarks: Please refer to material list 6 for specific explanation of the Arabic numbers in parts drawing.

## 6. Parts List(SHD-20U~750U)

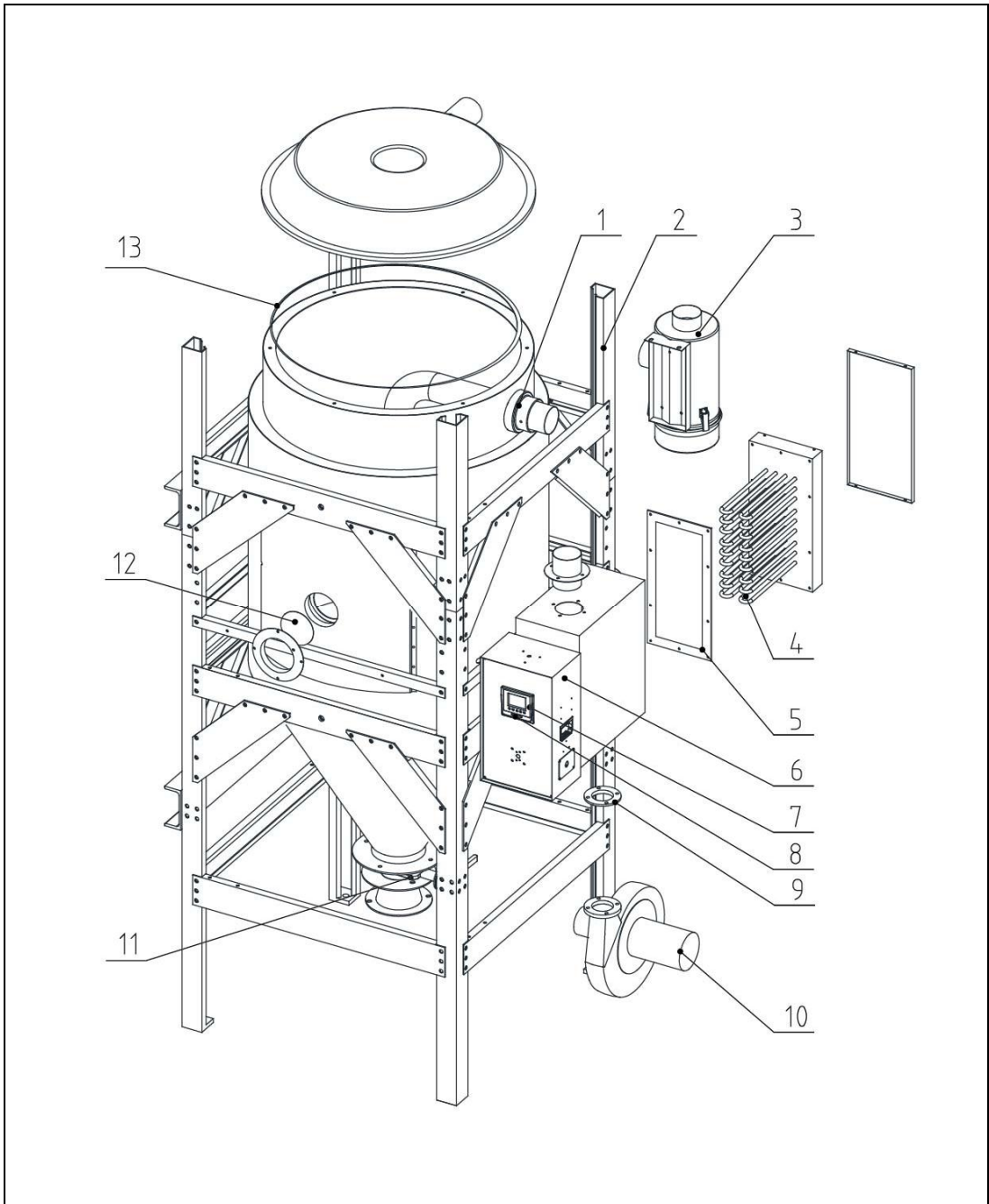
No.	Name	Part No.			
		SHD-20U	SHD-40U	SHD-80U	
1	Air inlet flange	BW21020400010	BW21020400010	BW21081200010	
2	Pipe heater*	BH70202200050	BH70400300350	BH70803900250	
3	Heating tank silica gel fastener **	YR10141100000	YR10141100000	YR10151200000	
4	Drying blower*	BM40001500500	BM40025300450	BM40338000050	
5	Blower fastener **	YR10001200600	YR10001200600	YR10141100000	
6	Control box	BH31002001150	BH31004001150	BH31008001150	
7	Control box	YR40400200000	YR40400200000	YR40400200000	
8	Lampshade	YR90441300000	YR90441300000	YR90441300000	
9	Metal plate	BK02002009520	BK02004009520	BK02008009520	
10	Base combination	BY10012003150	BY10050003150	BY10050003150	
11	Sight glass	BR90204000010	BR90204000010	YW70102000000	
12	Hopper cover fastener**	YR10002500100	YR10002500100	YR10005000100	
No.	Name	Part No.			
		SHD-120U	SHD-160U	SHD-230U	
1	Air inlet flange	BW21081200010	BW21164500010	BW21164500010	
2	Pipe heater*	BH70123900150	BH70160600250	BH70230600250	
3	Heating tank silica gel fastener **	YR10151200000	YR10161200000	YR10161200000	
4	Drying blower*	BM40338000050	BM40000450050	BM40000450050	
5	Blower fastener **	YR10141100000	YR10010000600	YR10010000600	
6	Control box	BH31008001150	BH31162300250	BH31162300250	
7	Control box	YR40400200000	YR40400200000	YR40400200000	
8	Lampshade	YR90441300000	YR90441300000	YR90441300000	
9	Metal plate	BK02012009520	BK02160001620	BK02023009520	
10	Base combination	BY10050003150	BY10020003150	BY10020003150	
11	Sight glass	YW70102000000	YW70102000000	YW70102000000	
12	Hopper cover fastener**	YR10005000100	YR10010040000	YR10010040000	
No.	Name	Part No.			
		SHD-300U	SHD-450U	SHD-600U	SHD-750U
1	Air inlet flange	BW21164500010	BW21164500110	BW21601200010	BW21601200010
2	Pipe heater*	BH70301200150	BH70451200250	BH70601800250	BH70751800250
3	Heating tank silica gel fastener **	YR10161200000	YR10161200000	YR10607500100	YR10607500100
4	Drying blower*	BM40538000050	BM40538000050	BM30055000060	BM30055000060

5	Blower fastener **	YR10020000600	YR10020000600	YR10001200600	YR10001200600
6	Control box	BH31030008450	BH31030008450	BH31060006450	BH31060006450
7	Control box	YR40400200000	YR40400200000	YR40400200000	YR40400200000
8	Lampshade	YR90441300000	YR90441300000	YR90441300000	YR90441300000
9	Metal plate	BK02030009520	BK02045009520	BK02060009520	BK02075009520
10	Base combination	BY10020003150	BY10020003150	BY10400000050	BY10400000050
11	Sight glass	YW70406000000	YW70406000000	YW70406000000	YW70406000000
12	Hopper cover fastener**	YR10010040000	YR10010040000	YR10010040000	YR10010040000

\* means possible broken parts. \*\* means easy broken part. and spare backup is suggested.

Please confirm the version of manual before placing the purchase order to guarantee that the item number of the spare part is in accordance with the real object.

## 7. Assembly Drawing(SHD-900U/1200U)



Remarks: Please refer to material list 8 for specific explanation of the Arabic numbers in parts drawing.



## 8. Parts List(SHD-900U/1200U)

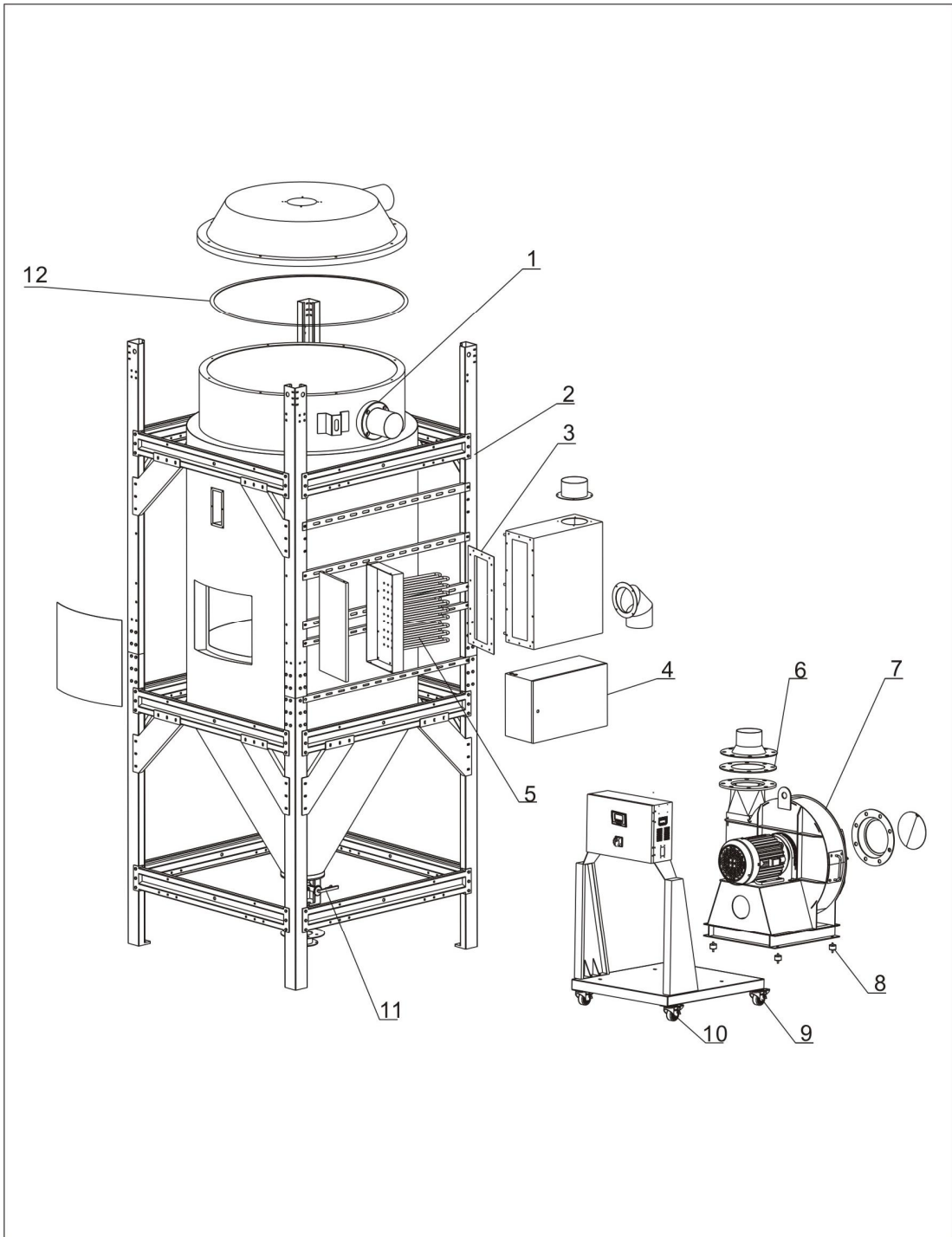
No.	Name	Part No.	
		SHD-900U	SHD-1200U
1	Air inlet flange	BW21601200010	BW21601200010
2	Rack metal plate	BK02090009520	BK02120009520
3	Hot air recycler	BY10090000350	BY10120200050
4	Pipe heater*	BH70090000850	BH70120000850
5	Heating tank silica gel fastener **	YR10350040000	YR10350040000
6	Control box	BH31090001150	BH31120001450
7	Control box	YR40400200000	YR40400200000
8	Lampshade	YR90441300000	YR90441300000
9	Blower fastener **	YR10001200600	YR10161200000
10	Drying blower*	BM30055000060	BM30113230050
11	Manual butterfly valve	YW59418000000	YW59418000000
12	Reinforced glass	YW70406000000	YW70406000000
13	Hopper cover fastener**	YR10010040100	YR10010040100

\* means possible broken parts.

\*\* means easy broken part. and spare backup is suggested.

Please confirm the version of manual before placing the purchase order to guarantee that the item number of the spare part is in accordance with the real object.

### 9. Assembly Drawing(SHD-1500U~8000U)



Remarks: Please refer to material list 10 for specific explanation of the Arabic numbers in parts drawing.

## 10. Parts List(SHD-1500U~8000U)

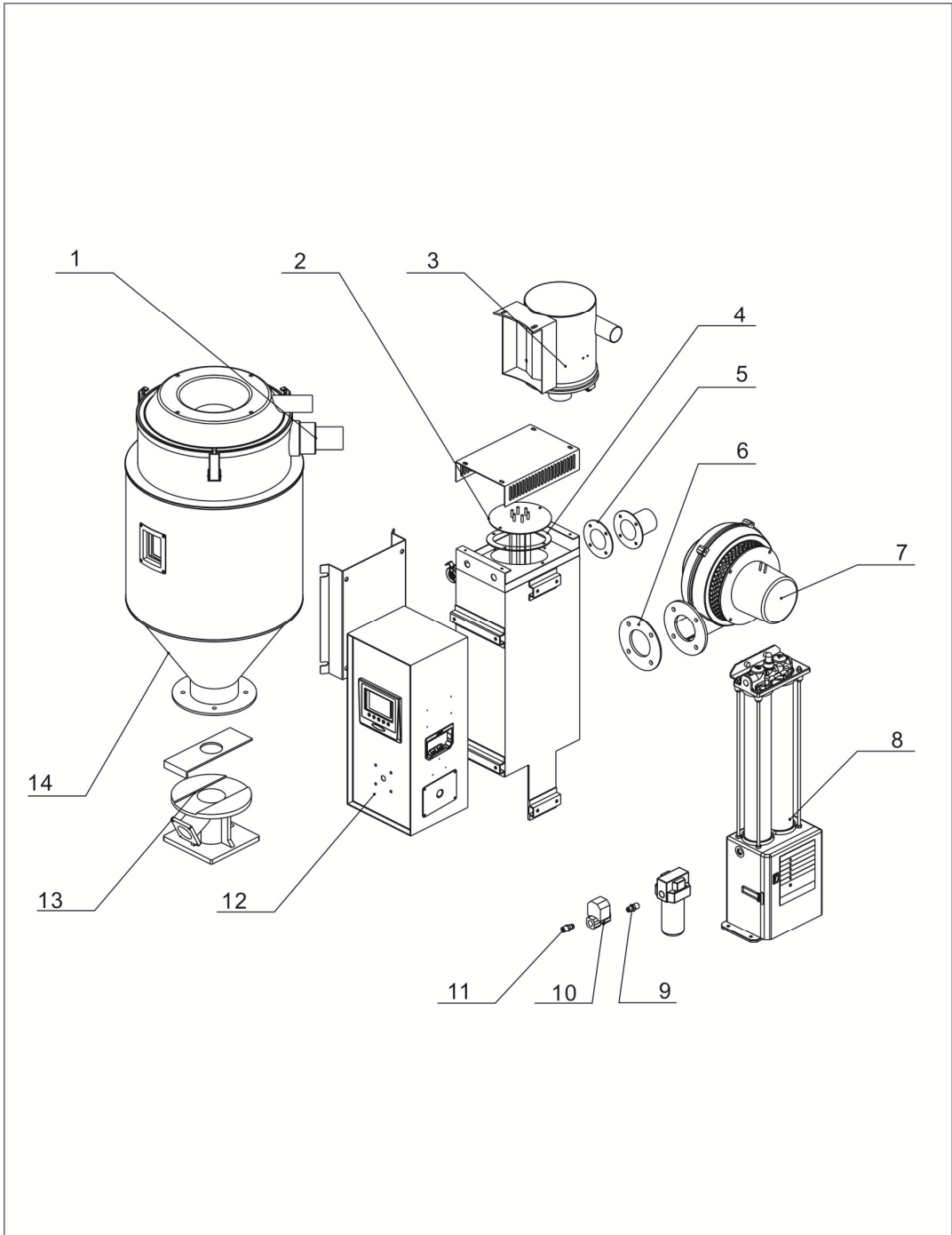
No.	Name	Part No.		
		SHD-1500U	SHD-2000U	SHD-2500U
1	Air inlet flange	BW21152500010	BW21152500010	BH13350000910
2	Rack metal plate	BK02150009520	BK02200009520	BK02250009520
3	Heating tank silica gel fastener **	YR10350040000	YR10350040000	YR10350040000
4	Control box	BH31150001150	BH31150001150	BH31250001450
5	Pipe heater*	BH70150000850	BH70150000850	BH70250000850
6	Blower fastener **	YR10350040000	YR10350040000	YR10350040000
7	Drying blower*	YM30015001600	YM30015001600	BM30554500050
8	Motor anti-vibration pad	-	-	YW03536000000
9	Movable castor	YW03000300000	YW03000300000	YW03000300000
10	Fixed castor	YW03000301100	YW03000301100	YW03000301100
11	Control box	YR40400200000	YR40400200000	YR40400200000
12	Lampshade	YR90441300000	YR90441300000	YR90441300000
13	Manual butterfly valve	YW59518000000	YW59518000000	YW59518000000
14	Hopper cover fastener**	YR10010040100	YR10010040100	YR10010040100
No.	Name	Part No.		
		SHD-3000U	SHD-3500U	SHD-4000U
1	Air inlet flange	BH13350000910	BH13350000910	BW21413000010
2	Rack metal plate	BK02300009520	BK02350009520	BK02400009520
3	Heating tank silica gel fastener **	YR10350040000	YR10350040000	YR10350040000
4	Control box	BH31250001450	BH31350001150	BH31350001150
5	Pipe heater*	BH70250000850	BH70350000850	BH70350000850
6	Blower fastener **	YR10350040000	YR10350040000	YR10350040000
7	Drying blower*	BM30554500050	BM30754500050	BM30754500050
8	Motor anti-vibration pad	YW03536000000	YW03536000000	YW03536000000
9	Movable castor	YW03000300000	YW03000300000	YW03000300000
10	Fixed castor	YW03000301100	YW03000301100	YW03000301100
11	Control box	YR40400200000	YR40400200000	YR40400200000
12	Lampshade	YR90441300000	YR90441300000	YR90441300000
13	Manual butterfly valve	YW59518000000	YW59518000000	YW59618000000
14	Hopper cover	YR10010040100	YR10010040100	YR10010040100

No.	Name	Part No.			
		SHD-5000U	SHD-6000U	SHD-7000U	SHD-8000U
		1	Air outlet flange	BW21413000010	BW21600000010
2	Rack metal plate	BK02500009520	BK02600009520	-	BK02800009520
3	Heating tank silica gel fastener **	YR10350040000	YR10350040000	YR10350040000	YR10350040000
4	Control box	BH31500001150	BH31600001150	-	BH31800001150
5	Pipe heater*	BH70500000850	BH70600000850	BH70600000850	BH70800000850
6	Blower fastener **	YR10350040000	YR10350040000	YR10350040000	YR10350040000
7	Drying blower*	YM30001100000	YM30001500000	-	YM30223400000
8	Motor anti-vibration pad	YW03536000000	YW03536000000	YW03536000000	YW03536000000
9	Movable castor	YW03000300000	YW03000300000	YW03000300000	YW03147500000
10	Fixed castor	YW03000301100	YW03000301100	YW03000301100	YW03147500000
11	Control box	YR40400200000	YR40400200000	YR40400200000	YR40400200000
12	Lampshade	YR90441300000	YR90441300000	YR90441300000	YR90441300000
13	Manual butterfly valve	YW59618000000	YW59618000000	YW59618000000	YW59618000000
14	Hopper cover fastener**	YR10010040100	YR10010040100	YR10010040100	YR10010040100

\* means possible broken parts. \*\* means easy broken part. and spare backup is suggested.

Please confirm the version of manual before placing the purchase order to guarantee that the item number of the spare part is in accordance with the real object.

# 11. Assembly Drawing(SHD-40U~230U-HD)



Remarks: Please refer to material list 12 for specific explanation of the Arabic numbers in parts drawing.

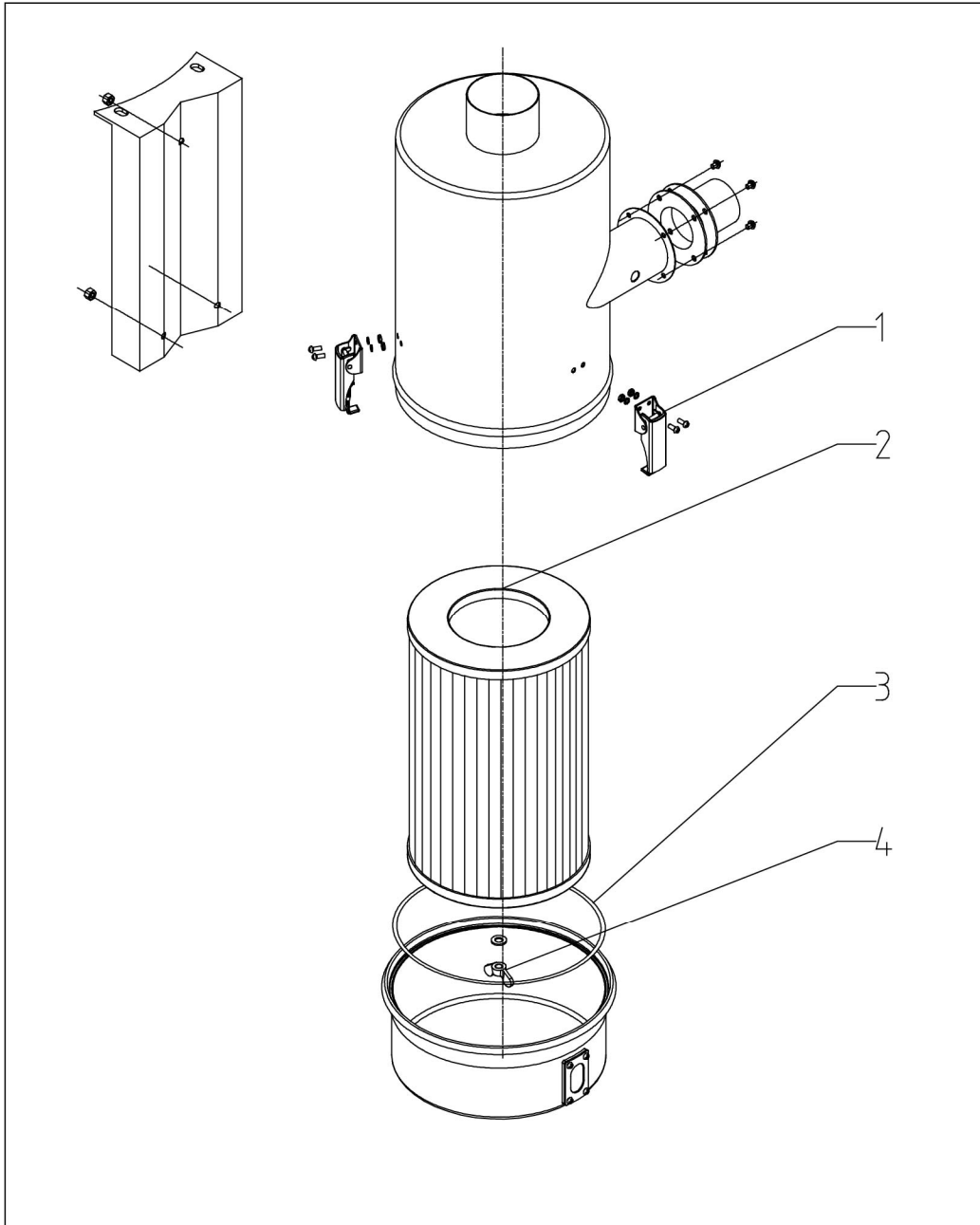
## 12. Parts List(SHD-40U~230U-HD)

No.	Name	Part No.	
		SHD-40U-HD	SHD-80U-HD
1	Air inlet flange	BW21020400010	BW21081200010
2	Pipe heater*	BH70400300350	BH70803900250
3	Hot air recycler (Option)	BY10004001550	BY10008000350
4	Heating tank silica gel fastener **	YR10141100000	YR10151200000
5	Air outlet fastener of heating case *	YR10350040000	YR10350040000
6	Blower fastener **	YR10001200600	YR10141100000
7	Drying blower*	BM40025300450	BM40338000050
8	Heatless Dehumidifying Hot-air Dryer	BY90106600050	BY90106600050
9	Pipe coupler	BH12010400310	BH12010400310
10	Solenoid valve**	YE32331000000	YE32331000000
11	Air pipe connector	YW80031400000	YW80031400000
12	Control box	BH31000401150	BH31801201150
13	Base combination	BY10040000050	BY10040000050
14	Rack metal plate	BK02000409520	BK02000809520
No.	Name	Part No.	
		SHD-120U-HD	SHD-230U-HD
1	Air inlet flange	BW21081200010	BW21164500010
2	Pipe heater*	BH70123900150	BH70230600250
3	Hot air recycler (Option)	BY10008000350	BY10016000450
4	Heating tank silica gel fastener **	YR10151200000	YR10161200000
5	Air outlet fastener of heating case *	YR10350040000	YR10008001200
6	Blower fastener **	YR10141100000	YR10010000600
7	Drying blower*	BM40338000050	BM40000450850
8	Heatless Dehumidifying Hot-air Dryer	BY90206600050	BY90035600050
9	Pipe coupler	BH12010400310	BH12010400310
10	Solenoid valve**	YE32331000000	YE60354000000
11	Air pipe connector	YW80031400000	YW80031400000
12	Control box	BH31801201150	BH31002301150
13	Base combination	BY10040000050	BY10020003250
14	Rack metal plate	BK02001209520	BK02002309520

\* means possible broken parts. \*\* means easy broken part. and spare backup is suggested.

Please confirm the version of manual before placing the purchase order to guarantee that the item number of the spare part is in accordance with the real object.

### 13. Assembly Drawing (HAR/AIF/ADC)



Remarks: Please refer to material list 14 for specific explanation of the Arabic numbers in parts drawing.

### 14.Parts List(HAR/ADC/AIF-20U~6000U)

No.	Name	Part No.			
		HAR/ADC/AIF	-20U	-40U	-80U
1	Spring clip		YW02003000400	YW02003000400	YW02003000400
2	Filter*		YR50400100000	YR50400100000	YR50181100000
3	Filter fastener		YR10016000000	YR10016000000	YR10080000300
4	Butterfly nut		YW69051600000	YW69051600000	YW69051600000
No.	Name	Part No.			
		HAR/ADC/AIF	-160U	-400U	-600U
1	Spring clip		YW02003000400	YW0200300400	YW02003000400
2	Filter*		YR50181100000	YR50181100000	YR50181100000
3	Filter fastener		YR10080000300	YR10080000300	YR10080000300
4	Butterfly nut		YW69051600000	YW69051600000	YW69051600000
No.	Name	Part No.			
		HAR/ADC/AIF	-900U	-1200U	-1500U
1	Spring clip		YW02003000400	YW02003000400	YW00121000400
2	Filter*		YR50181100000	YR50181100000	YR50241400100
3	Filter fastener		YR10080000300	YR10080000300	YR10002500200
4	Butterfly nut		YW69051600000	YW69051600000	YW69051600000
No.	Name	Part No.			
		HAR/ADC/AIF	-2500U	-4000U	-6000U
1	Spring clip		YW00121000400	YW00121000400	YW00121000400
2	Filter*		YR50275700000	YR50277500000	YR50550000000
3	Filter fastener		YR10002500200	YR10002500200	YR10005000200
4	Butterfly nut		YW69051600000	YW69051600000	YW69051600000

\* means possible broken parts. \*\* means easy broken part. and spare backup is suggested.