

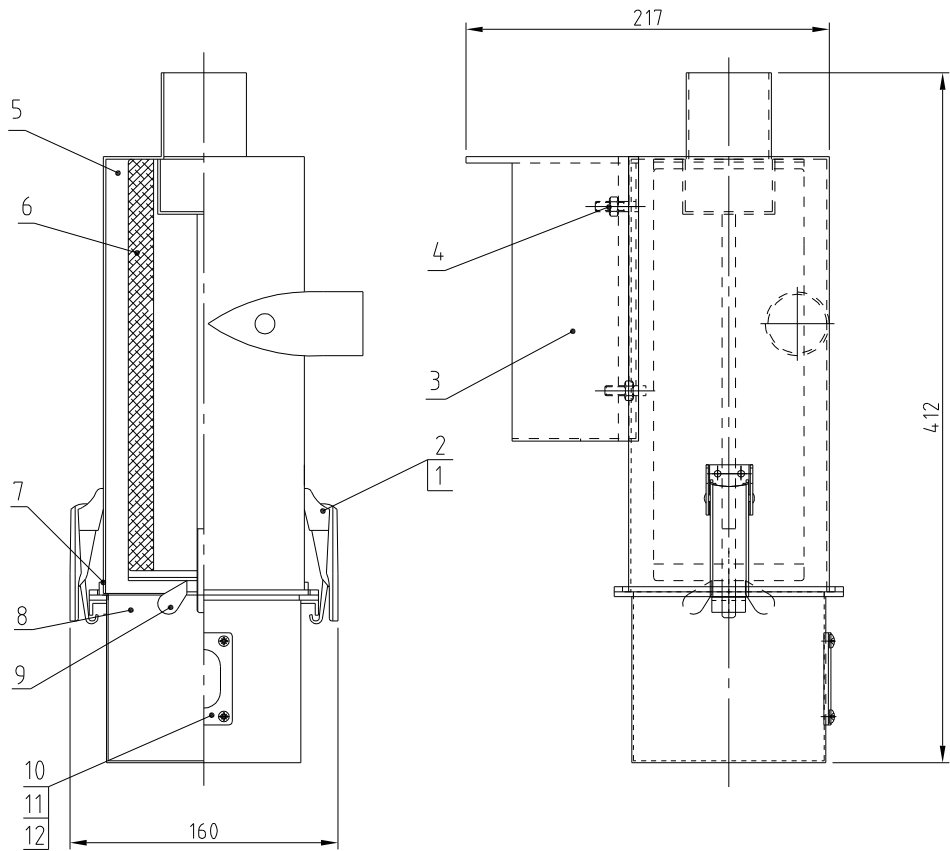
"x" indicates the items that may be damaged, "x x" indicates the items that are more likely to be damaged.
It is recommended to back them up.
Please confirm the version number of the instruction manual before placing an order to purchase spare parts, so as to ensure that the material number of spare parts is consistent with the physical one.

Discharge port diameter	Blower power	Heater power	Ver.
2inch	0.12KW	3KW	Ver.F
Inlet air volume of dehumidifier	Outlet pipe diameter	Inlet pipe diameter	Hopper capacity
0.1m ³ /min	1.5inch	2inch	40L

43	SHD-40U-HD-03	External heating case		1	
42	BH10002001460	Kit of regular flange part (See main manual)		1	
41	SHD-40U-HD-05	Blower air inlet flange		1	
40	SHD-20U-A-42	Heating case air outlet flange	SUS201	1	
39	YR60000600400	PU air pipe 40Φ×4 black 2000/roll		1	
38	YW800614.00200	1 core connector 80Φ×14 14-Φ6(1.5) 10' (stock)		1	
37	HAR-40U-B-ALL	Return air filter		1	
36	YW020002000000	Heat exchanger (See main manual)		2	
35	YW72153600000	Heat exchanger (See main manual)		0.25	
34	BL0220124.04.20	Inlet sealing plate SHD-20U-A-12	SPCC3.0	1	
33	SHD-40U-HD-01	Dryer fixing plate		2	
32	SHD-40U-HD-07	Heatless HCU adaptor flange 02	SPCC3.0	1	
31	BY900106000250	Heatless HCU adaptor flange 01		1	
30	SHD-40U-HD-06	Heatless HCU adaptor flange 01	SPCC2.0	1	
29	SHD-40U-A-03	heating case fixed plate		1	
28	YP60252000000	Down-blow pipe		0.05	
27	SHD-40U-A-08	Down-blow pipe	SUS201	1	
26	SHD-40U-A-16	Sight glass door	SUS201	1	
25	BR90204.0000010	Sight glass door glass SHD-20U-A-34		1	*
24	SHD-40U-A-14	Insulation board	SUS430	1	
23	BY10050003150	Standard base assembly TB-50 (Ver.B)		1	
22	SHD-40U-A-04	External hopper		1	
21	BH704.00300350	Pipe heater SHD-40U(300)3Φ400V		1	*
20	YP6282014.0000	Flange part (See main manual)		0.017	
19	YE67201500100	Flange part (See main manual)		1	
18	BL500160000220	Heat exchanger (See main manual)		1	
17	SHD-40U-A-07	Hot air pipe		1	
16	SHD-20U-A-33	Base plate of control box	SECC15	1	
15	SHD-20U-A-32	Control box door	SPCC15	1	
14	SHD-40U-HD-02	control box		1	
13	SHD-20U-A-05	Heating case cover	SPCC15	1	
12	YR1014.1100000	Heat exchanger (See main manual)		1	
11	YE90055501300	Heat exchanger (See main manual)		1	
10	YW0200025000000	Heat exchanger (See main manual)		4	
9	YW720236000000	Heat exchanger (See main manual)		0.362	
8	BW72203700010	Heat exchanger (See main manual)		1	
7	YR10001200600	Heat exchanger (See main manual)		1	
6	BM4.0025300850	Heat exchanger (See main manual)		1	
5	YW69050100000	Heat exchanger (See main manual)		6	
4	YW020030004.00	Adjustable spring bracket SHD-20U-A-13(Ver.C)		3	
3	SHD-40U-A-13	Material storage tank		1	
2	YR10002500100	Cover flange SHD-20U-A-13(Ver.C)		1	
1	SHD-40U-A-09	Hopper cover	SUS304	1	

序号	代号	名称	材质	数量	备注
		制图			
		设计			
		校对			
		审核			
标记	更改前	更改后	更改人	日期	日期
					2024.05.24
标题		SHD-40U-HD	图号		
		欧化无热除湿料斗干燥机	SHD-40U-HD-ALL		
			比例	1:8	数量
					1
			表面要求	/	
			物料号	/	

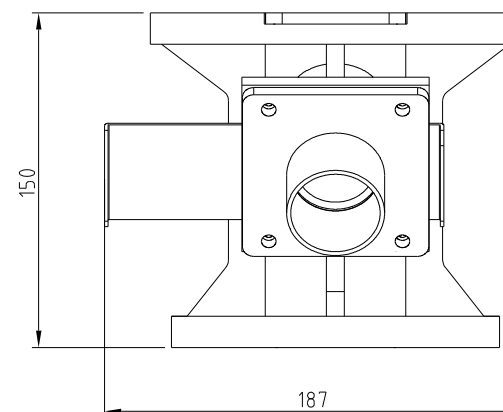
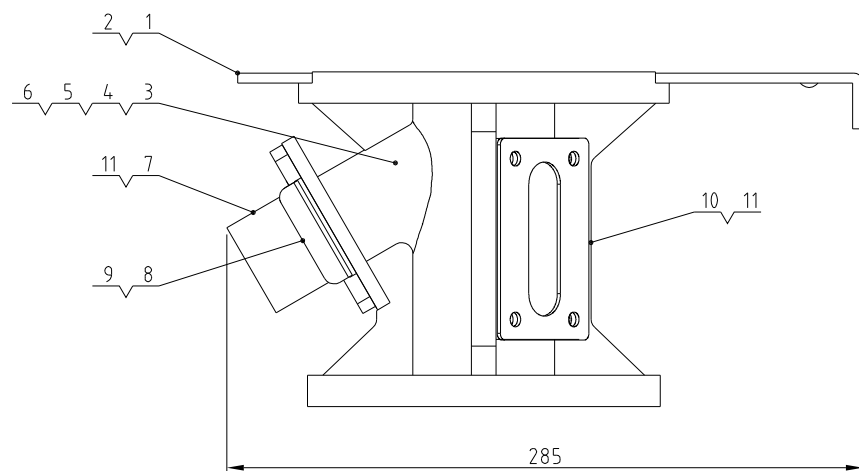




* means possible broken parts.
 ** means easy broken part, and spare backup is suggested.
 Please confirm the version of manual before placing the purchase order to guarantee that the item number of the spare part is in accordance with the real object.

12	YW62041200000	Flat head screw M4×12	Longzine	4	
11	HAR-80U-A-07	Sight glass	SUS201(15)	1	
10	BH14800900010	Acryl	organic glass	1	※
9	YW69051600000	Butterfly nut 5/16"		1	
8	HAR-40U-B-03	Dust collective hopper		1	
7	YR10016000000	Filter barrel fastener $\phi 160$	Rubber	1	
6	HAR-40U-B-01	Filter		1	※
5	HAR-40U-B-02	Filter barrel		1	
4	YW64000600300	Hex. nut M6	Longzine	3	
3	HAR-40U-B-04	Filter barrel fixed plate	SPCC15	1	
2	YW64040700100	Hexagon nut M4(anti-loose)		4	
1	YW02003000400	Spring buckle (New adjustable)		2	
序号	代号	名称	材质	数量	备注

					制图		版号	0	标题	HAR-40U	图号		比例	1:4	数量	1
					设计		核准			回风过滤器		HAR-40U-B-ALL			材质	/
					校对								表面要求			/
标记	更改前	更改后	更改人	日期	审核		日期	20150929		信易電熱機械股份有限公司 Shini Plastics Technologies, Inc.		物料号				/



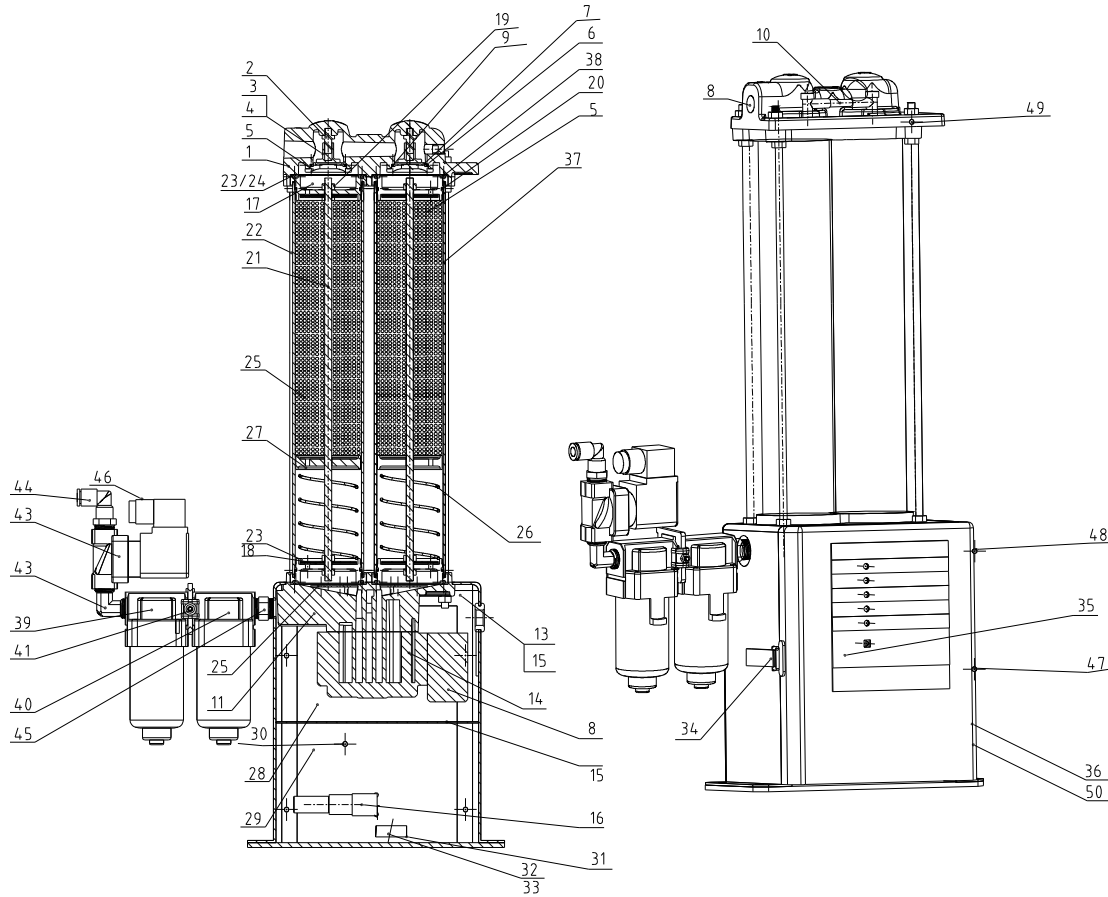
11	YW62051500000	Large cross socket flat head screw JIS1111 M6x16-Longzine	8		
10	YR90854800000	Four hole eight glass B549400(Φ12.4×H) (Ver. 0) Material: PC	1	*	
9	YW69616100000	Hand screw M6*16*16	1		
8	YW09125000000	Small shut-off plate H-310 Thickness 1.4mm H-314 H (Ver. 0) (has mold)	1		
7	YA10005000100	Material discharge part (with mold) S20-30-ALL-01(Ver. 0)	1		
6	YW66082200100	Large washer C grade GB7393(8.4x24x2)-Longzine	4		
5	YW65008000100	Standard spring washer GB7393 8 Longzine	4		
4	YW60083500000	Hexagon head bolt GB75781 M6x35-L 8-Longzine	4		
3	BA20150001510	Standard base H-30-A-H (Version 0) (Processed) (with mold)	1		
2	YW61061001800	Hexagon socket head screw GB7017 M6x10-A2-70(SSS)	1		
1	YW09255000000	Large shut-off plate H-30-A-02(Ver. 0) (has mold)	1		
序号	代号	名称	材质	数量	备注

* means possible broken parts.

** means easy broken part. and spare backup is suggested.

Please confirm the version of manual before placing the purchase order to guarantee that the item number of the spare part is in accordance with the real object.

					制图		版号	0	标题	HB-50	图号	HB-50-A-ALL	比例	1:3	数量	1
					设计		核准		标准底座				⊕	⊕	材质	/
					校对								表面要求		/	
标记	更改前	更改后	更改人	日期	审核		日期	20231225	SHINI	信易电热机械股份有限公司 Shini Plastics Technologies, Inc.			物料号	BY10050003150		



50	YW69050400000	Open-type flat round 4*10-12-70	SUS304	8	Purchase
49	YW61061200000	Inner hexagon cylinder head screw M6*12-12.9	Longzinc	3	Purchase
48	YW69035800000	Cross socket head tapping screw ST3.5*8	Longzinc	7	Purchase
47	YE51802340000	Power plug wire MG-002/3P/10A/250V3C Black		1	Purchase
46	YE67001100000	Wire lock head PG11		1	Purchase
45	BH12030800110	Copper connector 3/8PT*3/8PT (S-07)	HE2	1	Purchase
44	YW80083800200	L thread connector APL8-03 3/8-08		1	Purchase
43	YE32213100000	Solenoid valve 3/8 coil type 220VAC model YDZ131-100		1	Purchase
42	YW04030800100	Copper connector 3/8 inch * 3/8 inch L-shaped		1	Purchase
41	YW09030001500	Insulated plate (X) T300-1	SMC	1	Purchase
40	YR50300300600	Oil mist separator APD30-03D-1	SMC	1	Purchase
39	YR50300300700	Oil mist separator APH30-03D-1	SMC	1	Purchase
38	YR20553000000	O-ring inner diameter Ø 65 section Ø 3		4	Purchase
37	BH13016110010	Adsorption cylinder HAD-0106-06-A-07	ACAD	2	mechanism
36	YW06000200000	Stainless steel hinge 2"	SUS	2	Purchase
35	YE80011800000	Heatless operation panel		1	Purchase
34		Control box hook/buckle		1	Purchase
33	YEF00000039000	Terminal fittings E/GK series		2	Purchase
32	YEF00025032000	Spring wiring terminal SH2.5		6	Purchase
31	YE90660100000	Guide rail H66-TM1		0.075	
30	YW61030600100	Cross socket counter sunk head screw M3*6	Longzinc	8	Purchase
29	YEF00505400000	Heatless circuit board AP-01		1	Purchase
28	BK90106600021	Sheet metal parts HAD-0106-06		1	Metal plate
27	YR40106630000	Adsorption cylinder inner sleeve HAD-0106-06-A-08	Nylon	2	Purchase
26	YW01508000000	Spring Ø 50 * 80 wire diameter 2	SUS304	2	Purchase
25	YP90040800000	Molecular sieve 4#		1KG	Purchase
24	YW64000600300	Hexagon nut GB/T6170M6	Longzinc	22	Purchase
23	YW66061200000	Flat washer A grade GB/T91.1 (6.4) 12.1 Ø-70	SUS304	22	Purchase
22	YW90020100100	Double-head screw Ø2 HAD-0106-06-A-06	SUS304	4	Purchase
21	YW90010100200	Double-head screw Ø1 HAD-0106-06-A-05	SUS304	2	Purchase
20	YR20552500100	O-ring inner diameter 61.5, outer diameter 2.05mm	Fluororubber	4	Purchase
19	YW67040600600	Cross socket pan head self-tapping lock screw M4*6	Longzinc	18	Purchase
18	YP62100660000	Filter cotton HAD-0106-06-A-10	Sponge	0.001	Purchase
17	BH13016130010	Adsorption tube sleeve HAD-0106-06-A-04	ADC12	4	mechanism
16	YW90660000000	Silencer ANB1-CM6	SMC	1	Purchase
15	YW52086000000	Reducing direct connection AP08-6	Air TAC	1	Purchase
14	YEF03540000000	Solenoid valve YFS3110-5B		1	Purchase
13	YR60000800000	PU air pipe Ø20*26 black	Plastic	0.22M	Purchase
12	YW80081400000	Thread direct connector APC08-02 1/4-08	Air TAC	1	Purchase
11	BH13006180010	Adsorption cylinder inner end cover HAD-0106-06-A-03	T6001	1	mechanism
10	BH12106200010	Copper air pipe HAD-0106-06-A-15	HE2	1	mechanism
9	YW80601120000	External hexagonal joint APH6-01		2	Purchase
8	YE30830000000	One-way throttle valve A7F8-03 3/8-#8 Exhaust type	Air TAC	1	Purchase
7	YW63040600000	Cross recessed pan head screw GB/T818M4X6	Longzinc	6	Purchase
6	YR20236200000	O-ring inner diameter 51.5, outer diameter 2.65V	Fluororubber	2	Purchase
5	BH13106500010	Air inlet locating plate HAD-0106-06-A-22	SPECL.0	2	Metal plate
4	BH12010660010	Check valve copper inner sleeve	HE2	2	mechanism
3	BH12168900040	Check valve HAD with insulator		2	Purchase
2	BH10010600010	Valve sleeve HAD-0106-06-A-01	SUS304	2	mechanism
1	BH13076700010	Adsorption cylinder upper end cover HAD-0106-06-A-13		1	mechanism

序号	代号	名称	材质	数量	备注
		标题 无热式HAD-0106-06 图号	比例 1:4	数量 1	
		(无电源开关) 总装图	HAD-0106-06-A-ALL	材质	组件
		表面要求	物料号	BY90010600250	

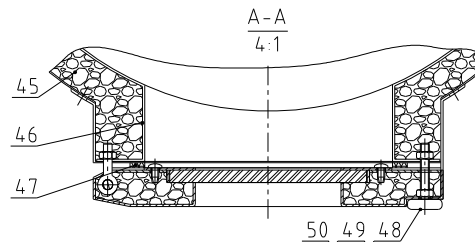
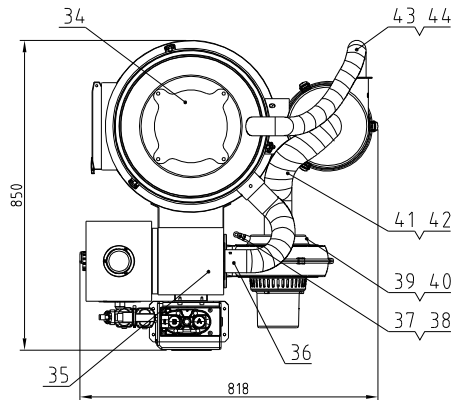
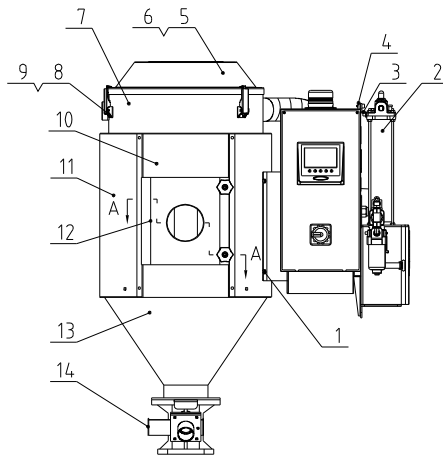
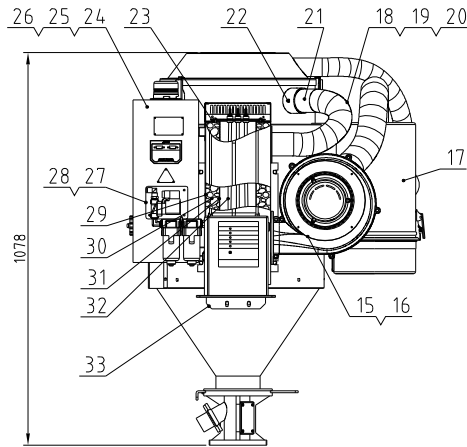
technical requirement

1. During installation, pay attention to the airtightness of the joints of the traches
2. Testing requirements: The inlet air volume is 0.1m³/min, and the outlet air volume is 0.086m³/min, The regeneration air volume is 0.014m³/min, the operating pressure range is 0.39-0.98MPa, and the ambient temperature is The dew point of the outlet air is -40 to -60 degrees Celsius, ranging from 2 to 40 degrees Celsius.
3. Voltage specification: 1 Ø 230VAC 50HZ

制图	版号	0
设计	核准	
校对		
审核	日期	2024.10.29
标记	更改前	更改后
	更改人	日期



Discharge port diameter	Blower power	heater power	Ver.
2inch	0.12KW	3.9KW	Ver.F
Inlet air volume of dehumidifier	Outlet pipe diameter	Inlet pipe diameter	Hopper capacity
0.1m ³ /min	2inch	2.5inch	80L

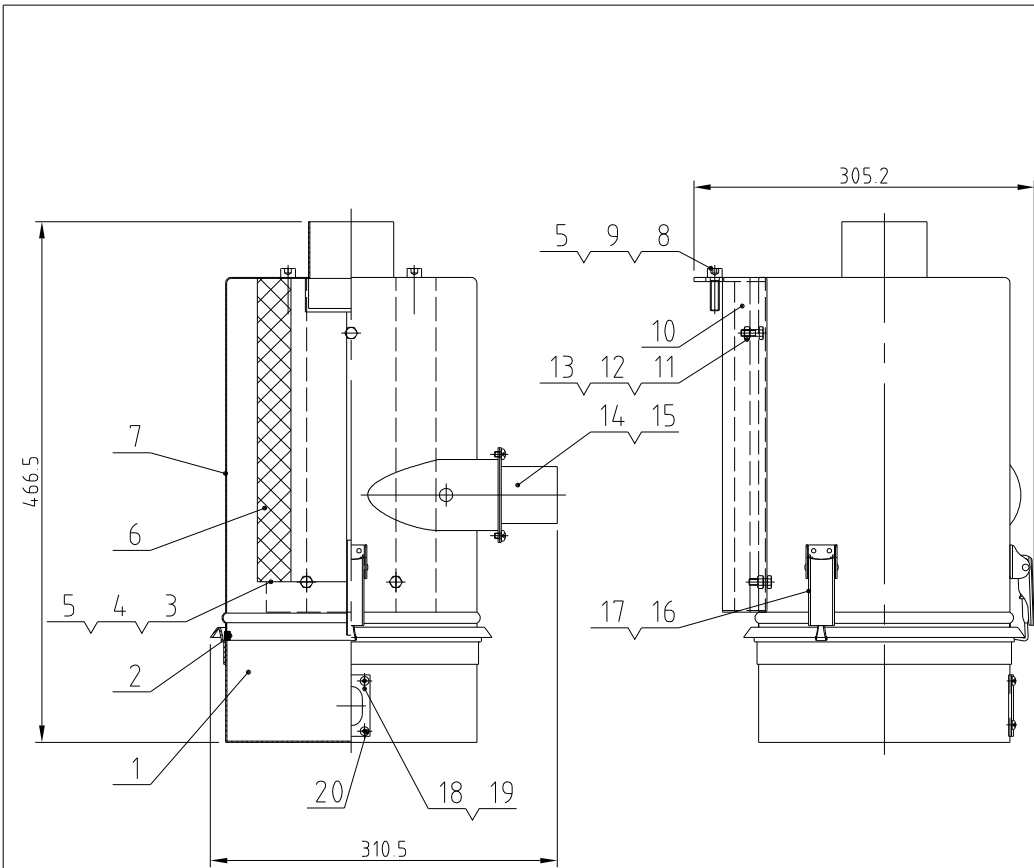


44	YW02002500000	Hot air fan 1/2" (100W) (top clamp) (top end of 200)		2
43	YW72023600000	Hot exhaust pipe 1/2" (hot type) of 4" x 1" (bottom of 1.5m)		0.25
42	YW02003500000	Hot air fan 1/2" (top clamp) (top end of 200)		2
41	YW72023600100	Hot exhaust pipe 1/2" (hot type) of 4" x 1" (bottom of 1.5m)		0.39
40	BH10000301460	Hot air resistor (flange part) 3" (top end of 100)		1
39	SHD-80U-HD-03	Blower air inlet flange		1
38	YR60000600400	PI air pipe 4" x 4" black 200/roll		1
37	YW80061400200	1 screw connector SHD-80U-HD (top clamp) (top end of 200)		1
36	SHD-80U-A-06	Hot air pipe connection pipe flange	SUS201	1
35	SHD-230U-A-23	Heating case cover	SPCC15	1
34	BL02803700120	Inlet sealing plate SHD-80U-A-37	SUS430	1
33	SHD-40U-HD-06	Heatless HDD adaptor flange 01	SPCC30	1
32	BH70123900150	Hot air pipe SHD-120U (3.300) 3" x 4" (top)		1
31	SHD-80U-A-16	Hot air pipe		1
30	YP62820140000	Flange hot air resistor (flange) SHD-80U-HD		0.025
29	SHD-80U-HD-01	External heating case	SPCC15	1
28	YE67201500100	Large rubber plate (top part) SHD-80U-HD (top end)		1
27	BL03000040120	Hot air fan (top plate) SHD-80U-HD (top end of 200)		1
26	SHD-20U-A-33	Base plate of control box	SECC15	1
25	SHD-20U-A-32	Control box door	SPCC12	1
24	SHD-40U-HD-02	Control box	SPCC12	1
23	YR10151200000	Hot air fan (top plate) SHD-80U-HD (top end of 200)		1
22	YE90055013000	Heatless HDD (SHD-80U-HD) (top type) (top end)		1
21	SHD-80U-A-14	Down-blow pipe	SUS201	1
20	BW72803900010	Hot exhaust pipe (top part) SHD-80U-HD (top end of 200)		1
19	YW72253600000	Hot exhaust pipe 1/2" (hot type) of 4" x 1" (bottom of 1.5m)		0.125
18	YW02000300000	Hot air fan 1/2" (top clamp) (top end of 200)		2
17	SHD-80U-HD-ALL-01	Return air filter		1
16	YR10141100000	Hot air fan (top plate) SHD-80U-HD (top end of 200)		1
15	BM40338000850	Hot air fan (top plate) SHD-80U-HD (top end of 200)		1
14	BY10050003150	Standard base assembly SH-50 (Ver.B)		1
13	SHD-80U-A-13	External hopper		1
12	SHD-80U-A-24	Assembly drawing of external material door		1
11	SHD-80U-A-21	Insulation board	SUS430	1
10	SHD-80U-A-18	Sight glass door frame	SPCC15	1
9	YW69050100000	Hot air fan (top plate) SHD-80U-HD (top end of 200)		6
8	YW02003000400	Adjustable spring bracket SH-50 (Ver.C)		3
7	SHD-80U-A-22	Storage tank		1
6	YR10005000100	Cover bracket SH-50 (top plate) (top end of 200)		1
5	SHD-80U-A-26	Barrel cover	SUS304	1
4	SHD-40U-HD-01	Dryer fixing plate	SPCC20	2
3	SHD-40U-HD-07	Heatless HDD adaptor flange 02	SPCC30	1
2	BY90010600250	Hot air fan (top plate) SHD-80U-HD (top end of 200)		1
1	SHD-80U-A-09	Heating case fixed plate	SPCC20	1

* means possible broken parts.
 ** means easy broken part, and spare backup is suggested.
 Please confirm the version of manual before placing the purchase order to guarantee that the item number of the spare part is in accordance with the real object.

50	YW66061300000	Flat washer 4 grade Q235.1 6-Longsize		2
49	BH11066000010	Cleaning door fixed screw SH-50 (Ver.C)		2
48	YW06063200000	Cross handle M6 x 32		2
47	YR10081200100	Single plate bracket SH-50 (Ver.C) (top end of 200)		1
46	SHD-80U-A-25	Inside View Door	SUS201	1
45	YP60252000000	Hot air fan (top plate) SHD-80U-HD (top end of 200)		0.05

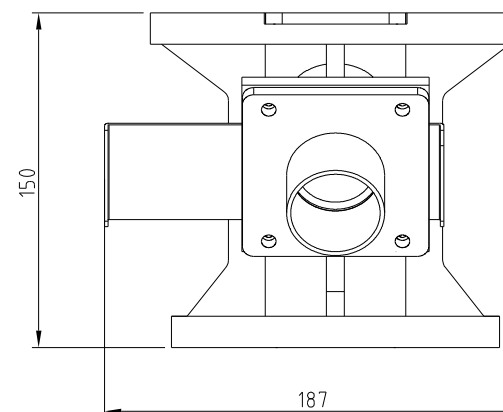
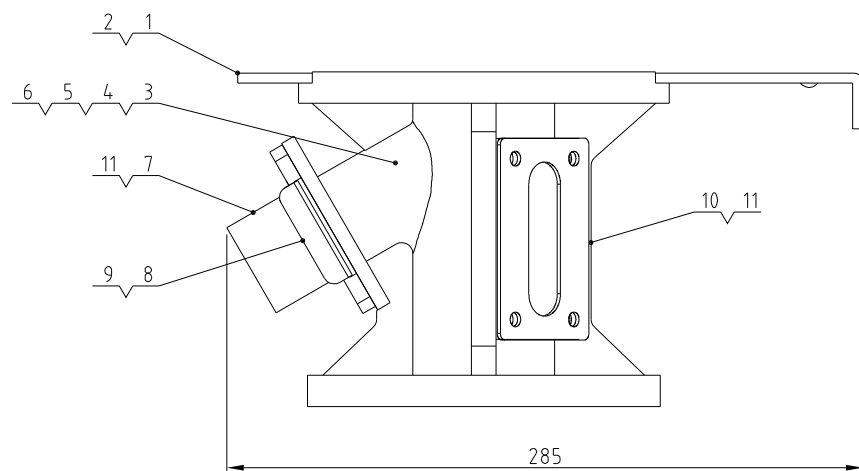
标记	更改前	更改后	更改人	日期	制图	版号	C	标题	图号	比例	1:13	数量	1
					设计	核准		SHD-80U-HD	SHD-80U-HD-ALL				
					校对			欧化无热除湿料斗干燥机					
					审核				信易电热机械股份有限公司 Shini Plastics Technologies, Inc.	表面要求			
						日期	2024.05.24			物料号			



* means possible broken parts.
 ** means easy broken part. and spare backup is suggested.
 Please confirm the version of manual before placing the purchase order to guarantee that the item number of the spare part is in accordance with the real object.

20	YW62041200000	Cross recessed flat head screw JIS1111	4		
19	BH14-800900010	Acrylic HAR-80U-A-09 (plexiglass)	1		
18	HAR-80U-A-07	Sight window iron plate	1		
17	YW64040700100	Non-metal insert hexagonal lock nut	6		
16	YW02003000400	Adjustable spring buckle SML-6U-A-35(Ver.C)	3		
15	YW62051000100	Cross recessed flat head screw JIS1111	4		
14	HAR-80U-A-12	Take over flange	1		
13	YW64000600300	Hexagonal nut GB/T6170 M6	3		
12	YW66061300000	Flat Washer Grade A GB/T93.1 6-Disk Dust	6		
11	YW60062000100	Hexagon head bolt GB/T5781 M6x20	3		
10	HAR-80U-A-02	Fixed plate	1		
9	YW65008000100	Standard spring washer GB/T93 8	2		
8	YW61082501200	Hexagon socket head screw GB/T70.1 M6x25	2		
7	HAR-80U-A-01	Filter Hopper	1		
6	YR50181100000	Filter ADC2 Clamping Rubber	1	*	
5	YW66081900000	Flat Washer 8x19x2.0 Dark Rust	3		
4	YW69051600000	Wing nut 5/16 ''	1		
3	HAR-80U-A-10	Filter fixing plate	1		
2	YR10080000300	Frame of Filter and Filter Hopper (with roller) (with nut)	1		
1	HAR-80U-A-08	Dust collective hopper	1		
序号	代号	名称	材质	数量	备注

					制图		版号	0	标题	SHD-80U-HD	图号	SHD-80U-HD-ALL-01	比例	1:6	数量	1
					设计		核准		回风过滤器					材质	/	
					校对								表面要求	/		
标记	更改前	更改后	更改人	日期	审核		日期	2024.05.07		信易電熱機械股份有限公司	Shini Plastics Technologies, Inc.	物料号	/			



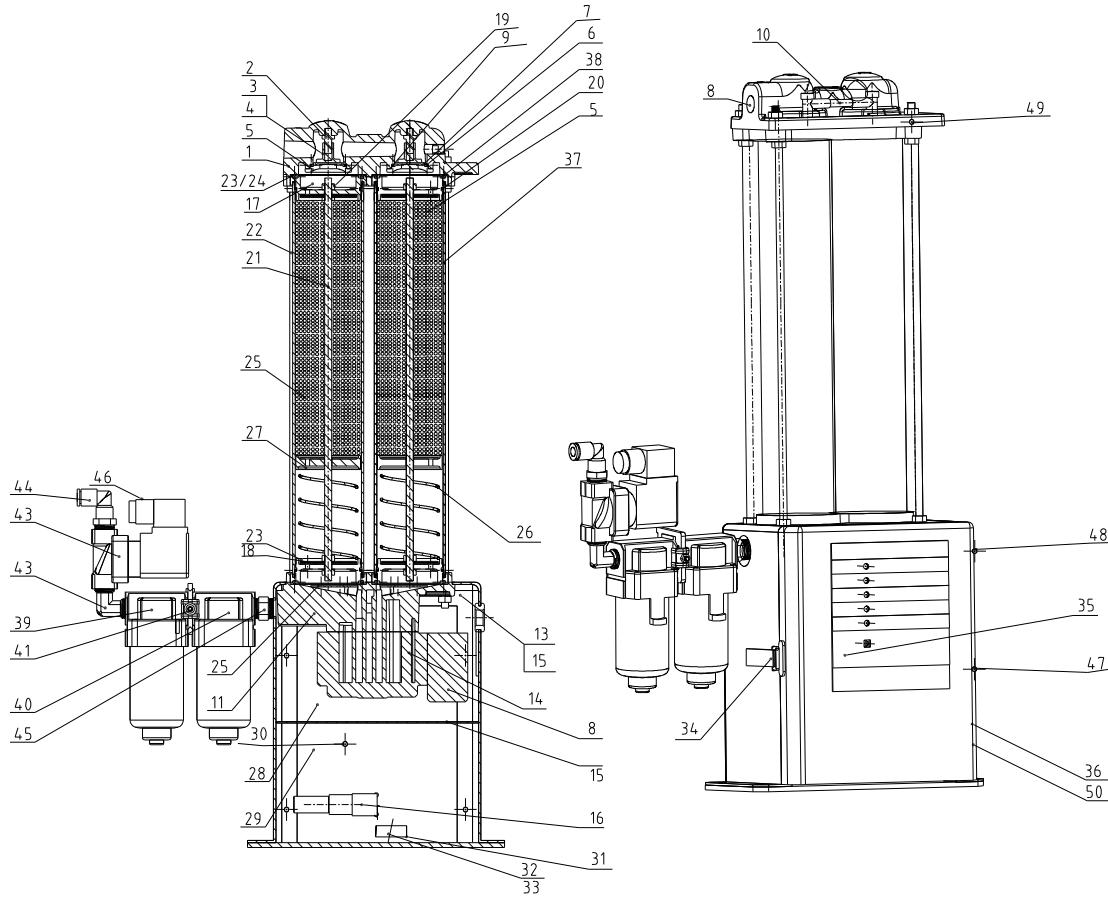
11	YW62051500000	Large cross socket flat head screw JIS1111 Mx16-Longzine	8		
10	YR90854800000	Four hole eight glass B*49*20(B*13+H) (Ver. 0) Material: PC	1	*	
9	YW69616100000	Hand screw M6*16*16	1		
8	YW09125000000	Small shut-off plate B*30*Thickness L*mm B*13+H (Ver. 0) (has mold)	1		
7	YA10005000100	Material discharge part (with mold) S20-50-ALL-01(Ver. 0)	1		
6	YW66082200100	Large washer C grade GB/T938 (8.4x24x2)-Longzine	4		
5	YW65008000100	Standard spring washer GB/T938 8 Longzine	4		
4	YW60083500000	Hexagon head bolt GB/T5781 M6x35-L 8-Longzine	4		
3	BA20150001510	Standard base B*50+H (Version 0) (Processed) (with mold)	1		
2	YW61061001800	Hexagon socket head screw GB70.1 Mx10-L2-70(S/S)	1		
1	YW09255000000	Large shut-off plate B*50+H(Ver. 0) (has mold)	1		
序号	代号	名称	材质	数量	备注

* means possible broken parts.

** means easy broken part. and spare backup is suggested.

Please confirm the version of manual before placing the purchase order to guarantee that the item number of the spare part is in accordance with the real object.

					制图		版号	0	标题	HB-50	图号	HB-50-A-ALL	比例	1:3	数量	1
					设计		核准			标准底座				材质	/	
					校对								表面要求	/		
标记	更改前	更改后	更改人	日期	审核		日期	20231225		信易電熱機械股份有限公司 Shini Plastics Technologies, Inc.		物料号	BY10050003150			



50	YW69050400000	Open-type flat round 4*10-12-70	SUS304	8	Purchase
49	YW61061200000	Inner hexagon cylinder head screw M6*12-12.9	Longzinc	3	Purchase
48	YW69035800000	Cross socket head tapping screw ST3.5*8	Longzinc	7	Purchase
47	YE51802340000	Power plug wire MG-002/3P/10A/250V3C Black		1	Purchase
46	YE67001100000	Wire lock head PG11		1	Purchase
45	BH12030800110	Copper connector 3/8PT*3/8PT (S-07)	HE2	1	Purchase
44	YW80083800200	L thread connector APL8-03 3/8-Ø8		1	Purchase
43	YE32213100000	Solenoid valve 3/8 coil type 220VAC model YDZ131-100		1	Purchase
42	YW04030800100	Copper connector 3/8 inch * 3/8 inch L-shaped		1	Purchase
41	YW09030001500	Insulated plate (X) T300-1	SMC	1	Purchase
40	YR50300300600	Oil mist separator APD30-03D-1	SMC	1	Purchase
39	YR50300300700	Oil mist separator APH30-03D-1	SMC	1	Purchase
38	YR20553000000	O-ring inner diameter Ø 65 section Ø 3		4	Purchase
37	BH13016110010	Adsorption cylinder HAD-0106-06-A-07	ACAD	2	mechanism
36	YW06000200000	Stainless steel hinge 2"	SUS	2	Purchase
35	YE80011800000	Heatless operation panel		1	Purchase
34		Control box hook/buckle		1	Purchase
33	YEF00000039000	Terminal fittings E/GK series		2	Purchase
32	YEF00025032000	Spring wiring terminal SH2.5		6	Purchase
31	YE90660100000	Guide rail H66-T*1		0.075	
30	YW61030600100	Cross socket counter sunk head screw M3*6	Longzinc	8	Purchase
29	YEF00505400000	Heatless circuit board AP-01		1	Purchase
28	BK90106600021	Sheet metal parts HAD-0106-06		1	Metal plate
27	YR40106630000	Adsorption cylinder inner sleeve HAD-0106-06-A-08	Nylon	2	Purchase
26	YW01508000000	Spring Ø 50 * 80 wire diameter 2	SUS304	2	Purchase
25	YP90040800000	Molecular sieve 4#		1KG	Purchase
24	YW64000600300	Hexagon nut GB/T6170M6	Longzinc	22	Purchase
23	YW66061200000	Flat washer A grade GB/T91.1 (G 411X1.0)-70	SUS304	22	Purchase
22	YW90020100100	Double-head screw Ø2 HAD-0106-06-A-06	SUS304	4	Purchase
21	YW90010100200	Double-head screw Ø1 HAD-0106-06-A-05	SUS304	2	Purchase
20	YR20552500100	O-ring inner diameter 61.5, outer diameter 2.05mm	Fluororubber	4	Purchase
19	YW67040600600	Cross socket pan head self-tapping lock screw M4*6	Longzinc	18	Purchase
18	YP621006600000	Filter cotton HAD-0106-06-A-10	Sponge	0.001	Purchase
17	BH13016130010	Adsorption tube sleeve HAD-0106-06-A-04	ADC12	4	mechanism
16	YW90660000000	Silencer ANB1-C06	SMC	1	Purchase
15	YW52086000000	Reducing direct connection AP08-6	Air TAC	1	Purchase
14	YEF03540000000	Solenoid valve YFS3110-5B		1	Purchase
13	YR60000800000	PU air pipe Ø20*26 black	Plastic	0.22M	Purchase
12	YW80081400000	Thread direct connector APC08-02 1/4-Ø8	Air TAC	1	Purchase
11	BH13006180010	Adsorption cylinder inner end cover HAD-0106-06-A-03	T6001	1	mechanism
10	BH12106200010	Copper air pipe HAD-0106-06-A-15	HE2	1	mechanism
9	YW80601120000	External hexagonal joint APH6-01		2	Purchase
8	YE30830000000	One-way throttle valve A7F8-03 3/8-#8 Exhaust type	Air TAC	1	Purchase
7	YW63040600000	Cross recessed pan head screw GB/T818M4X6	Longzinc	6	Purchase
6	YR20236200000	O-ring inner diameter 51.5, outer diameter 2.65V	Fluororubber	2	Purchase
5	BH13106500010	Air inlet locating plate HAD-0106-06-A-22	SPECL.0	2	Metal plate
4	BH12010660010	Check valve copper inner sleeve	HE2	2	mechanism
3	BH12168900040	Check valve HAD with insulator		2	Purchase
2	BH10010600010	Valve sleeve HAD-0106-06-A-01	SUS304	2	mechanism
1	BH13076700010	Adsorption cylinder upper end cover HAD-0106-06-A-13		1	mechanism

序号	代号	名称	材质	数量	备注
		标题 无热式HAD-0106-06 图号	比例 1:4	数量 1	
		(无电源开关) 总装图	HAD-0106-06-A-ALL	材质 组件	
		表面要求	物料号	BY90010600250	

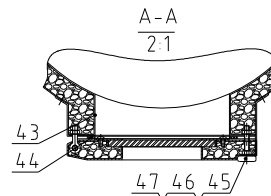
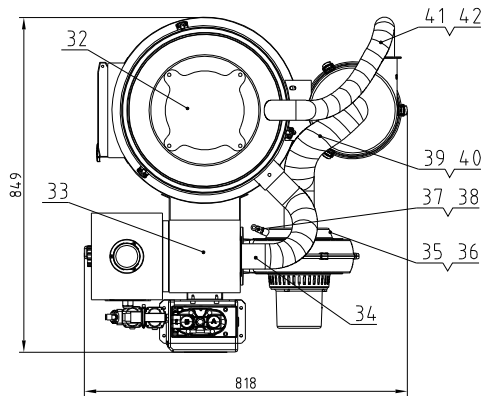
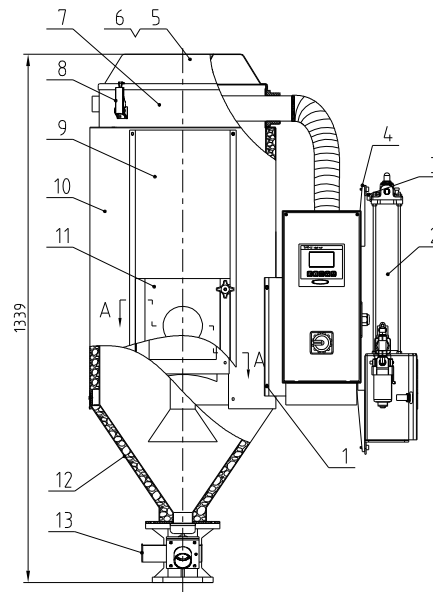
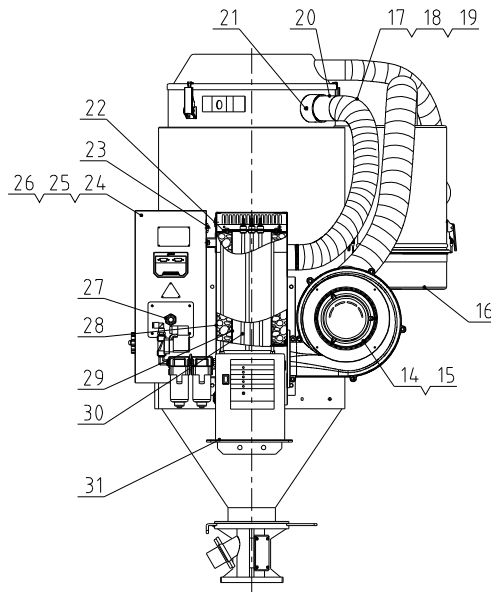
technical requirement

1. During installation, pay attention to the airtightness of the joints of the traches
2. Testing requirements: The inlet air volume is 0.1m³/min, and the outlet air volume is 0.086m³/min, The regeneration air volume is 0.014m³/min, the operating pressure range is 0.39-0.98MPa, and the ambient temperature is The dew point of the outlet air is -40 to -60 degrees Celsius, ranging from 2 to 40 degrees Celsius.
3. Voltage specification: 1 Ø 230VAC 50HZ

制图	版号	0
设计	核准	
校对		
审核		
标记	更改前	更改后
	更改人	日期
日期	2024.10.29	



Discharge port diameter	Blower power	Heater power	Ver.
2inch	0.12KW	3.9KW	Ver.F
Inlet air volume of dehumidifier	Outlet pipe diameter	Inlet pipe diameter	Hopper capacity
0.2m ³ /min	2inch	2.5inch	120L



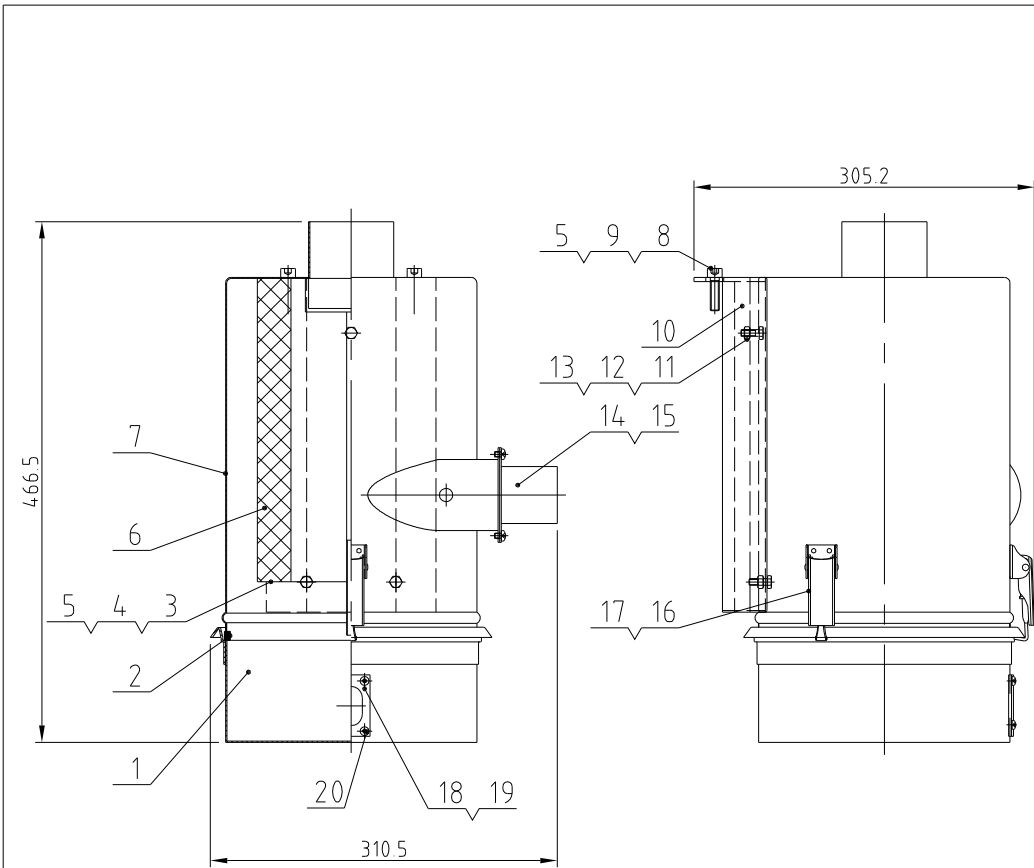
42	YW02002500000	Hot air duct 1.5" (38mm) long clamp length clamp end of 2000		2	
41	YW72023600000	Hot resistant pipe 7" rubber layers and 1/4" thickness 1/16"		0.25	
40	YW02003500000	Hot air duct 1.5" (38mm) long clamp length clamp end of 2000		2	
39	YW72033600100	Hot resistant pipe 7" rubber layers and 1/4" thickness 1/16"		0.39	
38	YR60000600400	PU air pipe 4"φ×4" black 2000/roll		1	
37	YW80061400200	L-type threaded joint M16-1/4 1/4-jig		1	
36	BH10000301460	Hot air recovery flange interface 3"		1	
35	SHD-80U-HD-03	Fan air inlet flange		1	
34	SHD-80U-A-06	Hot air pipe connection pipe flange	SUS201	1	
33	SHD-230U-A-23	Heating case cover	SPCC15	1	
32	BL02803700120	Inlet sealing plate SHD-80U-A-37	SUS430	1	
31	SHD-40U-HD-06	Heatless HDD adaptor flange 01	SPCC3.0	1	
30	BH70123900150	Electric heating tube SHD-120U (3.9KW)		1	
29	SHD-80U-A-16	Hot air pipe		1	
28	SHD-80U-HD-01	External heating box	SPCC15	1	
27	YE67201500100	Copper nickel-plated cable connector		1	
26	SHD-20U-A-33	Base plate of control box	SECC15	1	
25	SHD-20U-A-32	Control box door	SPCC12	1	
24	SHD-40U-HD-02	Control box	SPCC12	1	
23	YR30000000100	Rubber stopper SHD large SHD-20U		4	
22	YR10151200000	Heating box silicone tight 1050×125		1	
21	YE90054001300	Thermocouple 5×40L×Φ8×1.5M		1	
20	SHD-120U-A-07	Down-blow pipe	SUS201	1	
19	BW72750500310	Heat-resistant air duct 2.5" (63.5mm) long clamp length clamp end of 2000		1	
18	YW72253600000	Heat-resistant air duct 2.5" (63.5mm)		0.186	
17	YW02000300000	Stainless steel tube handle 3" (76.2mm)		2	
16	SHD-80U-HD-ALL-01	Return air filter		1	
15	YR10141100000	Heating box tight 1014×110		1	
14	BM40338000850	Hot air recovery flange interface 3" (76.2mm)		1	
13	BY10050003150	Standard base assembly 3P-50 (Ver. D)		1	
12	SHD-80U-A-13	Outer hopper		1	
11	SHD-80U-A-24	Assembly diagram		1	
10	SHD-120U-A-09	Insulation board	SUS430(0.6)	1	Ink drawing
9	SHD-120U-A-06	Exterior Door Frames	SPCC15	1	
8	YW02003000400	Adjustable spring handle SHD-80U-A-06		3	
7	SHD-120U-A-08	Storage tank		1	
6	YR10005000100	Cover tightly with SHD-50		1	
5	SHD-80U-A-26	Hopper lid	SUS304	1	
4	SHD-120U-HD-01	Dryer fixing plate	SPCC2.0	2	
3	SHD-40U-HD-07	Heatless HDD adaptor flange 02	SPCC3.0	1	
2	BY90020602250	Heatless regeneration air dryer		1	
1	SHD-80U-A-09	Heating case fixed plate	SPCC2.0	1	

47	YW66061300000	Flat washer 1 grade Q195F 1.6-Longline		2	
46	BH11066000010	Cleaning door fixed screw SHD-120U-A-06(SUS304)		2	
45	YW06063200000	Cross handle M6 * 32		2	
44	YR10081200100	Spring plate handle SHD-120U-HD-01		1	
43	SHD-80U-A-25	Inside View Door	SUS201	1	

*Indicates the items that may be damaged; ** indicates the items that are more likely to be damaged. It is recommended to back them up. Please confirm the version number of the instruction manual before placing an order to purchase spare parts, so as to ensure that the material number of spare parts is consistent with the physical one.

制图	版号	C	标题	SHD-120U-HD	图号	SHD-120U-HD-ALL	比例	1:12	数量	1
设计	核准		欧化无热除湿料斗干燥机				材质	/		
校对	日期	2024.05.24	物料号				表面要求	/		
审核	日期									

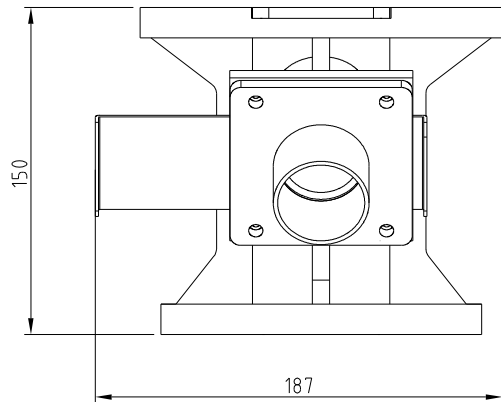
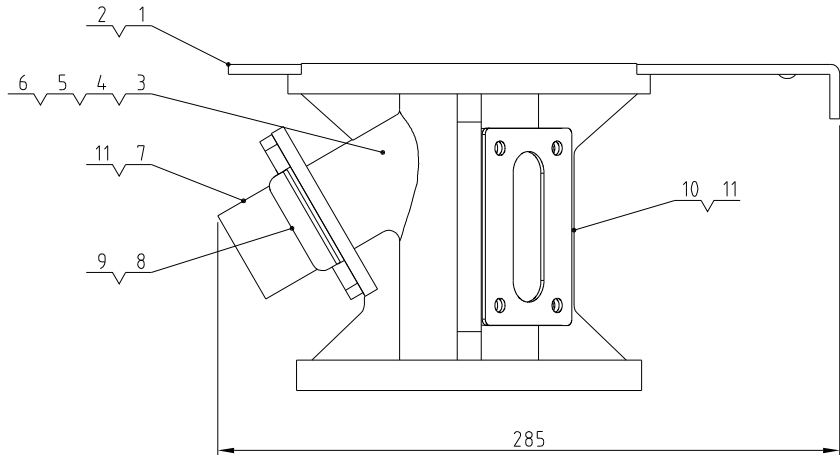




* means possible broken parts.
 ** means easy broken part. and spare backup is suggested.
 Please confirm the version of manual before placing the purchase order to guarantee that the item number of the spare part is in accordance with the real object.

20	YW62041200000	Cross recessed flat head screw JIS1111	4		
19	BH14-800900010	Acrylic HAR-80U-A-09 (plexiglass)	1		
18	HAR-80U-A-07	Sight window iron plate	1		
17	YW64040700100	Non-metal insert hexagonal lock nut	6		
16	YW02003000400	Adjustable spring buckle SM-A-35(Ver.C)	3		
15	YW62051000100	Cross recessed flat head screw JIS1111	4		
14	HAR-80U-A-12	Take over flange	1		
13	YW64000600300	Hexagonal nut GB/T6170 M6	3		
12	YW66061300000	Flat Washer Grade A GB/T97.1 6-Disk Dust	6		
11	YW60062000100	Hexagon head bolt GB/T5781 M6x20	3		
10	HAR-80U-A-02	Fixed plate	1		
9	YW65008000100	Standard spring washer GB/T93 8	2		
8	YW61082501200	Hexagon socket head screw GB/T70.1 M6x25	2		
7	HAR-80U-A-01	Filter Hopper	1		
6	YR50181100000	Filter ADC2 Clamping Rubber	1	*	
5	YW66081900000	Flat Washer 8x19x2.0 Dark Rust	3		
4	YW69051600000	Wing nut 5/16 ''	1		
3	HAR-80U-A-10	Filter fixing plate	1		
2	YR10080000300	Frame of Filter and Filter Hopper (with roller) (with nut)	1		
1	HAR-80U-A-08	Dust collective hopper	1		
序号	代号	名称	材质	数量	备注

					制图		版号	0	标题	SHD-80U-HD	图号	SHD-80U-HD-ALL-01	比例	1:6	数量	1
					设计		核准		回风过滤器					材质	/	
					校对		核准						表面要求	/		
标记	更改前	更改后	更改人	日期	审核		日期	2024.05.07		信易電熱機械股份有限公司	Shini Plastics Technologies, Inc.	物料号	/			



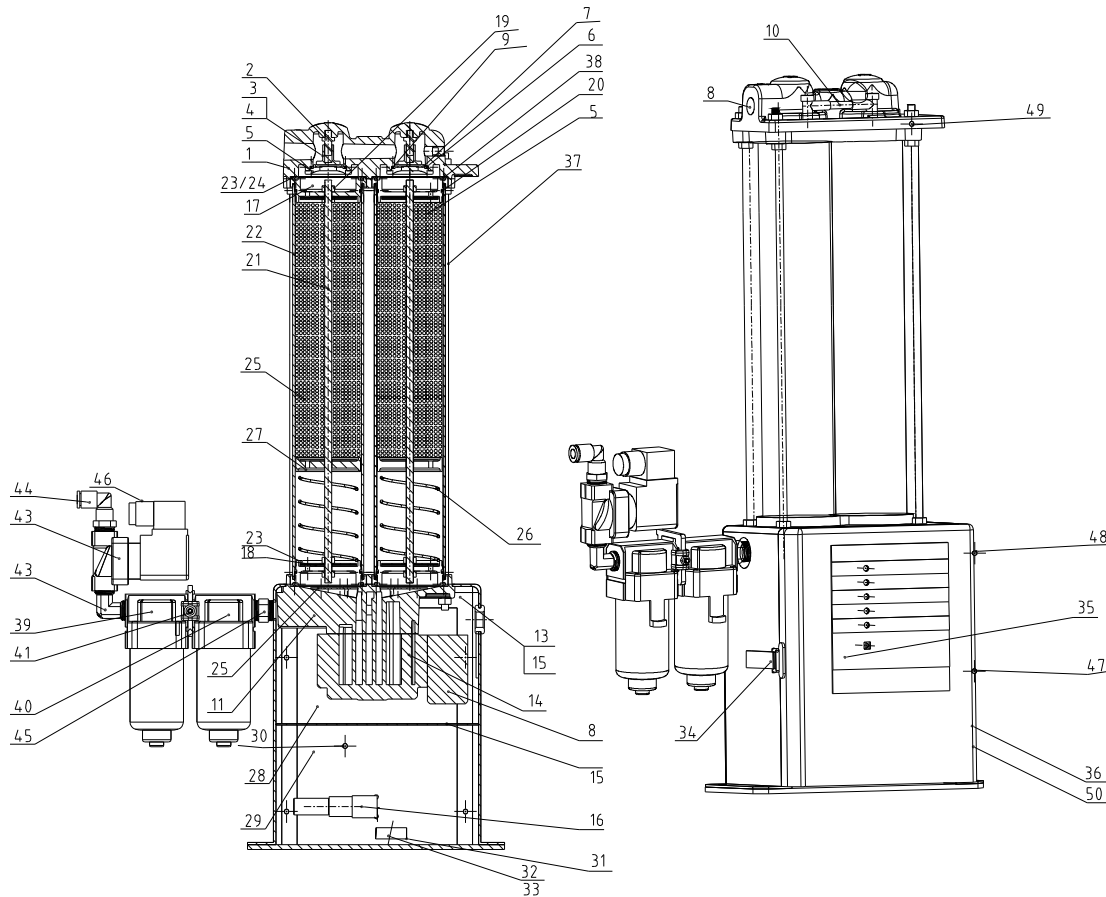
* means possible broken parts.

** means easy broken part, and spare backup is suggested.

Please confirm the version of manual before placing the purchase order to guarantee that the item number of the spare part is in accordance with the real object.

11	YW62051500000	Large cross socket flat head screw JIS1111 Multi-Longline	8		
10	YR90854800000	Four hole eight glass BS-09000-12-4-00 (Ver. 0) Material: PC	1	*	
9	YW69616100000	Hand screw M6*16*16	1		
8	YW09125000000	Ball shut-off plate B-2000 Material: L-10 B-2-4-00 (Ver. 0) (New mold)	1		
7	YA100050000100	Material discharge port (with mold) S20-20-ALL-00 (Ver. 0)	1		
6	YW66082200100	Large washer C grade CR/7393 (R. 6.2/6.2)-Longline	4		
5	YW65008000100	Standard spring washer CR/739 8 Longline	4		
4	YW60083500000	Hexagon head bolt CR/73781 M6.25-4.8-Longline	4		
3	BA20150001510	Standard base B-20-4-00 (Version 0) (Processed) (with mold)	1		
2	YW61061001800	Hexagon socket head screw CR70.1 Multi-02-70(S1S)	1		
1	YW09255000000	Large shut-off plate B-20-4-02 (Ver. 0) (New mold)	1		
序号	代号	名称	材质	数量	备注

					制图	版本号	0	标题	HB-50	图号	HB-50-A-ALL	比例	1:3	数量	1
					设计	核准		标准底座					材质	/	
					校对	核准						表面要求	/		
标记	更改前	更改后	更改人	日期	审核	日期	20231225			信易电热机械股份有限公司 Shini Plastics Technologies, Inc.		物料号	BY10050003150		

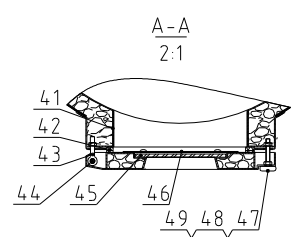
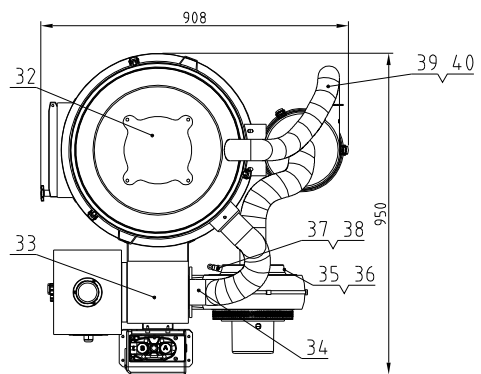
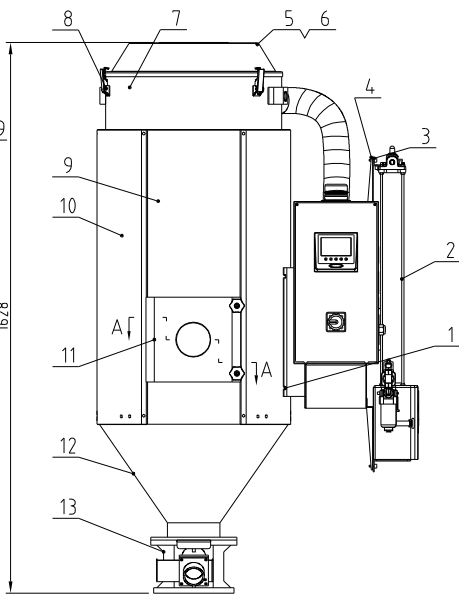
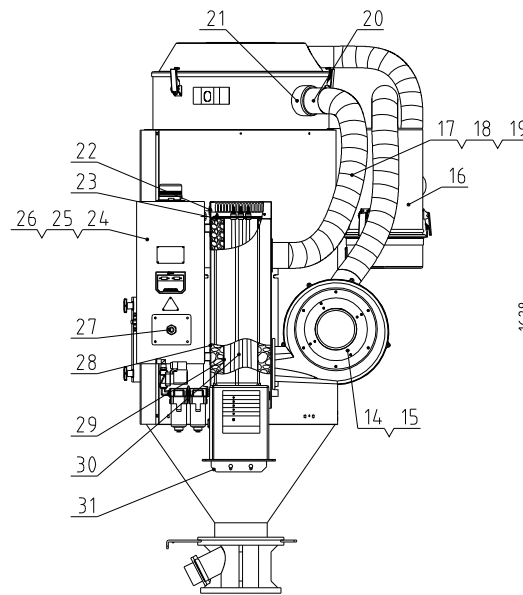


technical requirement

1. During installation, pay attention to the airtightness of the joints of the trachea
2. Testing requirements: The inlet air volume is 0.2m³/min, and the outlet air volume is 0.172m³/min, The regeneration air volume is 0.028m³/min, the operating pressure range is 0.39-0.98MPa, and the ambient temperature is The dew point of the outlet air is -40 to -60 degrees Celsius, ranging from 2 to 40 degrees Celsius.
3. Voltage specification: 1 ∅ 230VAC 50HZ

50	YW69050400000	Open-type flat round 4*10-12-70	SUS304	8	Purchase
49	YW61061200000	Inner hexagon cylinder head screw M6*12-12.9	Longsine	3	Purchase
48	YW69035800000	Cross socket head tapping screw ST3.5*8	Longsine	7	Purchase
47	YE518023400000	Power plug wire M5-002/3P/10A/150V3C black		1	Purchase
46	YE670011000000	Wire lock head PE11		1	Purchase
45	BH12030800110	Copper connector 3/8PT*3/8PT(3-87)	H62	1	Purchase
44	YW800838002000	L thread connector AP18-03 3/8-08		1	Purchase
43	YE322131000000	Solenoid valve 3/8 oil type 220VAC model YK22134-10D		1	Purchase
42	YW040308001000	Copper connector 3/8 Inch x 3/8 Inch L-shaped		1	Purchase
41	YW090300015000	Insulated plastic (C) Y306-1	SMC	1	Purchase
40	YR503003006000	Oil mist separator AP30-03D-1	SMC	1	Purchase
39	YR503003007000	Oil mist separator AP30-03D-1	SMC	1	Purchase
38	YR205530000000	O-ring inner diameter ∅ 65 section ∅ 3		4	Purchase
37	BH13026110010	Adsorption cylinder HAD-0106-06-A-03	ACAD	2	mechanism
36	YW060002000000	Stainless steel hinge 2"	SUS	2	Purchase
35	YE800118000000	Heatless operation panel		1	Purchase
34	YE600000039000	Control box hook/handle		1	Purchase
33	YE600000039000	Terminal fittings H/GK series		2	Purchase
32	YE600025032000	Spring wiring terminal SEL.5		6	Purchase
31	YE906601000000	Guide rail H66-TW1		0.075M	Purchase
30	YW610306001000	Cross socket counter sunk head screw GR1818*6	Longsine	8	Purchase
29	YE605054000000	Heatless circuit board H66-01		1	Purchase
28	BR90106600021	Sheet metal parts HAD-0106-06	Meti plate	1	Meti plate
27	YR401066300000	Adsorption cylinder inner sleeve HAD-0106-06-A-08	Nylon	2	Purchase
26	YW015080000000	Spring ∅ 50 x 80 wire diameter 2	SUS304	2	Purchase
25	YP900408000000	Molecular sieve 4*8		1KG	Purchase
24	YW640006000300	Hexagon nut GR/T6170M6	Longsine	22	Purchase
23	YW660612000000	Flat washer A grade GR/T91.1(6.4X12X1.6)	SUS304	22	Purchase
22	YW900202001000	Double-head screw 02 HAD-0206-06-A-02	SUS304	4	mechanism
21	YW900102001000	Double-head screw 01 HAD-0206-06-A-01	SUS304	2	mechanism
20	YR205525001000	O-ring inner diameter 61.6, outer diameter 2.6mm	Fluororubber	4	Purchase
19	YW670406006000	Cross socket pan head self-tapping lock screw M16x	Longsine	18	Purchase
18	YP621066000000	Filter cotton HAD-0106-06-1-10	Sponga	4	Purchase
17	BH13016130010	Adsorption tube sleeve HAD-0106-06-1-04	ADC12	4	mechanism
16	YW906600000000	Silencer ANH1-C16	SMC	1	Purchase
15	YW520860000000	Reducing direct connection AP08-6	Air TAC	1	Purchase
14	YE603540000000	Solenoid valve YPS110-5R		1	Purchase
13	YR600008000000	PU air pipe 08*08 blk.	Plastic	0.22M	Purchase
12	YW800814000000	Thread direct connector AP08-02 1/4-08	Air TAC	1	Purchase
11	BH13006180010	Adsorption cylinder inner and cover HAD-0106-06-1-03	T6001	1	mechanism
10	BH12106200010	Copper air pipe HAD-0106-06-1-15	H62	1	mechanism
9	YW806011201000	External hexagonal joint AP6-01		2	Purchase
8	YE308300000000	One-way throttle valve AS7P-03 3/8-#0 Exhaust type	Air TAC	1	Purchase
7	YW630406000000	Cross recessed pan head screw GR/T618M16	Longsine	6	Purchase
6	YR202362000000	O-ring inner diameter 51.5, outer diameter 2.657	Fluororubber	2	Purchase
5	BH131065000100	Air inlet locating plate HAD-0106-06-A-22	SPECL.0	2	Meti plate
4	BH120106600100	Check valve copper inner sleeve	H62	2	mechanism
3	BH121689000400	Check valve HAD with insulator		2	Purchase
2	BH100106600010	Valve sleeve HAD-0106-06-A-01	SUS304	2	mechanism
1	BH130167000100	Adsorption cylinder upper end cover HAD-0106-06-1-13		1	mechanism

序号	代号	名称	材质	数量	备注
		标题 无热式HAD-0206-06 图号		1.4	数量 1
		(无电源开关)总装图	HAD-0206-06-A-ALL	⊕	材质 组件
			表面要求		
标记	更改前	更改后	更改人	日期	审核
				日期	2024.10.29
		SHINI 信易电热机械股份有限公司 Shini Plastics Technologies, Inc.		物料号	BY90020602250



Discharge port diameter	Blower power	Heater power	Ver.
3.5inch	0.12KW	6KW	Ver.E
Inlet air volume of dehumidifier	Outlet pipe diameter	Inlet pipe diameter	Hopper capacity
0.2m ³ /min	2.5inch	3inch	230L

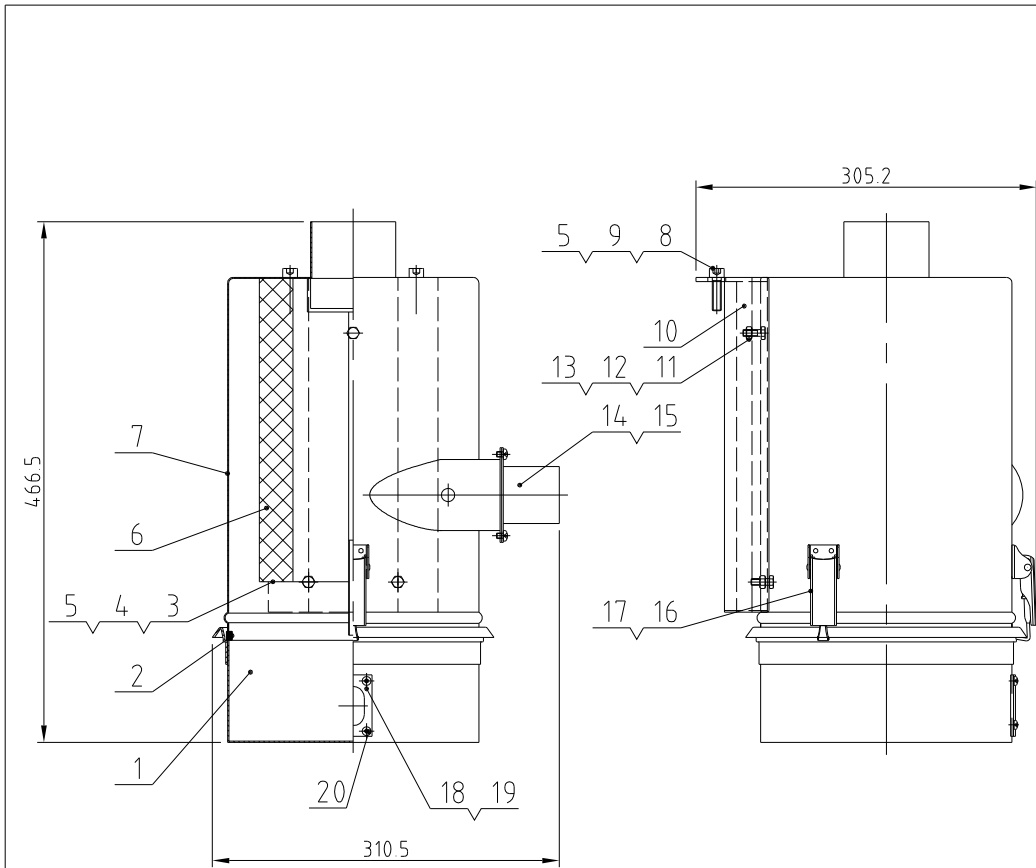
44	SHD-160U-A-41	Sight glass door pin		1	
43	YW69798600100	Active ball Q2708 B5 * 20-22-TU (SUS304)		2	
42	YR10162300000	Sight glass fastener Q2708/20H (SUS304)		1	
41	SHD-230U-A-12	Inside View Door	SUS201	1	
40	YW02000300000	Stainless steel tube handle 3"es		2	
39	YW72253600000	Hot air pipe 1.5" tube type of 40W 30mm O.D. 1m		0.33	
38	YR60000600400	PI air pipe 40*44 black 2000/roll		1	
37	YW80061400200	L-type threaded joint M16-1/4 1/4-1/2		1	
36	BH10000301460	Hot air regulator clamp part 2" (SUS304)		1	
35	SHD-230U-HD-04	Fan air inlet flange		1	
34	SHD-160U-A-27	Heating case air outlet flange	SUS201	1	
33	SHD-230U-A-23	Heating case cover	SPCC15	1	
32	BL02803700120	Inlet sealing plate SD-400-A-37	SUS430	1	
31	SHD-40U-HD-06	Heatless HDD adaptor flange 01	SPCC3.0	1	
30	BH70230600250	Electric heating tube SD-200(200)10*400		1	
29	SHD-160U-A-21	Hot air pipe		1	
28	SHD-230U-HD-03	External heating box	SPCC15	1	
27	YE67201500100	Copper nickel-plated cable connector		1	
26	SHD-160U-A-25	Base plate of control box	SECC15	1	
25	SHD-160U-A-24	Control box door	SPCC12	1	
24	SHD-160U-A-23	Control box	SPCC12	1	
23	YR10161200000	Hot air clamp base 40*44*20 black (SUS304)		1	
22	YR30000000100	Rubber stopper SD large SD-20U		4	
21	YE90054001300	Thermocouple 5*40L*40R*1.5M		1	
20	SHD-230U-A-08	Down-blow pipe	SUS201	1	
19	BW72163800010	Hot air seal ring 40*44*20 black (SUS304)		1	
18	YW72033600100	Hot air pipe 1.5" tube type of 40W 30mm O.D. 1m		0.603	
17	YW020003500000	Hot air pipe 1.5" tube type of 40W 30mm O.D. 1m		4	
16	SHD-230U-HD-ALL-01	Return air filter		1	
15	YR10010000600	Hot air filter SD 20 40 200 200 200 200 200 200		1	
14	BM40000450850	Hot air filter SD 20 40 200 200 200 200 200 200		1	
13	BY10020003150	Standard base combination 10-200 (Ver. 0)		1	
12	SHD-160U-A-04	External hopper		1	
11	SHD-160U-A-08	Sight glass assembly		1	
10	SHD-230U-A-09	Insulation board	SUS430	1	Ink drawing
9	SHD-230U-A-13	Exterior Door Frames	SPCC15	1	
8	YW020003000400	Adjustable spring handle SD-20*25*25 (Ver. 0)		3	
7	SHD-230U-A-02	Storage tank		1	
6	YR100100400000	Cover fastener SD-20 40 200 200 200 200 200 200		1	
5	SHD-230U-A-11	Barrel cover	SUS304	1	
4	SHD-230U-HD-01	Dryer fixing plate	SPCC2.0	2	
3	SHD-40U-HD-07	Heatless HDD adaptor flange 02	SPCC3.0	1	
2	BY90035600250	Hot air pipe 1.5" tube type of 40W 30mm O.D. 1m		1	
1	SHD-160U-A-19	Heating case fixed plate	SPCC2.0	1	

49	YW66061300000	Flat washer 1 grade Q2708 1.6*Longsize		2	
48	BH11066000010	Clamping door fixed screw Q2708-10*40(SUS304)		2	
47	YW06063200000	Cross handle M6 * 32		2	
46	SHD-160U-A-42	Material door retaining ring		1	
45	YW70102000000	Hot air pipe fastener SD 20 40 200 200 200 200 200 200		1	

* means possible broken parts.
 ** means easy broken part, and spare backup is suggested.
 Please confirm the version of manual before placing the purchase order to guarantee that the item number of the spare part is in accordance with the real object.

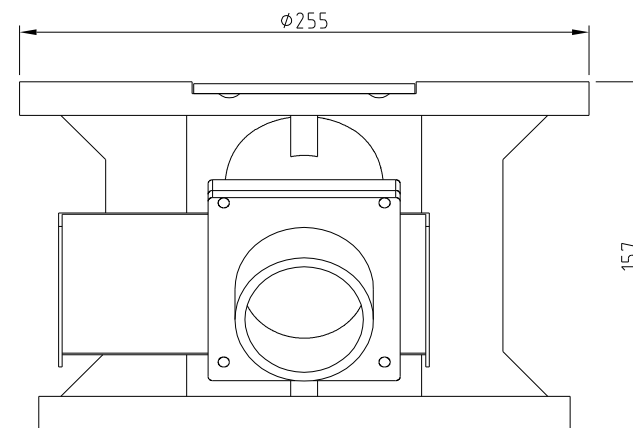
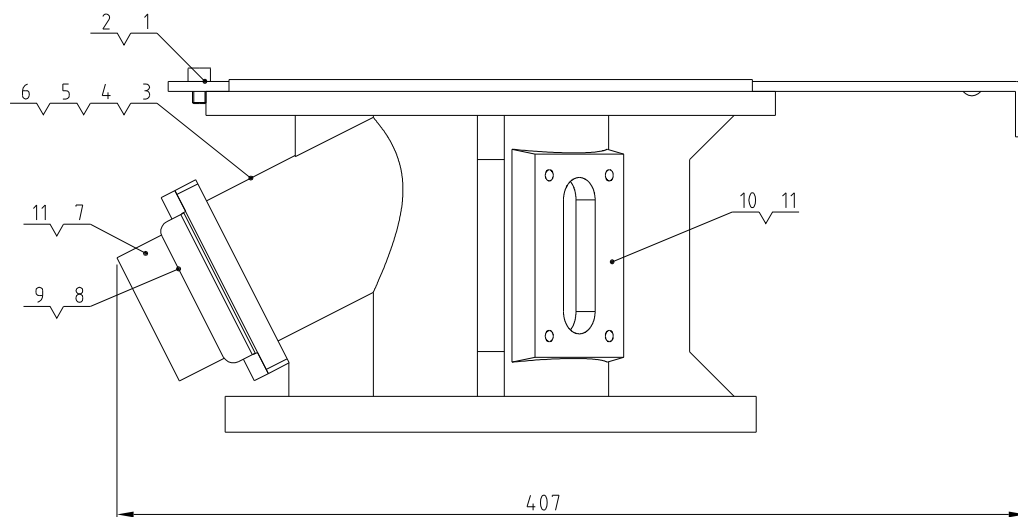
制图	版号	C	标题	SHD-230U-HD	图号	SHD-230U-HD-A-ALL	比例	1:14	数量	1
设计	核准		欧化无热除湿料斗干燥机				表面要求		/	
校对	日期	2024.05.24	物料号						/	
标记	更改前	更改后	更改人	日期	审核	日期				





20	YW62041200000	Cross recessed flat head screw JIS1111	4		
19	BH14-800900010	Acrylic HAR-80U-A-09 (plexiglass)	1		
18	HAR-80U-A-07	Sight window iron plate	1		
17	YW64040700100	Non-metal insert hexagonal lock nut	6		
16	YW02003000400	Adjustable spring buckle SM-6U-A-35 (Ver. C)	3		
15	YW62051000100	Cross recessed flat head screw JIS1111	4		
14	HAR-80U-A-12	Take over flange	1		
13	YW64000600300	Hexagonal nut GB/T6170 M6	3		
12	YW66061300000	Flat Washer Grade A GB/T93.1 6-Disk Dust	6		
11	YW60062000100	Hexagon head bolt GB/T5781 M6x20	3		
10	HAR-160U-A-02	Fixed plate	1		
9	YW65008000100	Standard spring washer GB/T93 8	2		
8	YW61082501200	Hexagon socket head screw GB/T70.1 M6x25	2		
7	HAR-80U-A-01	Filter Hopper	1		
6	YR50181100000	Filter M2 Clamping Rubber (SHD-100U-A-ALL-01) Ver. 0	1		
5	YW66081900000	Flat Washer 8x19x2.0 Dark Rust	3		
4	YW69051600000	Wing nut 5/16 ''	1		
3	HAR-80U-A-10	Filter fixed plate	1		
2	YR10080000300	Frame of Filter and Filter Holder (Hex. nut) (Hex. nut)	1		
1	HAR-80U-A-08	Dust collective hopper	1		
序号	代 号	名 称	材 质	数 量	备 注

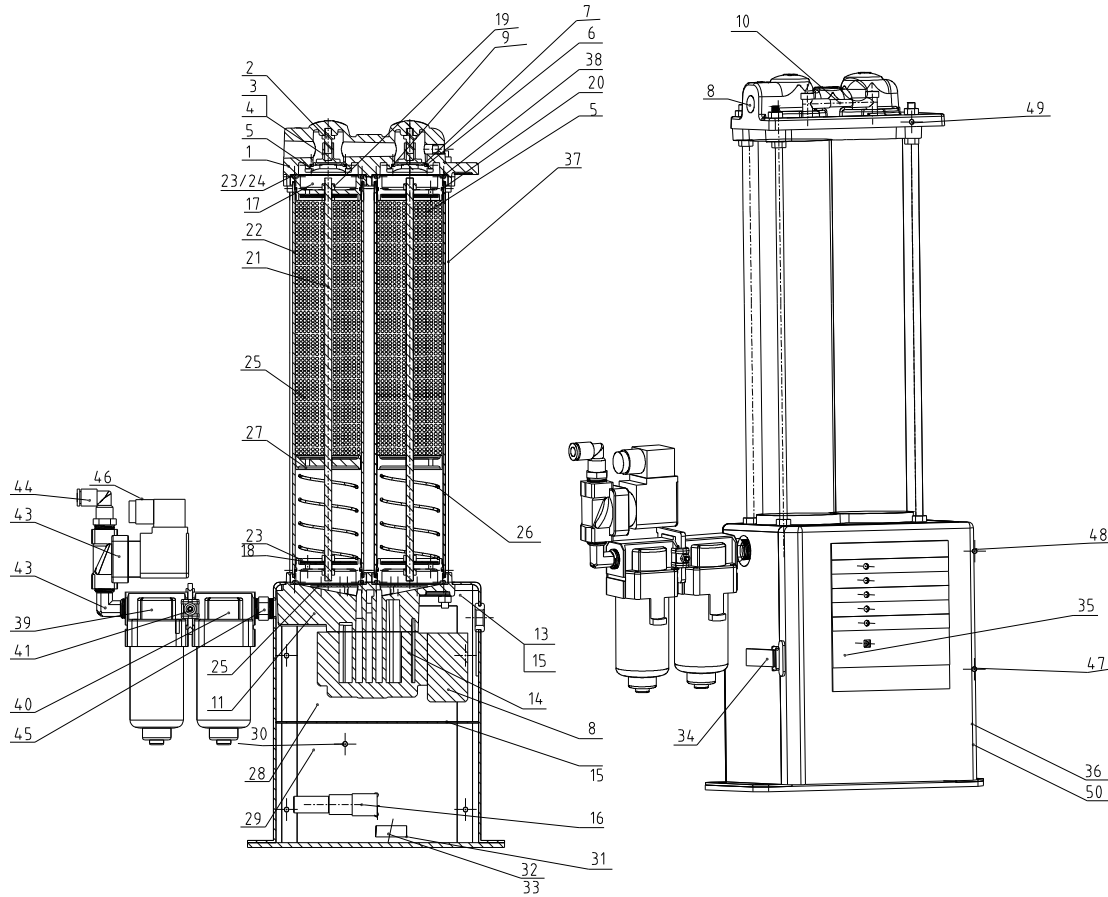
					制图		版号	0	标题	SHD-230U-HD	图号	SHD-230U-HD-ALL-01	比例	1:6	数量	1
					设计		核		回风过滤器					材质	/	
					校对		准						表面要求	/		
标记	更改前	更改后	更改人	日期	审核		日期	2024.05.07		信易電熱機械股份有限公司	Shini Plastics Technologies, Inc.	物料号	/			



"*"Indicates the items that may be damaged; "* *" indicates the items that are more likely to be damaged.
 It is recommended to back them up.
 Please confirm the version number of the instruction manual before placing an order to purchase spare parts, so as to ensure that the material number of spare parts is consistent with the physical one.

11	YW62051500000	Large cross socket flat head screw JIS1111 M6x16-Longline	8		
10	YR90854800000	Four hole eight glass 8*8*20(φ 12+14)(Ver.0) Material: PC	1	*	
9	YW69616100000	Hand twist screw MG*16*16	1		
8	YW09106000000	Small shut-off plate SSB-200/200 (with mold) SSB-200+16 version 0	1		
7	YA10010000230	Material discharge part (with mold)SSB-200+17(Ver.0)	1		
6	YW66102500000	Flat Washer 10x25x1.5 Dark Rust	4		
5	YW65010000000	Standard spring washer GB/T93 10	4		
4	YW60104000100	Hexagon head bolt GB/T5783 M10*40-8.8-Longline	4		
3	BA20020001510	Standard base BB-200+11 (Version 0) (Processed) (with mold)	1		
2	YW61061001800	Hexagon socket head screw GB70.1 M6x10-A2-70(SSS)	1		
1	YW09102000000	Large shut-off plate BB-200+16(Ver. 0) (has mold)	1		
序号	代号	名称	材质	数量	备注

					制图		版本号	0	标题	HB-200	图号	比例	1:3	数量	1
					设计		核准		标准底座	HB-200-A-ALL			材质	/	
					校对								表面要求	/	
标记	更改前	更改后	更改人	日期	审核		日期	2024.05.24	信易電熱機械股份有限公司 Shini Plastics Technologies, Inc.			物料号	BY10020003150		



technical requirement

1. During installation, pay attention to the airtightness of the joints of the trachea
2. Testing requirements: The inlet air volume is 0.35m³/min, and the outlet air volume is 0.30m³/min, The regeneration air volume is 0.05m³/min, the operating pressure range is 0.39-0.98MPa, and the ambient temperature is The dew point of the outlet air is -40 to -60 degrees Celsius, ranging from 2 to 40 degrees Celsius.
3. Voltage specification: 1 ∅ 230VAC 50HZ

50	YW69050400000	Open-type flat round 4x10-43-70	SUS304	8	Purchase
49	YW61061200000	Inner hexagon cylinder head screw M6x12-12.9	Longsine	3	Purchase
48	YW69035800000	Cross socket head tapping screw ST3.5x4	Longsine	7	Purchase
47	YE518023400000	Power plug wire W-002/SP/10A/250VAC blk.		1	Purchase
46	YE670011000000	Wire lock head P611		1	Purchase
45	BH12030800110	Copper connector 3/8PTx3/8PT (3-PT)	HR2	1	Purchase
44	YW80083800200	L thread connector AP18-03 1/8-#8		1	Purchase
43	YE322131000000	Solenoid valve 3/8 all type 220VAC model Y221310-10		1	Purchase
42	YW04030800100	Copper connector 3/8 inch x 3/8 inch L-shaped		1	Purchase
41	YW09030001500	Insulated plate(G) 1300-A	SMC	1	Purchase
40	YR50300300600	Oil mist separator AP03-03D-1	SMC	1	Purchase
39	YR50300300700	Oil mist separator AP03-03D-1	SMC	1	Purchase
38	YR205530000000	O-ring inner diameter ∅ 55 section ∅ 3		4	Purchase
37	YW90020300100	Double-head screw G2 EAD-0356-06-A-02	SUS304	4	mechanism
36	YW060002000000	Stainless steel hinge 2"	SUS	2	Purchase
35	YE800118000000	Handleless operation panel		1	Purchase
34		Control box lock/handle		1	Purchase
33	YE60000003900	Terminal fittings 2/0L series		2	Purchase
32	YE90002503200	Spring wiring terminal SKL.5		6	Purchase
31	YE906601000000	Guide rail 166-701		0.075	Purchase
30	YW61030600100	Cross socket counter sunk head screw GM18x6	Longsine	8	Purchase
29	YE60504000000	Handleless circuit boardIP-01		1	Purchase
28	BK90106600021	Sheet metal parts EAD-0106-06	龙光	1	Metal plate
27	YR401066300000	Adsorption cylinder inner sleeve EAD-0106-06-A-08		2	Purchase
26	YW015080000000	Spring ∅ 50 x 80 wire diameter 2	SUS304	2	Purchase
25	YP900408000000	Molecular sieve 4x4		1KG	Purchase
24	YW64000600300	Hexagon nut G8/7617M6	Longsine	22	Purchase
23	YW660612000000	Flat washer 4 grade G8/77.1 (6.4)132L-Q-70	SUS304	22	Purchase
22	BH13035600310	Adsorption cylinder EAD-0356-06-A-03	ACAD	2	mechanism
21	BH11035600110	Double-head screw G1 EAD-0356-06-A-01	SUS304	2	mechanism
20	YR20552500100	O-ring inner diameter 51.5, outer diameter 2.65mm	Fluororubber	4	Purchase
19	YW67040600600	Cross socket pan head self-tapping lock screw GM55x4x16	Longsine	18	Purchase
18	YP621006600000	Filter cotton EAD-0106-06-A-10	Sponge	0.001	Purchase
17	BH13016130010	Adsorption tube sleeve EAD-0106-06-A-04	AUC12	4	mechanism
16	YW906600000000	Silencer AM1-CM6	SMC	1	Purchase
15	YW520860000000	Radial direct connection AP04-6	Air TAC	1	Purchase
14	YE603540000000	Solenoid valve YF3311-S8		1	Purchase
13	YR600008000000	PU air pipe 60x60 black	Plastic	0.22M	Purchase
12	YW800814000000	Thread direct connection AP04-01 1/4-#8	Air TAC	1	Purchase
11	BH13006180010	Adsorption cylinder inner end cover EAD-0106-06-A-03	T6001	1	mechanism
10		PU air pipe 60 black		0.05M	Purchase
9	YW806011200000	External hexagonal joint AP04-01		2	Purchase
8	YE308300000000	One-way throttle valve AS78-03 3/8-#8 Exhaust type	Air TAC	1	Purchase
7	YW630406000000	Cross recessed pan head screw GM718x16	Longsine	6	Purchase
6	YR202362000000	O-ring inner diameter 51.5, outer diameter 2.65V	Fluororubber	2	Purchase
5	BH13106500010	Air inlet floating plate EAD-0106-06-A-23	SPOCL.0	2	Metal plate
4	BH12010660010	Check valve copper inner sleeve	H62	2	mechanism
3	BH12168900040	Check valve EAD with fanlator		2	Purchase
2	BH10010600010	Valve sleeve EAD-0106-06-A-01	SUS304	2	mechanism
1	BH13016700010	Adsorption cylinder upper end cover EAD-0106-06-A-12		1	mechanism

序号	代号	名称	材质	数量	备注
		标题 无热式HAD-0356-06 图号		比例 1.4	数量 1
		(无电源开关)总装图		数量	1
				材质	组件
				表面要求	
标记	更改前	更改后	更改人	日期	审核
				日期	2024.10.29
		SHINI 信易电热机械股份有限公司 Shini Plastics Technologies, Inc.		物料号	BY90035600250