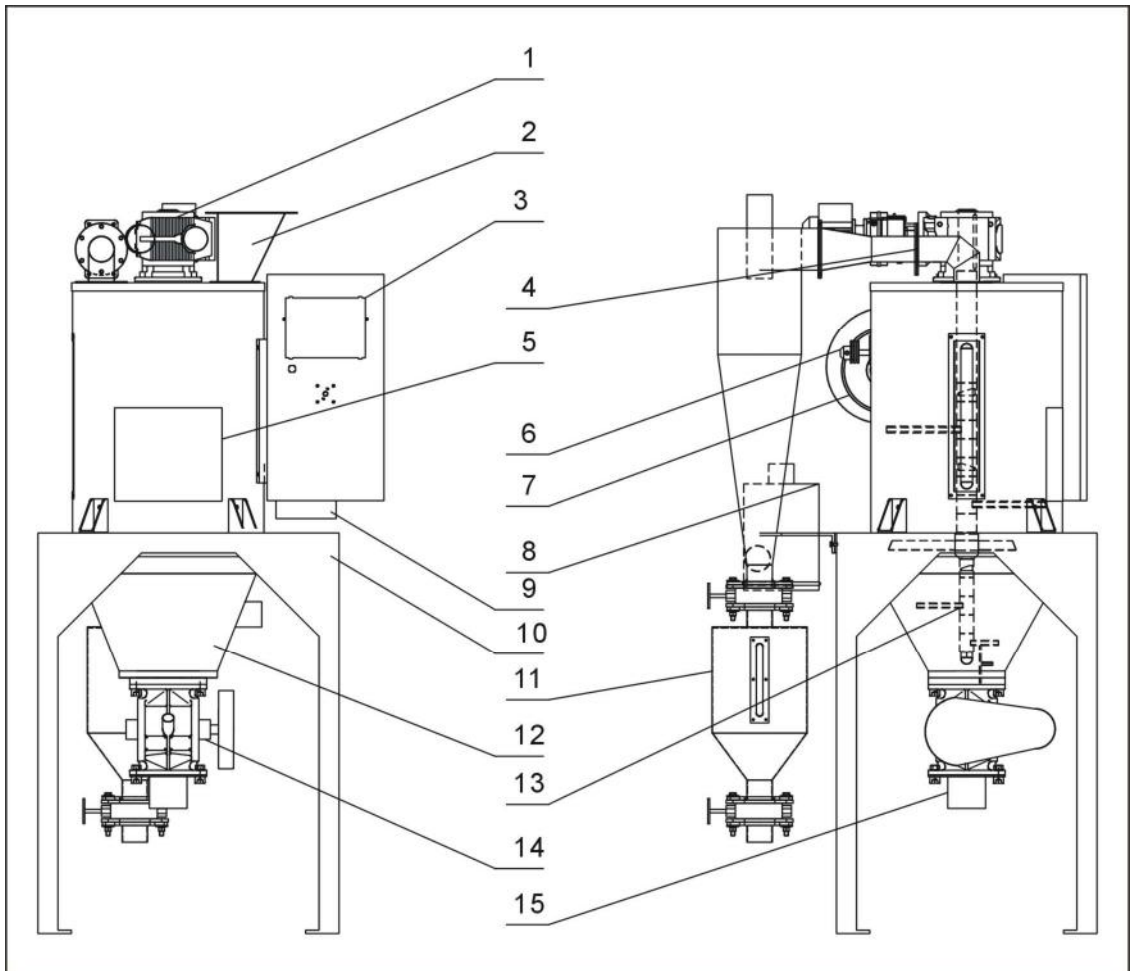


2.2 Drawing and Parts List

2.2.1 Assembly Drawing (SCR-160)



Remarks: Please refer to material list 2.2.2 for specific explanation of the Arabic numbers in parts drawing.

Picture 2-2: Assembly Drawing (SCR-160U)

2.2.2 Parts List (SCR-160U)

Table 2-1: Parts List (SCR-160U)

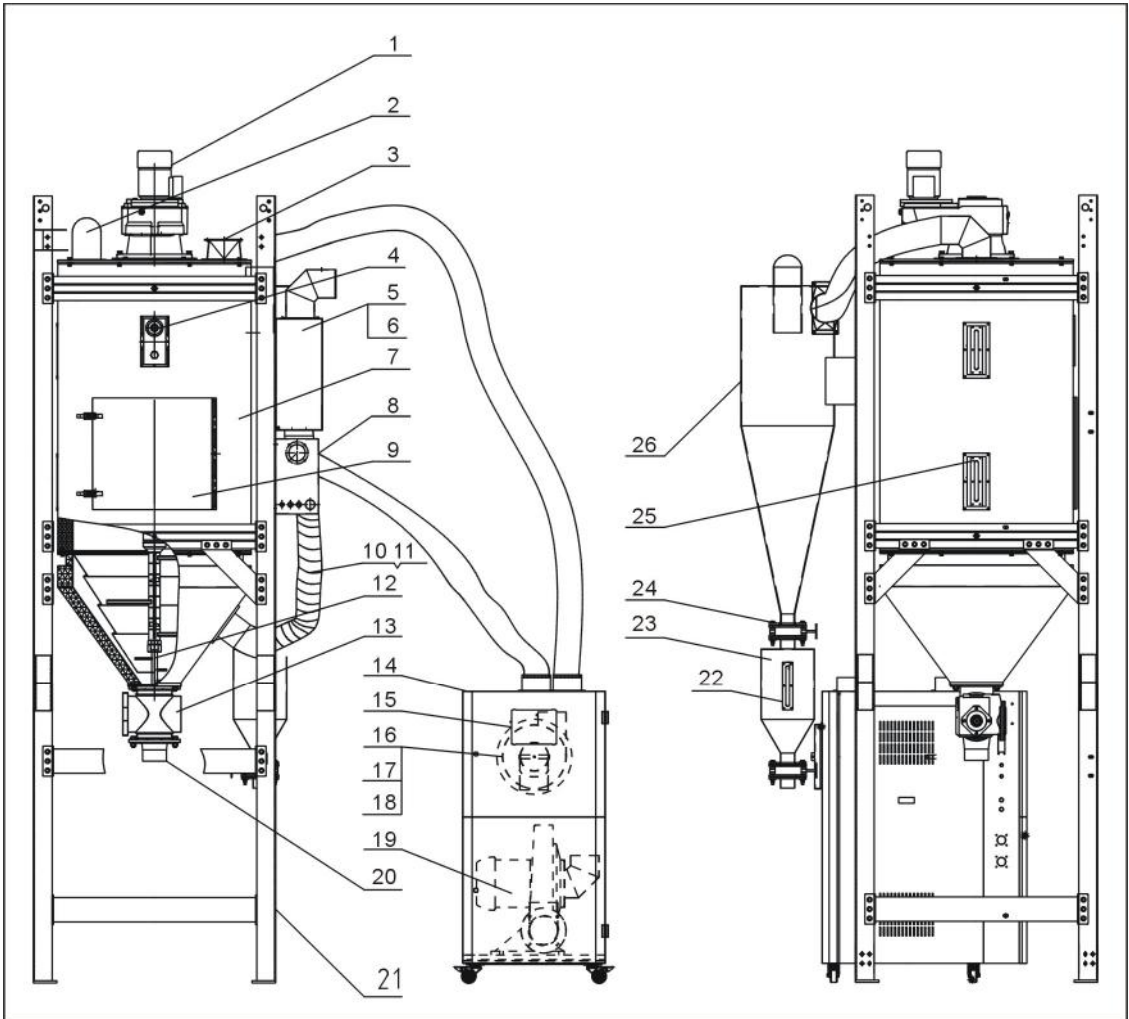
No.	Name	Part No.
1	Blending motor*	YM10673700000
2	Transitional flange	-
3	Electrical control box	-
4	Air outlet pipe	-
5	Clearance door	-
6	Level sensor *	YE15000200000-
7	Blower*	YM30055000000
8	Filter barrel	-
9	Heating case	-
10	Floor stand	-
11	Cyclone dust collector	-
12	Material storage tank components	-
13	Mixing components	-
14	Rotary valve SRV4	-
15	Rotary valve connection pipe	-

* means possible broken parts.

** means easy broken part. and spare backup is suggested.

Please confirm the version of manual before placing the purchase order to guarantee that the item number of the spare part is in accordance with the real object.

2.2.3 Assembly Drawing (SCR-450U/900U/1600U)



Remarks: Please refer to material list 2.2.4 for specific explanation of the Arabic numbers in parts drawing.

Picture 2-3: Assembly Drawing (SCR-450U/900U/1600U)

2.2.4 Parts List (SCR-450U/900U/1600U)

Table 2-2: Parts List (SCR-450U/1600U)

No.	Name	Part No.		
		SCR-450U	SCR-900U	SCR-1600U
1	Blending motor*	-	-	-
2	Return-air pipe flange	-	-	-
3	Feed port connecting flange	-	-	-
4	Rotary material level sensor*	YE15000200000	YE15000200000	YE15000200000
5	Heating cabinet	-	-	-
6	Heater	BH70452400050	BH70904800050	BH70168600050
7	Material storage tank assembly	-	-	-
8	Door for cleaning	-	-	-
9	Sight-glass	-	-	-
10	Heat-resistant pipe*	YW72053600000	YW72060400000	YW72080400000
11	Stainless steel pipe bundle	YW02000500000	YW02006500000	YW02000800000
12	Blender	-	-	-
13	Rotary valve	-	-	-
14	Electrical control cabinet	-	-	-
15	Blower support	-	-	-
16	Control cabinet	-	-	-
17	Filter barrel	-	-	-
18	Filter*	YR50241400100	YR50275700000	YR50275700000
19	Fastener for filter barrel*	YR10026000100	YR10034000100	YR10034000100
20	Blower*	BM30224000050	BM30304000000	BM30190500000
21	Rotary valve connecting pipe	-	-	-
22	Floor stand	-	-	-
23	Six-hole sight-glass	BH90000600050	BH90000600050	BH90000600050
24	Dust collecting bin	-	-	-
25	Manual butterfly valve	YW59030000100	YW59030000100	YW59512200000
26	Cyclone dust separator	-	-	-

* means possible broken parts.

** means easy broken part. and spare backup is suggested.

Please confirm the version of manual before placing the purchase order to guarantee that the item number of the spare part is in accordance with the real object.