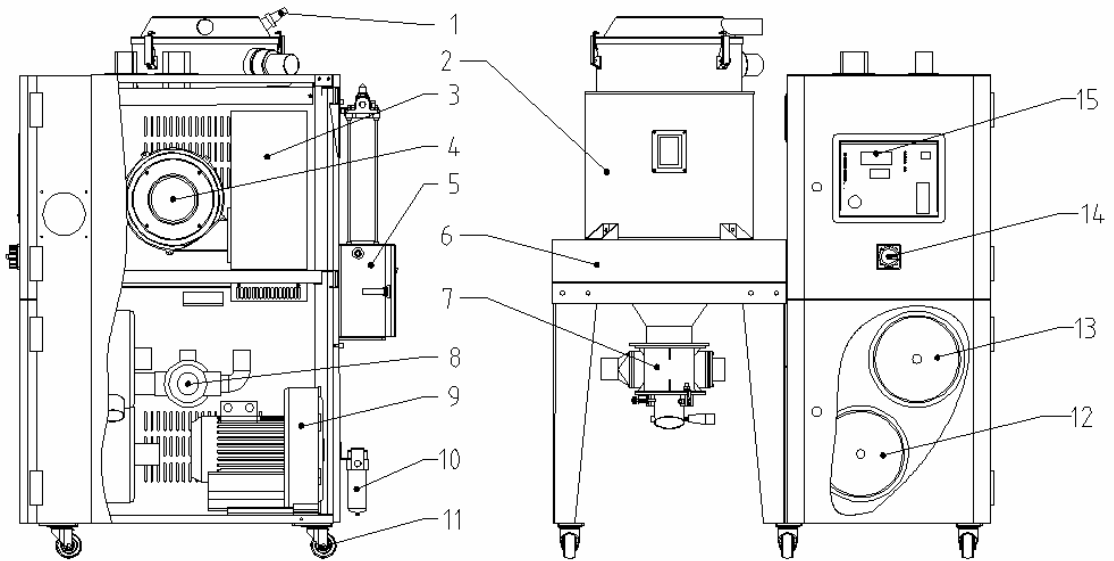


2.2 Drawing and Parts List

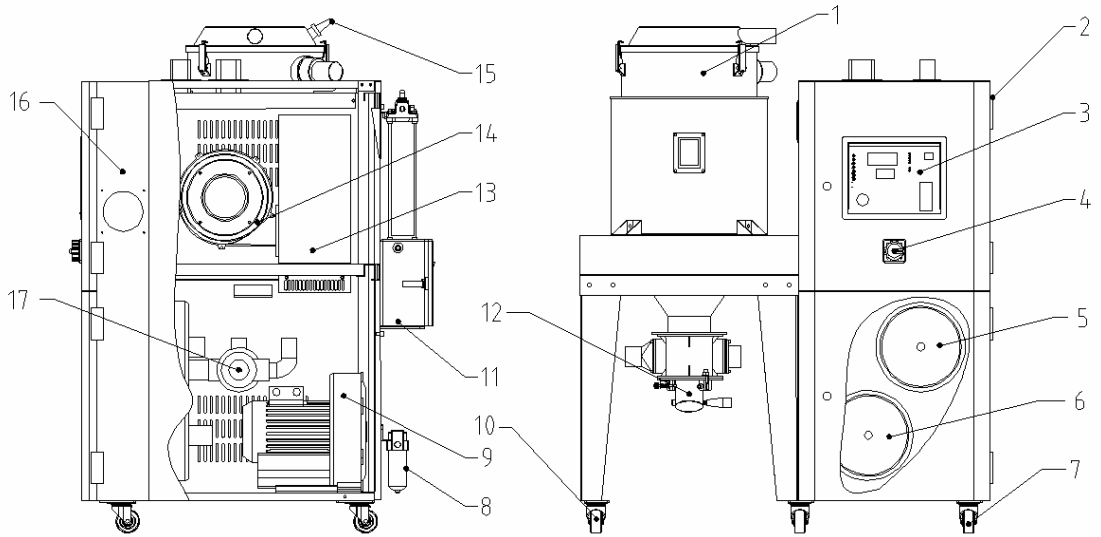
2.2.1 System structure



- | | |
|------------------------------------|--|
| 1. Silencer | 2. Insulated hopper |
| 3. Heating box | 4. Drying blower |
| 5. Heatless regeneration air dryer | 6. Rack |
| 7. Shut-off valve suction box | 8. Three-way valve |
| 9. Conveying blower | 10. Filter & pressure regulating valve |
| 11. Castor | 12. Filter |
| 13. Filter | 14. Main power switch |
| 15. Control panel | |

Picture 2-2: System structure

2.2.2 Assembly Drawing



Remarks: Please refer to material list 2.2.3 for specific explanation of the Arabic numbers in parts drawing.

Picture 2-3: Assembly Drawing

2.2.3 Parts List

Table 2-1: Parts List (SDL-20U~120U-HD)

No.	Name	Part No.			
		SDL-20U-HD	SDL-40U-HD	SDL-80U-HD	SDL-120U-HD
1	Insulated hopper	BY10002000150	BY10004000150	BY10008000150	BY10012000250
2	Door hinge	YW06203100200	YW06203100200	YW06203100200	YW06203100200
3	Plastic panel	YR40000400400	YR40000400400	YR40000400400	YR40000400400
4	Main power switch	YE10200300000	YE10200300000	YE10200300000	YE10200300000
5	Filter	YR50708000100	YR50708000100	YR50708000100	YR50708000100
6	Filter	YR50708000100	YR50708000100	YR50708000100	YR50708000100
7	3" castor	YW03000300000	YW03000300000	YW03000300000	YW03000300000
8	Filter & pressure regulating valve*	YE30200020000	YE30200020000	YE30200020000	YE30200020000
9	Conveying blower*	BM30042000050	BM30042000050	BM30042000050	BM30042000050
10	3" castor	YW03000300200	YW03000300200	YW03000300200	YW03000300200
11	Heatless regeneration dryer *	BY90106600050	BY90106600050	BY90106600050	BY90206600050
12	Shut-off valve suction box	BY10203800050	BY10203800050	BY10203800050	BY10203800050
13	Pipe heater**	BH70202200050	BH70400300350	BH70803900250	BH70123900150
14	Drying blower*	BM40001500850	BM40025300850	BM40338000850	BM40338000850
15	Copper silencer	YW80000400300	YW80000400300	YW80000400300	YW80000400300
16	Control box	BH35002000050	BH35004000050	BH35008000050	BH35012000050
17	Three-way valve	BY20001500050	BY20001500050	BY20001500050	BY20001500050

* means possible broken parts.

** means easy broken part. and spare backup is suggested.

Please confirm the version of manual before placing the purchase order to guarantee that the item number of the spare part is in accordance with the real object.

Table 2-2: Parts List (SDL-160U~450U-HD)

No.	Name	Part No.			
		SDL-160U-HD	SDL-230U-HD	SDL-300U-HD	SDL-450U-HD
1	Insulated hopper	BY10016000150	BY10023000050	BY10030000550	BY10045000050
2	Door hinge	YW06203100200	YW06203100200	YW06203100200	YW06203100200
3	Plastic panel	YR40000400400	YR40000400400	YR40000400400	YR40000400400
4	Main power switch	YE10200300000	YE10200300000	YE10200300000	YE10200300000
5	Filter	YR50203000000	YR50203000000	YR50203000000	YR50203000000
6	Filter	YR50708000100	YR50708000100	YR50708000100	YR50181100000
7	3" castor	YW03000300000	YW03000300000	YW03000300000	YW03000300000
8	Filter & pressure regulating valve*	YE30200020000	YE30200020000	YE30200020000	YE30200020000
9	Conveying blower*	BM30042000050	BM30042000050	BM30042000050	BM30042000050
10	3" castor	YW03000300200	YW03000300200	YW03000300200	YW03000300200
11	Heatless regeneration dryer *	BY90206600050	BY90035600050	BY90035600050	YE90112100000
12	Shut-off valve suction box	BY10163800250	BY10163800250	BY10163800250	BY10163800250
13	Pipe heater**	BH70160600250	BH70230600250	BH70301200150	BH70451200250
14	Drying blower*	BM40000450850	BM40000450850	BM40538000850	BM40538000850
15	Copper silencer	YW80000400300	YW80000400300	YW80000400300	YW80000400300
16	Control box	BH35016000050	BH35023000050	BH35030000050	BH35030000050
17	Three-way valve	BY20001500050	BY20001500050	BY20001500050	BY20001500050

* means possible broken parts.

** means easy broken part. and spare backup is suggested.

Please confirm the version of manual before placing the purchase order to guarantee that the item number of the spare part is in accordance with the real object.

Table 2-3: Parts List (SDL-600U~1200U-HD)

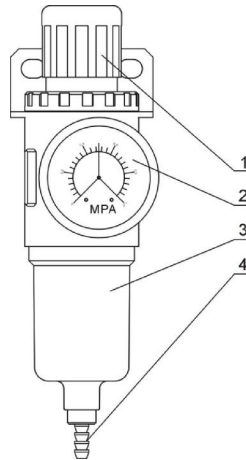
No.	Name	Part No.			
		SDL-600U-HD	SDL-750U-HD	SDL-900U-HD	SDL-1200U-HD
1	Insulated hopper	BY10016000150	-	-	-
2	Door hinge	YW06203100200	-	-	-
3	Plastic panel	YR40000400400	-	-	-
4	Main power switch	YE10200300000	-	-	-
5	Filter	YR50241400000	-	-	-
6	Filter	YR50181100000	-	-	-
7	3" castor	YW03000400000	-	-	-
8	Filter & pressure regulating valve*	YE30200020000	-	-	-
9	Conveying blower*	BM30042000050	-	-	-
10	3" castor	YW03000400200	-	-	-
11	Heatless regeneration dryer *	YE90112100000	-	-	-
12	Shut-off valve suction box	BY10163800250	-	-	-
13	Pipe heater**	BH70601800250	-	-	-
14	Drying blower*	BM30055000250	-	-	-
15	Copper silencer	YW80000400300	-	-	-
16	Control box	BH35060000050	-	-	-
17	Three-way valve	BY20001500050	-	-	-

* means possible broken parts.

** means easy broken part. and spare backup is suggested.

Please confirm the version of manual before placing the purchase order to guarantee that the item number of the spare part is in accordance with the real object.

2.2.4 Filter & Pressure Regulating Valve Drawing

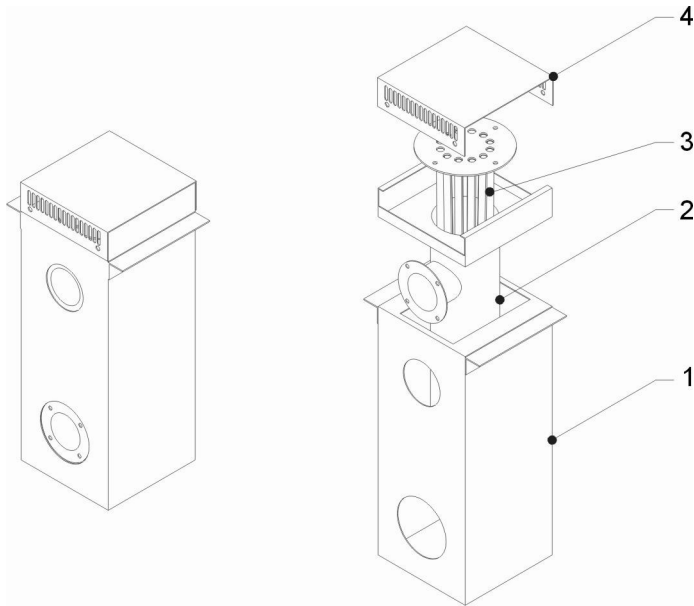


Parts list:

1. Pressure adjusting knob 2. Pressure gauge 3. Cup 4. Water outlet

Picture 2-4: Filter & Pressure Regulating Valve Drawing

2.2.5 Heater



Parts Name:

- | | |
|------------------------------------|--------------------------|
| 1. Heating chamber's outer housing | 2. Hot-air tube |
| 3. Pipe heater | 4. Heating chamber cover |

Picture 2-5: Heater