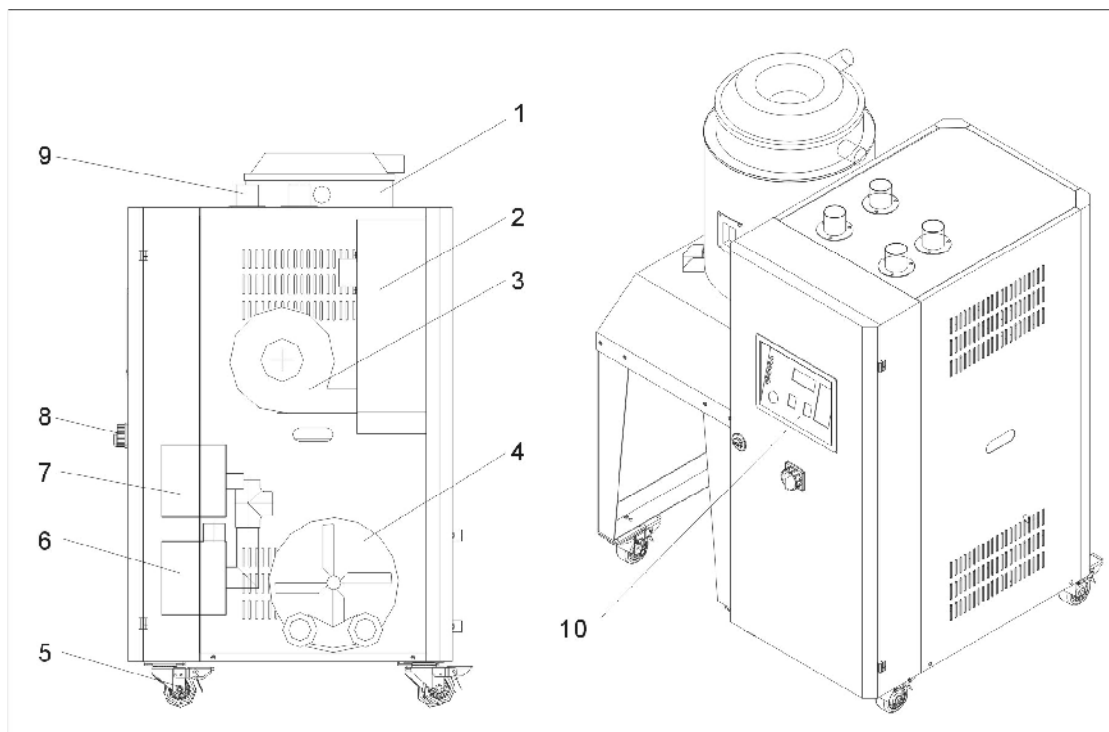


## 2.2 Drawing and Parts List

### 2.2.1 System structure

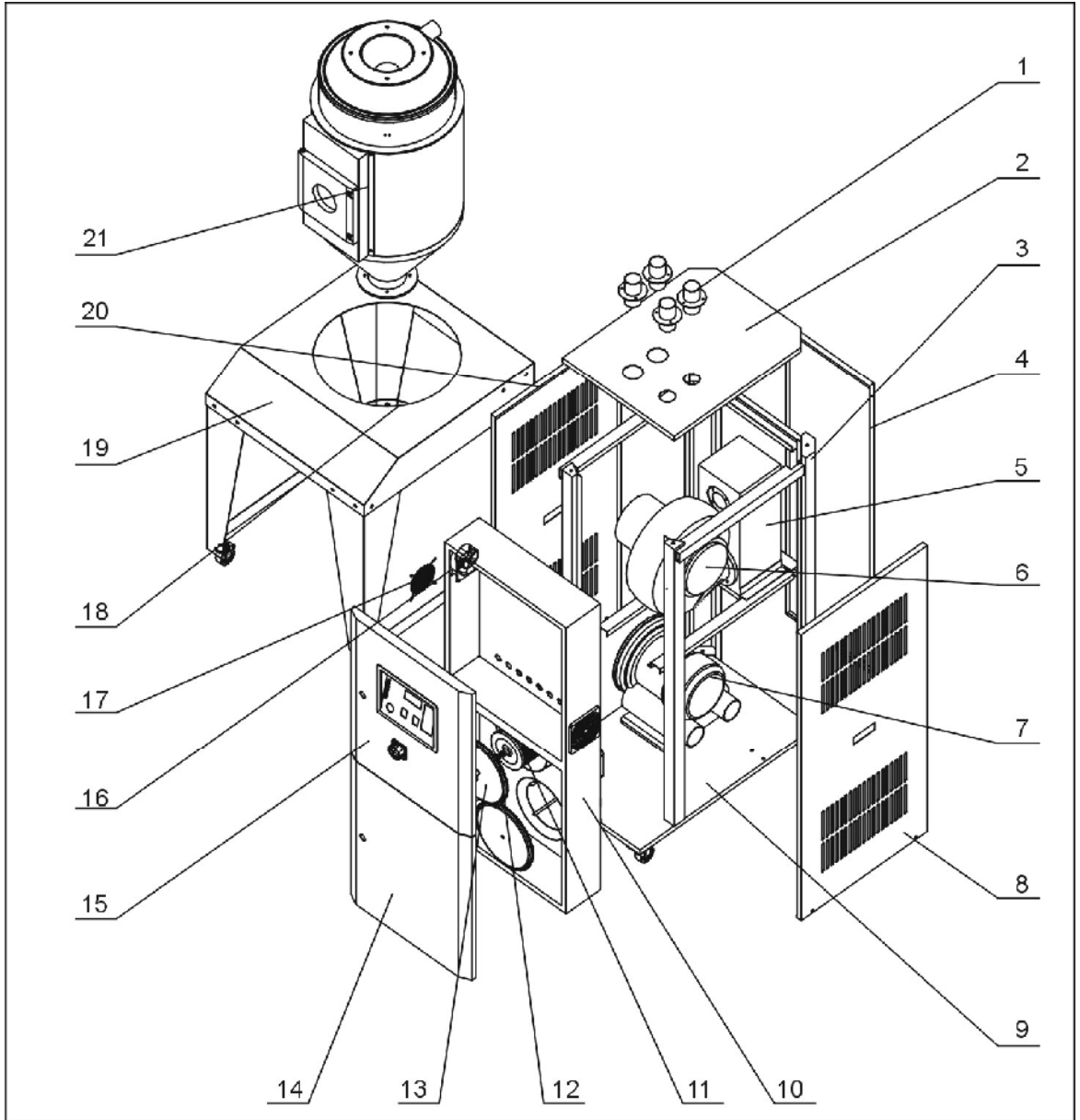


#### Names of Parts:

- |                   |                     |                   |                      |
|-------------------|---------------------|-------------------|----------------------|
| 1. DH drying tank | 2. Heating box      | 3. Process blower | 4. Conveying blower  |
| 5. Castor         | 6. Conveying filter | 7. Process filter | 8. Main power switch |
| 9. Material line  | 10. Control panel   |                   |                      |

Picture 2-2: System structure

## 2.2.2 Assembly Drawing



Remarks: Please refer to material list 2.2.3 for specific explanation of the Arabic numbers in parts drawing.

Picture 2-3: Assembly Drawing

## 2.2.3 Parts List

Table 2-1: Parts List

No.	Name	Part No.			
		SDL-80U	SDL-160U	SDL-300U	SDL-600U
1	Pipe connector	-	-	-	-
2	Top plate	-	-	-	-
3	Frame	-	-	-	-
4	Back plate	-	-	-	-
5	Heating box	-	-	-	-
6	Process blower*	BM40003000250	BM40003000250	BM40005000150	BM30055000150
7	Conveying blower *	BM30031000150	BM30042000050	BM30042000050	BM30042000050
8	Side plate	-	-	-	-
9	Base plate	-	-	-	-
10	Electrical control box	BH35255000050	BH35010000050	BH35010000050	BH35020000050
11	Filter**	YR50708000100	YR50708000100	YR50708000100	YR50708000100
12	Butterfly nut	YW69051600000	YW69051600000	YW69051600000	YW69051600000
13	Filter cover	-	-	-	-
14	Below door plate	-	-	-	-
15	Top door plate Fan	-	-	-	-
16	Fan cover	YM60121200400	YM60121200400	YM60121200400	YM60121200400
17	Shut-off valve suction box	YR40120300000	YR40120300000	YR40120300000	YR40120300000
18	Castor	BY10203800050	BY10203800050	BY10203800050	BY10203800050
19	Side plate	BY10801200050	BY10162300050	BY10304500050	BY10607500050
20	DH drying tank	-	-	-	-
21	Pipe connector	BY10008000150	BY10016000150	BY10030000550	BY10060000250

\* means possible broken parts.

\*\* means easy broken part. and spare backup is suggested.

Please confirm the version of manual before placing the purchase order to guarantee that the item number of the spare part is in accordance with the real object.

Table 2-2: Parts List (SDL-20U~120U)

No.	Name	Part No.			
		SDL-20U	SDL-40U	SDL-80U	SDL-120U
1	Insulated hopper	BY10002000150	BY10004000150	BY10008000150	BY10012000250
2	Shut-off valve suction box	BY10163800250	BY10163800250	BY10163800250	BY10163800250
3	Castor	-	-	-	-
4	Castor	YW03000300200	YW03000300200	YW03000300200	YW03000300200
		YW03000300000	YW03000300000	YW03000300000	YW03000300000
5	Top door plate	-	-	-	-
6	Below door plate	-	-	-	-
7	Filter cover	YL21001200200	YL21001200200	YL21001200200	YL21001200200
8	Filter**	YR50708000100	YR50708000100	YR50708000100	YR50708000100
9	Base plate	-	-	-	-
10	Three-way valve	BY20150000050	BY20150000050	BY20150000050	BY20150000050
11	Control box	-	-	-	-
12	Material suction blower*	BM30031000150	BM30031000150	BM30031000150	BM30031000150
13	Frame	-	-	-	-
14	Right side plate	-	-	-	-
15	Ventilator	YM60121200400	YM60121200400	YM60121200400	YM60121200400
16	Back board	-	-	-	-
17	Heating box	-	-	-	-
18	Drying blower	BM40001500200	BM40001500200	-	-
19	Deck plate	-	-	-	-
20	Pipe connector	-	-	-	-
21	Left side plate	-	-	-	-

\* means possible broken parts.

\*\* means easy broken part. and spare backup is suggested.

Please confirm the version of manual before placing the purchase order to guarantee that the item number of the spare part is in accordance with the real object.

Table 2-3: Parts List (SDL-160U~450U)

No.	Name	Part No.			
		SDL-160U	SDL-230U	SDL-300U	SDL-450U
1	Insulated hopper	BY10016000150	BY10023000050	BY10030000550	BY10045000050
2	Shut-off valve suction box	BY10163800250	BY10163800250	BY10163800250	BY10163800250
3	Castor	-	-	-	-
4	Castor	YW03000300200	YW03000300200	YW03000300200	YW03000300200
		YW03000300000	YW03000300000	YW03000300000	YW03000300000
5	Top door plate	-	-	-	-
6	Below door plate	-	-	-	-
7	Filter cover	YL21001200200	YL21001200200	YL21001200200	YL21001200200
8	Filter**	-	-	-	-
9	Base plate	-	-	-	-
10	Three-way valve	BY20150000050	BY20150000050	BY20150000050	BY20150000050
11	Control box	-	-	-	-
12	Material suction blower*	BM30031000150	BM30031000150	BM30031000150	BM30031000150
13	Frame	-	-	-	-
14	Right side plate	-	-	-	-
15	Ventilator	YM60121200400	YM60121200400	YM60121200400	YM60121200400
16	Back board	-	-	-	-
17	Heating box	-	-	-	-
18	Drying blower	BM40004000150	BM40004000150	BM40005000150	BM40005000150
19	Deck plate	-	-	-	-
20	Pipe connector	-	-	-	-
21	Left side plate	-	-	-	-

\* means possible broken parts.

\*\* means easy broken part. and spare backup is suggested.

Please confirm the version of manual before placing the purchase order to guarantee that the item number of the spare part is in accordance with the real object.

Table 2-4: Parts List (SDL-600U~1200U)

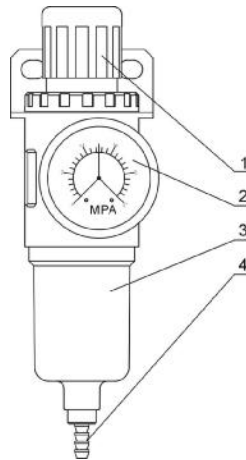
No.	Name	Part No.			
		SDL-600U	SDL-750U	SDL-900U	SDL-1200U
1	Insulated hopper	BY10016000150	BY10075000050	BY10090000150	BY10120000050
2	Shut-off valve suction box	BY10163800250	BY10163800250	BY10165000250	BY10165000250
3	Castor	-	-	-	-
4	Castor	YW03000400200	YW03000400200	YW03000400200	YW03000400200
		YW03000400000	YW03000400000	YW03000400000	YW03000400000
5	Top door plate	-	-	-	-
6	Below door plate	-	-	-	-
7	Filter cover	-	-	-	-
8	Filter**	-	-	-	-
9	Base plate	-	-	-	-
10	Three-way valve	BY20150000050	BY20150000050	BY20200000150	BY20200000150
11	Control box	-	-	-	-
12	Material suction blower*	BM30042000050	BM30042000050	BM30042000050	BM30042000050
13	Frame	-	-	-	-
14	Right side plate	-	-	-	-
15	Ventilator	YM60121200400	YM60121200400	YM60121200400	YM60121200400
16	Back board	-	-	-	-
17	Heating box	-	-	-	-
18	Drying blower	BM30055000150	BM30055000150	BM30055000150	BM30055000150
19	Deck plate	-	-	-	-
20	Pipe connector	-	-	-	-
21	Left side plate	-	-	-	-

\* means possible broken parts.

\*\* means easy broken part. and spare backup is suggested.

Please confirm the version of manual before placing the purchase order to guarantee that the item number of the spare part is in accordance with the real object.

## 2.2.4 Filter & Pressure Regulating Valve Drawing

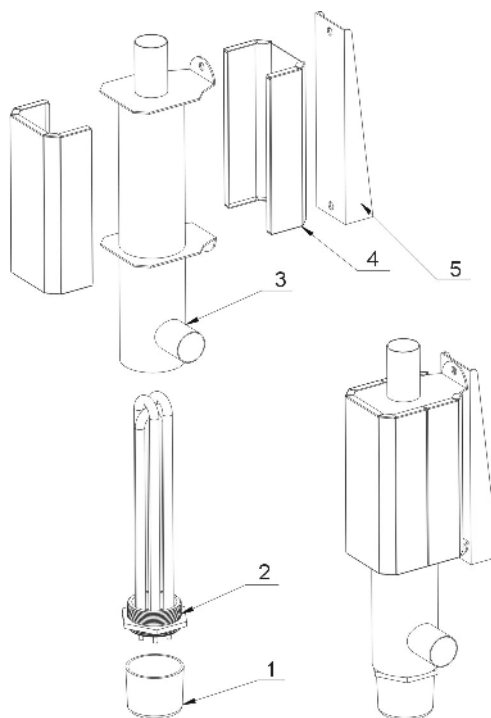


### Parts list:

1. Pressure adjusting knob    2. Pressure gauge    3. Cup    4. Water outlet

Picture 2-4: Filter & Pressure Regulating Valve Drawing

## 2.2.5 Heater



Parts Name:

- |                         |                |                   |
|-------------------------|----------------|-------------------|
| 1. Electric wood cover  | 2. Pipe heater | 3. Heating bucket |
| 4. Outer covering board | 5. Fixer       |                   |

Picture 2-5: Heater