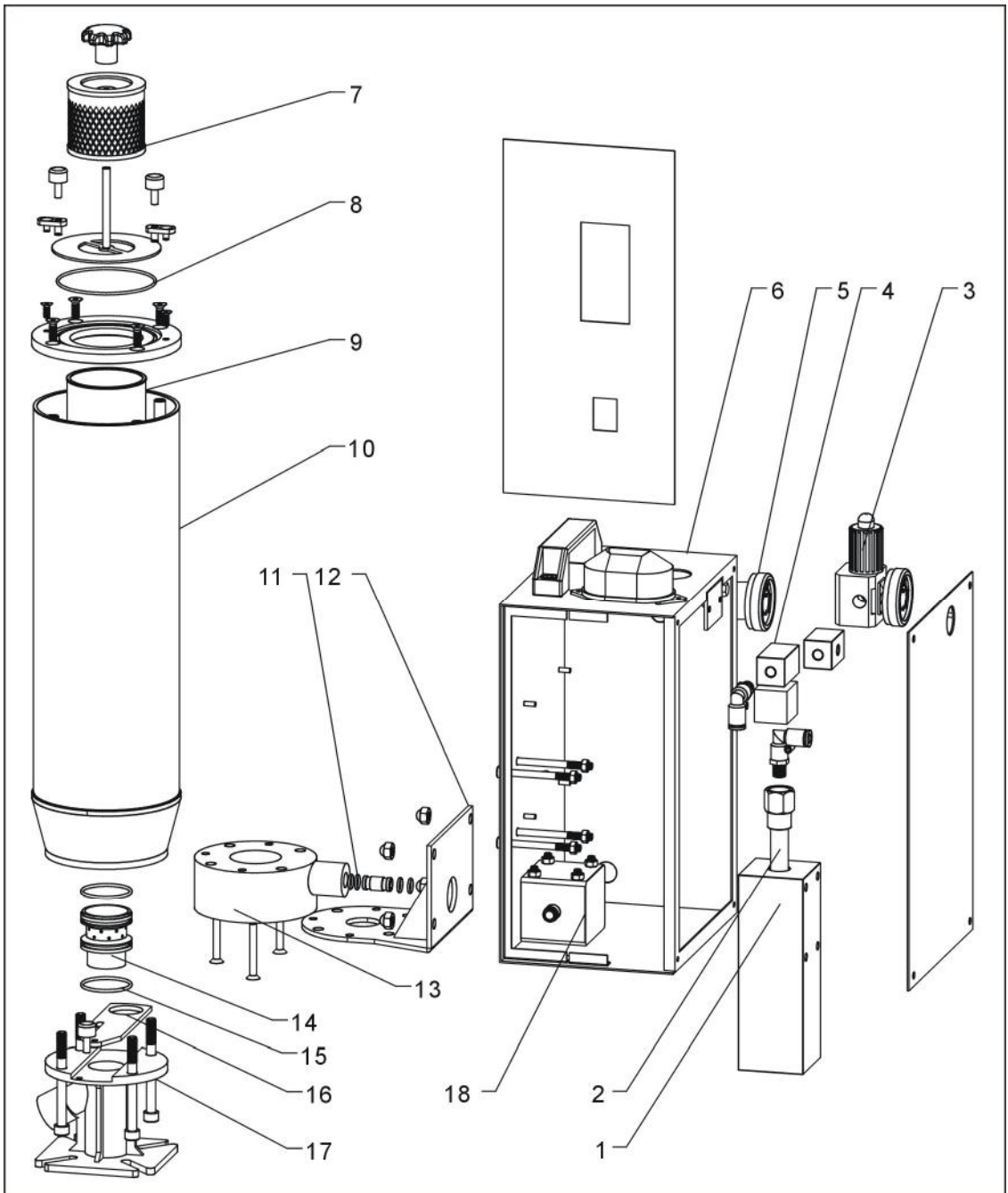


## 2.2 Drawing and Parts List

### 2.2.1 Assembly Drawing (SCAD-1U~6U)



Remarks: Please refer to material list 2.2.2 for specific explanation of the Arabic numbers in parts drawing.

Picture 2-3: Assembly Drawing (SCAD-1U~6U)

## 2.2.2 Parts List (SCAD-1U~6U)

Table 2-1: Parts List (SCAD-1U~6U)

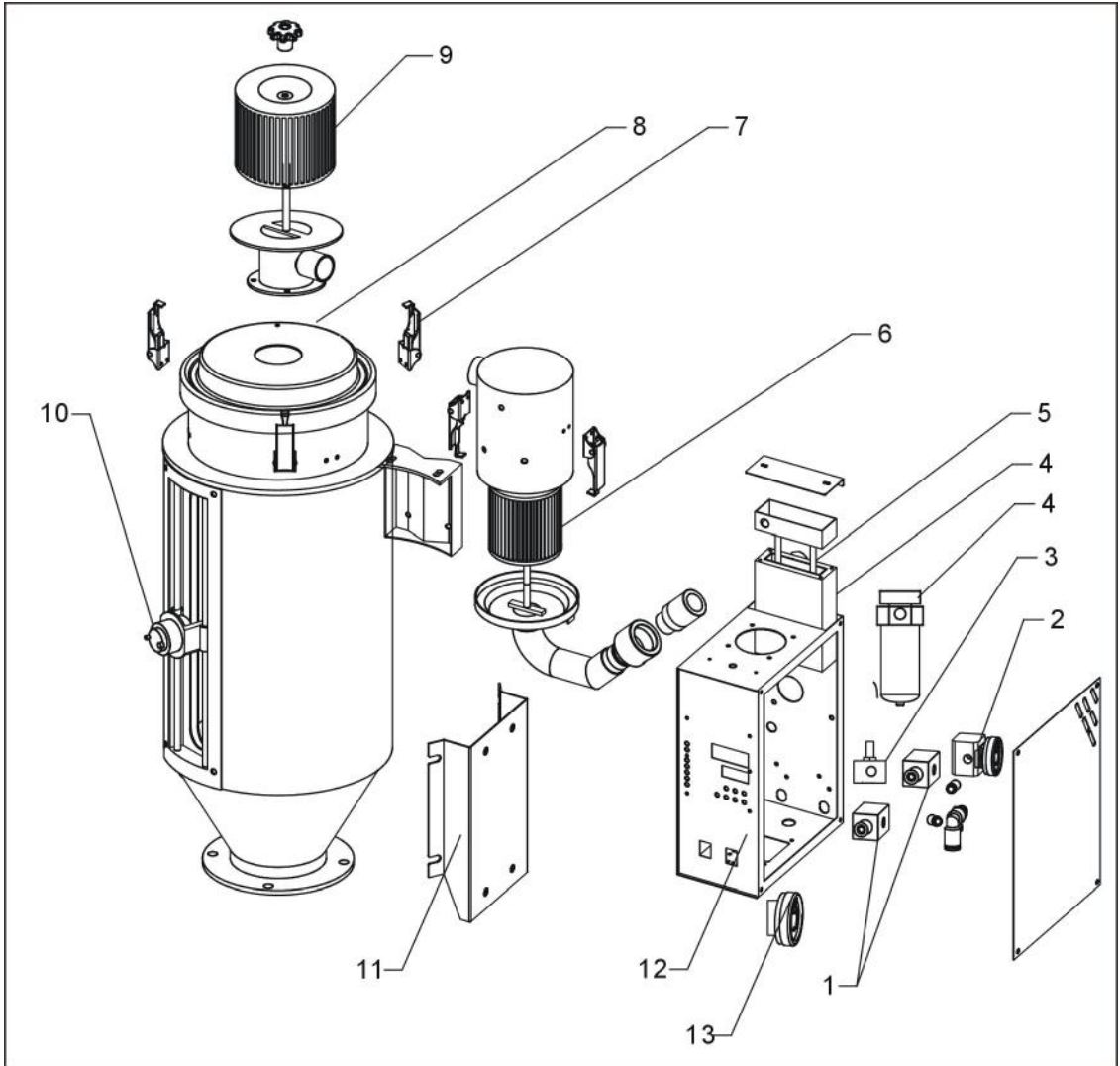
No.	Name	Part No.		
		SCAD-1U	SCAD-3U	SCAD-6U
1	Heating case	-	-	-
2	Pipe heater**	BH40108000050	BH40108000050	BH40108000050
3	Pressure regulating valve GR-200-06*	YE30200060000	YE30200060000	YE30200060000
4	Solenoid valve *	BE32513000050	BE32513000050	BE32513000050
5	Pressure switch	YE15015000000	YE15015000000	YE15015000000
6	Control box	-	-	-
7	Filter **	YR50101700000	YR50101700000	YR550956000000
8	O type seal ring *	YR20258900000	YR20259800000	YR20125300100
9	Inside glass tube **	YW70765300000	YW70110500000	YW70130125000
10	Outside glass tube **	YW70132500000	YW70150450000	YW70180175000
11	O type seal ring *	YR20101800000	YR20101800000	YR20101800000
12	Fixed board of control box	-	-	-
13	Hopper base	-	-	-
14	Inner sleeve of the hopper	-	-	-
15	O type seal ring *	YR20412200000	YR20412200000	YR20412200000
16	Shut-off plate	-	-	-
17	Base	-	-	-
18	Heating case 2	-	-	-

\* means possible broken parts.

\*\* means easy broken part. and spare backup is suggested.

Please confirm the version of manual before placing the purchase order to guarantee that the item number of the spare part is in accordance with the real object.

### 2.2.3 Assembly Drawing (SCAD-12U and Models Above)



Remarks: Please refer to material list 2.2.4 for specific explanation of the Arabic numbers in parts drawing.

Picture 2-3: Assembly Drawing (SCAD-12U and Models Above)

## 2.2.4 Parts List (SCAD-12U and Models Above)

Table 2-2: Parts List (SCAD-12U and Models Above)

No.	Name	Part No.	
		SCAD-12U	SCAD-20U
1	Solenoid valve *	BE32513000050	BE32513000050
2	Pressure switch *	YE15015000000	YE15015000000
3	Flow adjustable tracheal connector *	YW80083800000	YW80083800000
4	Filter & pressure regulating valve *	YE30421400000	YE30421400000
5	Pipe heater **	BH70122060050	BH70122060050
6	Filter (ADC27)**	YR50956000000	YR50956000000
7	Snap hook	YW02003000400	YW02003000400
8	Drying tank components	-	-
9	Filter (ADC18)**	YR50128300100	YR50128300100
10	Level sensor	YE15002000000	YE15002000000
11	Fixed board of control box	-	-
12	Control box	-	-
13	Ego*	BH90115000050	BH90115000050

\* means possible broken parts.

\*\* means easy broken part. and spare backup is suggested.

Please confirm the version of manual before placing the purchase order to guarantee that the item number of the spare part is in accordance with the real object.