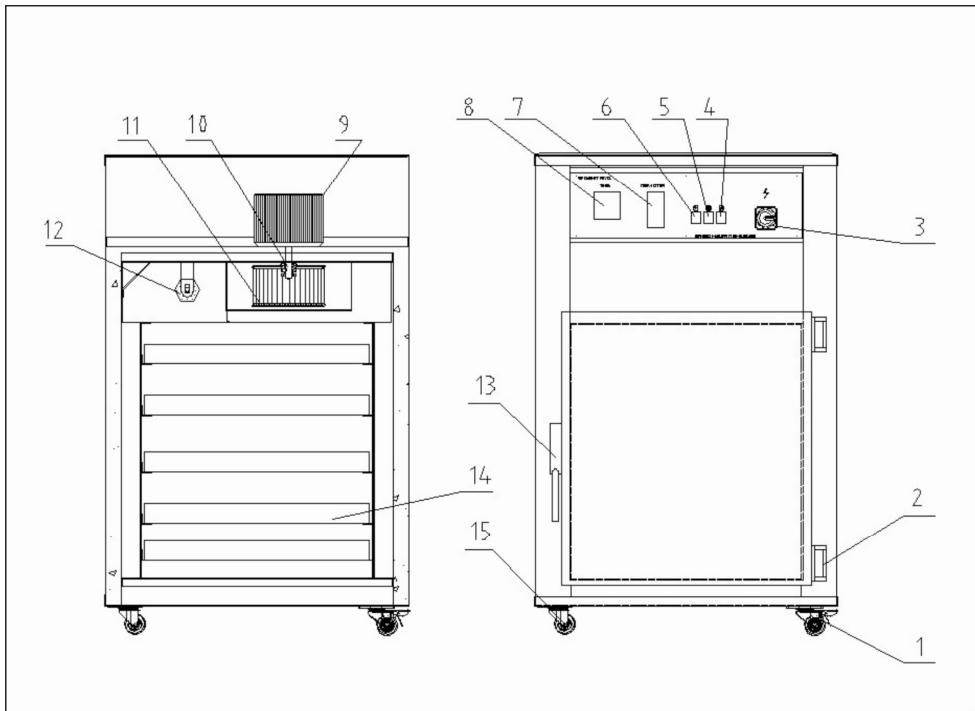


2.3 Drawing and Parts List

2.3.1 Assembly Drawing (CD-5/9(HT))



Remarks: Please refer to material list 2.3.2 for specific explanation of the Arabic numbers in parts drawing.

Picture 2-2: Assembly Drawing (CD-5/9(HT))

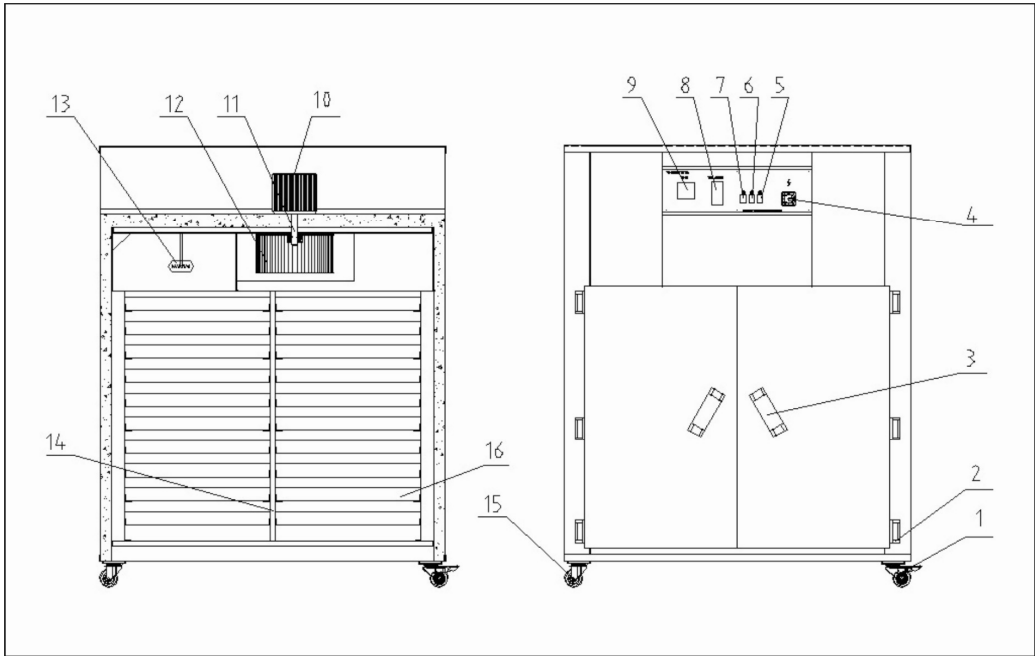
2.3.2 Parts List (CD-5/9(HT))

Table 2-1: Parts List (CD-5/9(HT))

No.	Name	Part No.	
		CD-5-(HT)	CD-9-(HT)
1	3" mobile castor	YW03000300000	YW03000300000
2	Oven door back hinge	BW09000200100	BW09000200100
3	The switch	YE10200300000	YE10200300000
4	Motor switch	YE10210400000	YE10210400000
5	Electric switch	YE10210400000	YE10210400000
6	Timer switch	YE10220600000	YE10220600000
7	Temperature controller	YE85020000000	YE85020000000
8	Timer	YE86002400000	YE86002400000
9	Motor	YM10271100000	YM10271100000
10	Motor longer shaft	BH11053800010	BH11053800010
11	Motor blade	YW09007500100	YW09007500100
12	Heating wire*	BH70050400050	BH70094500050
13	Door lock	YW00000000000	YW00000000000
14	Pallet	-	-
15	3" Fixed castor	YW03000300300	YW03000300300

* means possible broken parts. ** means easy broken part. and spare backup is suggested. Please confirm the version of manual before placing the purchase order to guarantee that the item number of the spare part is in accordance with the real object.

2.3.3 Assembly Drawing (CD-20/20L(HT))



Remarks: Please refer to material list 2.3.4 for specific explanation of the Arabic numbers in parts drawing.

Picture 2-3: Assembly Drawing (CD-20/20L(HT))

2.3.4 Parts List (CD-20/20L(HT))

Table 2-2: Parts List (CD-20/20L(HT))

No.	Name	Part No.	
		CD-20-(HT)	CD-20L-(HT)
1	3" mobile castor	YW03000300000	YW03000300000
2	Oven door back hinge	BW09000200100	BW09000200100
3	Door handle	YW09000300200	YW09000300200
4	The switch	YE10210300000	YE10210300000
5	Motor switch	YE10210400000	YE10210400000
6	Electric switch	YE10210400000	YE10210400000
7	Timer switch	YE10210600000	YE10210600000
8	Temperature controller	YE85020000000	YE85020000000
9	Timer	YE86002400000	YE86002400000
10	Motor	YM10290400000	YM10290400000
11	Motor longer shaft	BH11203600010	BH11203600010
12	Motor blade	YW09001200400	YW09001200400
13	Heating wire*	BH70200900050	BH70201800050
14	Support among	-	-
15	3" Fixed castor	YW03000300300	YW03000300300
16	Pallet	-	-

* means possible broken parts. ** means easy broken part. and spare backup is suggested. Please confirm the version of manual before placing the purchase order to guarantee that the item number of the spare part is in accordance with the real object.