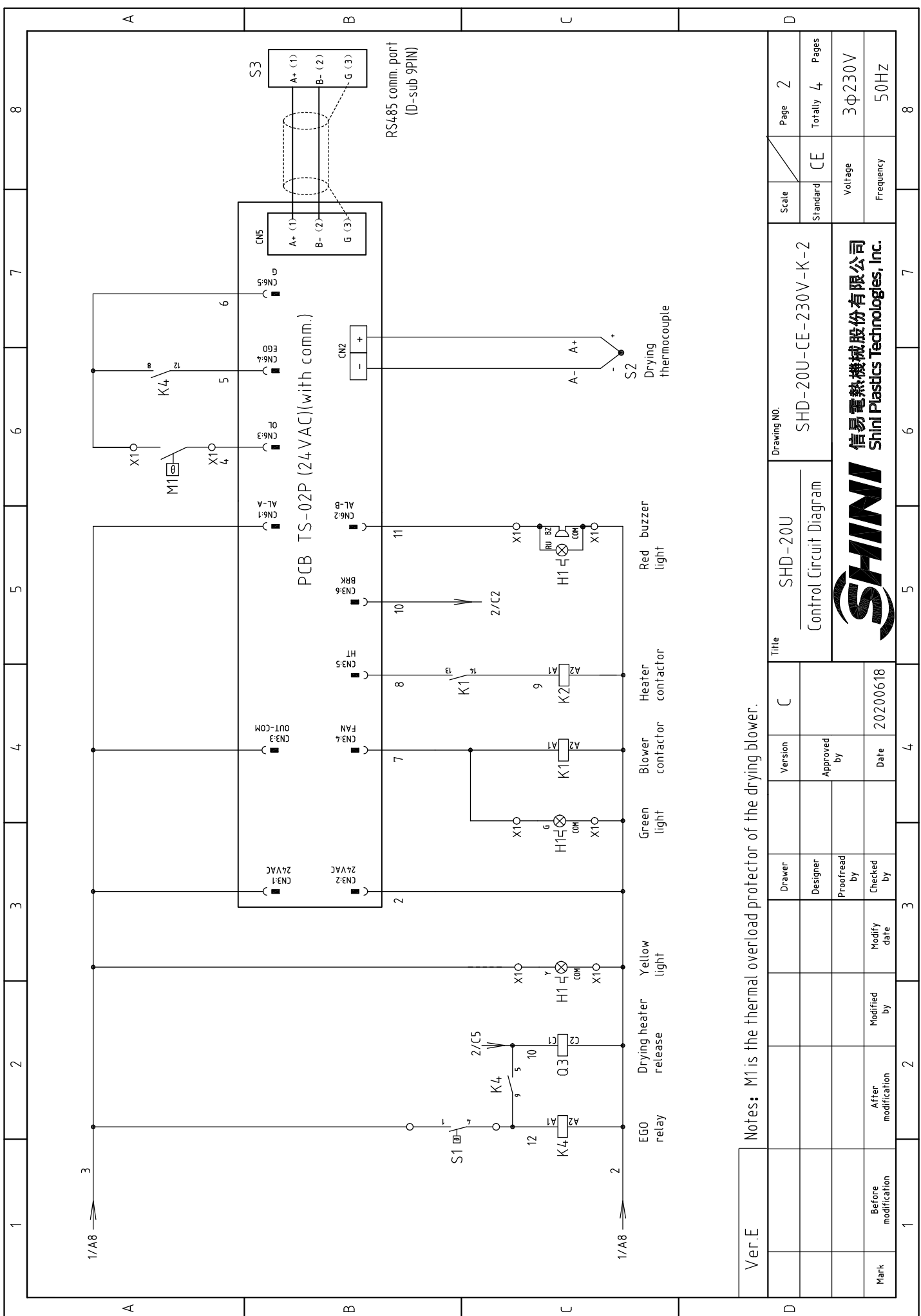


Ver.E

Mark	Before modification	After modification	Modified by	Modify date	Checked by	Proofread by	Designer	Drawer	Version	C	Title	Drawing No.		Page
				20200618								SHD-20U	SHD-20U-CE-230V-K-1	
Standard	CE											Totally	4	
	Voltage											3φ	230V	
Frequency											50	Hz		

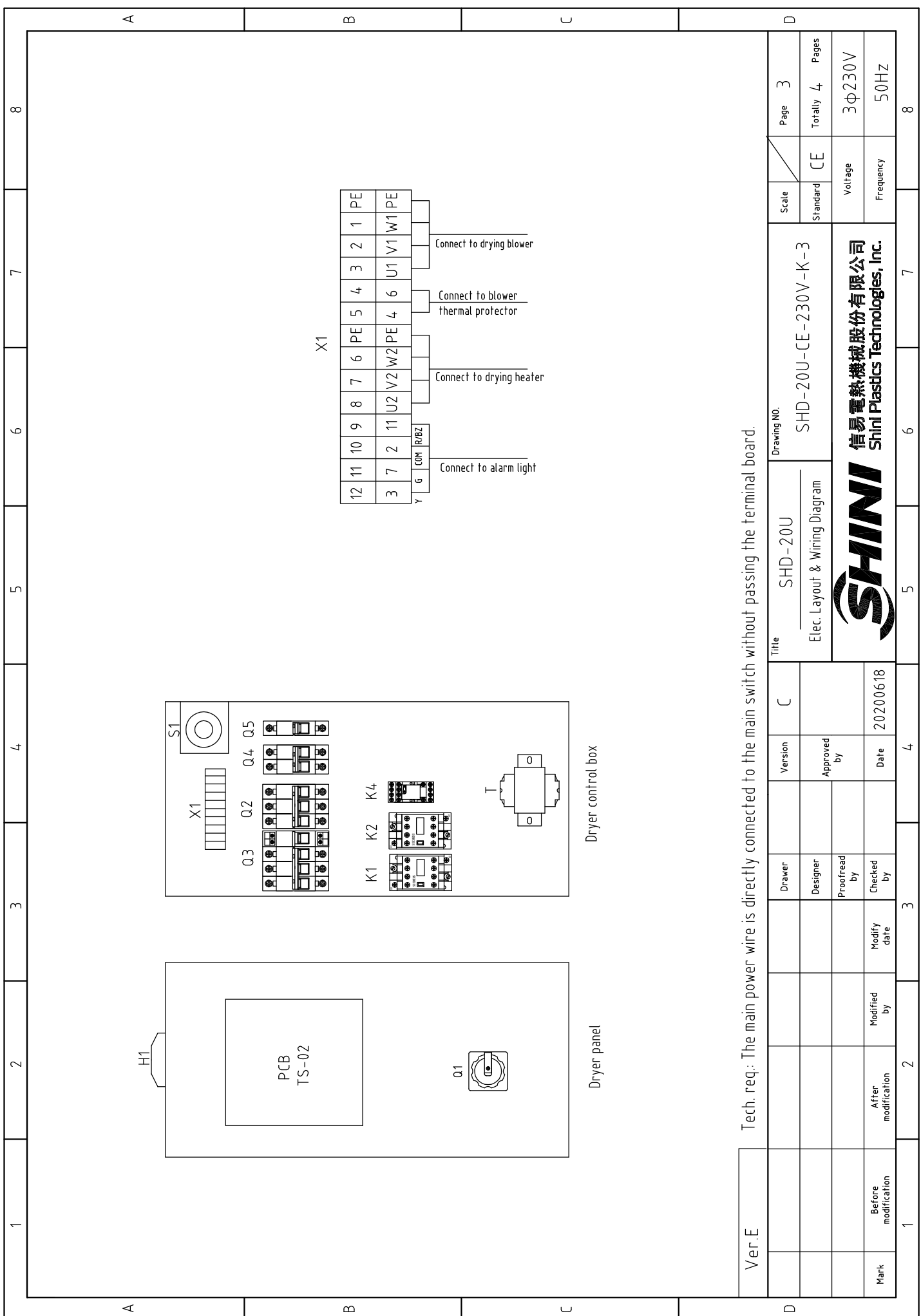




Notes: M1 is the thermal overload protector of the drying blower.

Ver.E	Title	Version	C	Drawing NO.	Page	2	
	SHD-20U			SHD-20U-CE-230V-K-2	Standard	CE	
		Designer	Approved by		Voltage	3φ230V	
		Proofread by	Date		Frequency	50Hz	
Mark	Before modification	Modified by	Modify date		Totally	4	
	After modification				Pages	3	
1	2	3	4	5	6	7	8





Ver.E	Tech. req.: The main power wire is directly connected to the main switch without passing the terminal board.			Scale	Page
	1	2	3	CE	3
Mark	Before modification	Modified by	Modified date	Standard	Totally
				Voltage	4
				Frequency	3φ230V
				Frequency	50Hz
					8

SHINI
 信易電熱機械股份有限公司
 Shini Plastics Technologies, Inc.

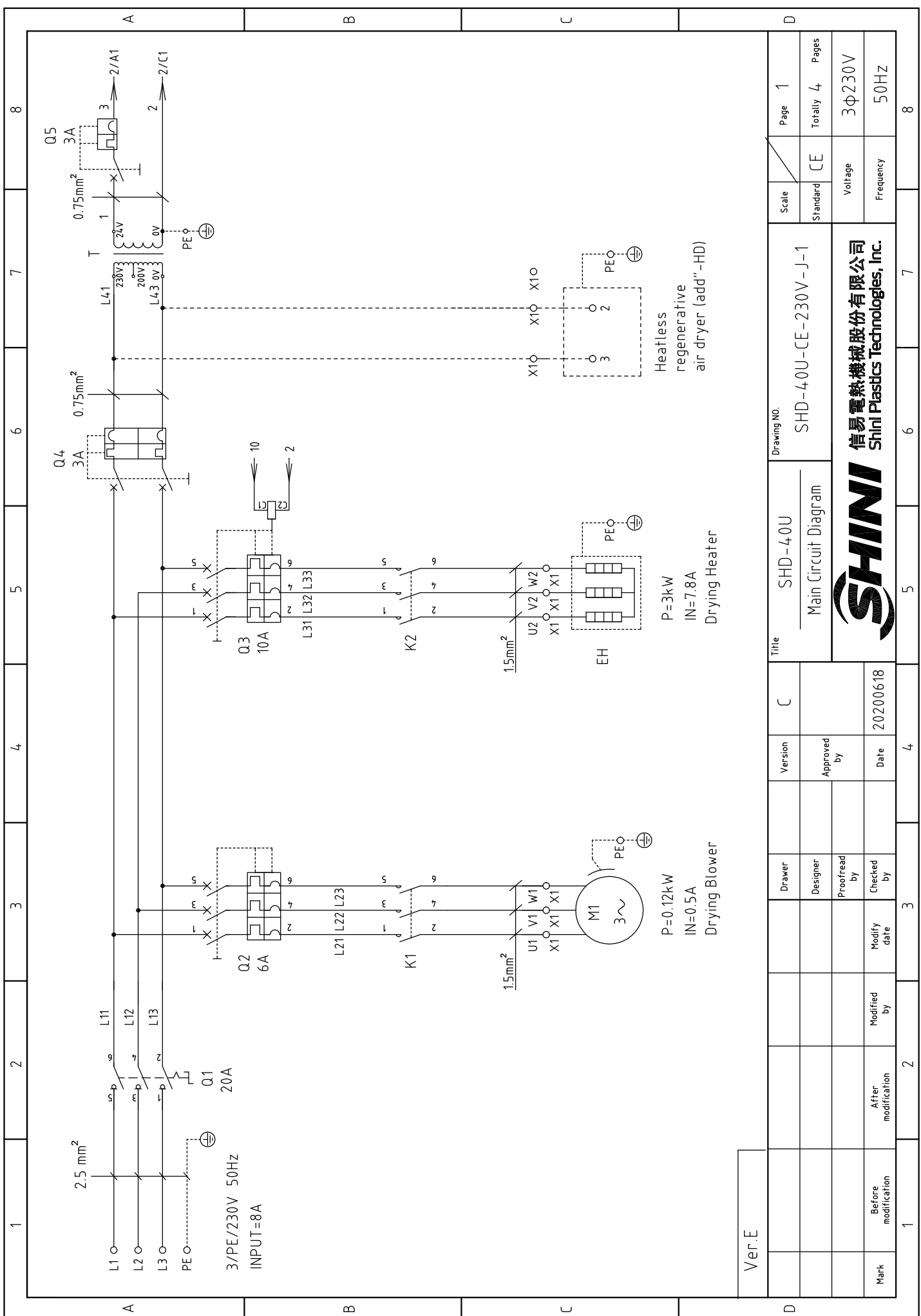
Drawing NO.	SHD-20U-CE-230V-K-3
Title	SHD-20U Elec. Layout & Wiring Diagram

Version	C
Approved by	
Date	20200618

Drawer	
Designer	
Proofread by	
Checked by	

After modification	
Modified by	
Modified date	

1		2		3		4		5		6		7		8	
NO.	Symbol	Name	Manufacturer	Type	Specification	Number	Material number	Remark							
1	Q1	Main switch	EATON	TO-2-1/EA/SVB	20A 3P 690V 50/60HZ	1	YE10021160000								
2	Q2	Circuit breaker	TECO	BM-63C/3006S	6A 3P	1	YE40300603000								
3	Q3	Circuit breaker	TECO	BM-63C/3010S	10A 3P	1	YE40301003000								
4		Excitation release	YIJIN	MX	24V AC	1	YE40024000000								
5	Q4	Circuit breaker	TECO	BM-63C/2003S	3A 2P	1	YE40200203000								
6	Q5	Circuit breaker	TECO	BM-63C/1003S	3A 1P	1	YE40100203000								
7	K1	AC contactor	SIEMENS	3RT6015-1AB01	7A 3P 1NO 24V AC	1	YE00601502500								
8	K2	AC contactor	SIEMENS	3RT6016-1AB01	9A 3P 24V AC	1	YE00601602500								
9	K4	Middle relay	HONEYWELL	GR-2C-AC24V base PGR-2C-E	24V 50/60HZ	1	YE03022400300								
10	T	Mutual transformer	JIUXIN	IN=230V/200V OUT=24V	80VA	1	YE70023005200								
11	PCB	Dryer controller/PCB	PUMP	TS-02P (24VAC/DC)(assembly)	24V 50/60HZ	1	YE80022405200								
12	S1	Thermal overheat protector	EGO	----	115-320 °C	1	BH90115000150								
13	S2	Thermocouple	SHINI	K TYPE	----	1	----	(1)							
14	S3	Connect to interface port RS-485(sub-9pin connector)	YUYUN	----	----	1	YE90048501200								
15		Shell(RS485)(SAL-700G-A-19)ver.0	BINCHENG	----	----	1	YR40048500000								
16	H1	三色警報灯/Alarm lamp	SHINI	紅黃綠色蜂鳴器	24V AC/DC	1	BL90000401520	Cancel							
17	H1	3-color alarm lamp	SHINI	Red, yel, gre.+ buzzer	24V AC/DC	1	BL90002401520	New							
18	X1	Terminal board	HOEYWELL	SK4	4mm ²	8	YE60000403200								
19		Terminal board	HOEYWELL	GK5PE	4mm ² PE	2	YE60000403500								
20		Terminal board	HOEYWELL	SK2.5	2.5mm ²	4	YE60002503200								
21		Terminal fittings	HOEYWELL	----	----	5	YE60000003900								
22	M1	Blower	SHINI	0.12kW	230V50/60HZ	1	----	(1)							
23	EH1	Heater	SHINI	3.0kW	230V50/60HZ	1	----	(1)							
Ver.E															
Notes: (1)Materials not in the control box; (2)Optional heatless regen. air dryer (-HD)															
		Drawer	Version	C	Title		SHD-20U		Drawing NO.		SHD-20U-CE-230V-K-4		Scale	Page	4
		Designer	Approved by	Elec. Parts List 1		SHD-20U-CE-230V-K-4		Standard	CE	Voltage		Frequency		3φ230V	
		Proofread by	Date	20200618		SHINI		信易電熱機械股份有限公司		Shini Plastics Technologies, Inc.		Frequency		50HZ	
Mark	Before modification	Modified by	Modify date												
1	2	3	4	5	6	7	8								

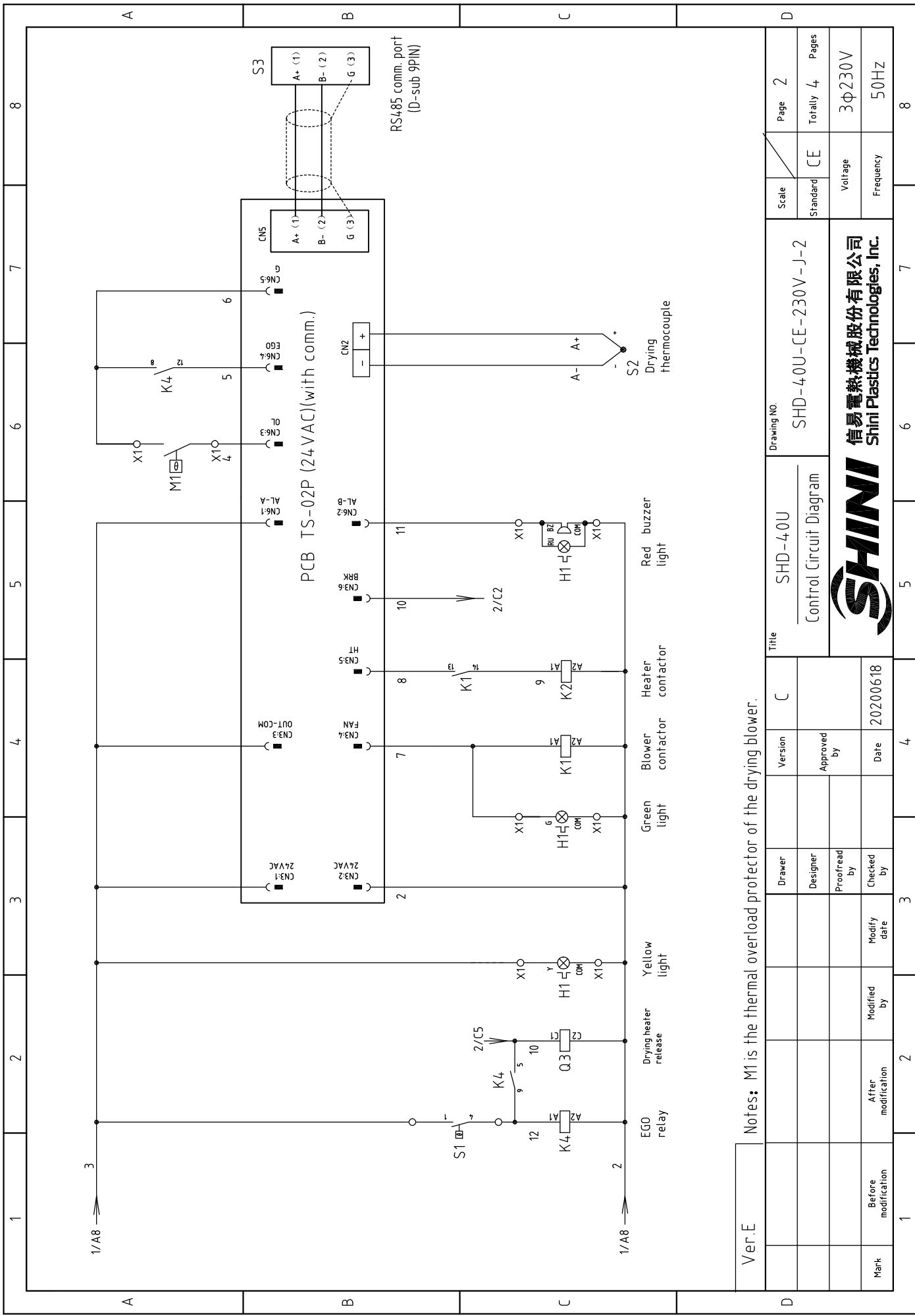


Heatless
regenerative
air dryer (add"-HD)

P=3kW
IN=7.8A
Drying Heater

P=0.12kW
IN=0.5A
Drying Blower

Ver.E	Title		Drawing NO.		Page	
	SHD-40U		SHD-40U-CE-230V-J-1		1	
Main Circuit Diagram			Standard		Scale	
			CE		Totally 4	
			Voltage		Pages	
			3φ230V		3φ230V	
			Frequency		50HZ	
			Date		8	
			20200618		7	
			Approved by		6	
			Checked by		5	
			Modified by		4	
			After modification		3	
			Before modification		2	
			Modified date		1	
			Proofread by			
			Designer			
			Drawer			
			Version		C	
			Date		20200618	
			SHINI		SHINI	
			Shini Plastics Technologies, Inc.		SHINI	



Scale	Page 2
Standard	Totally 4 Pages
Voltage	3φ 230V
Frequency	50HZ

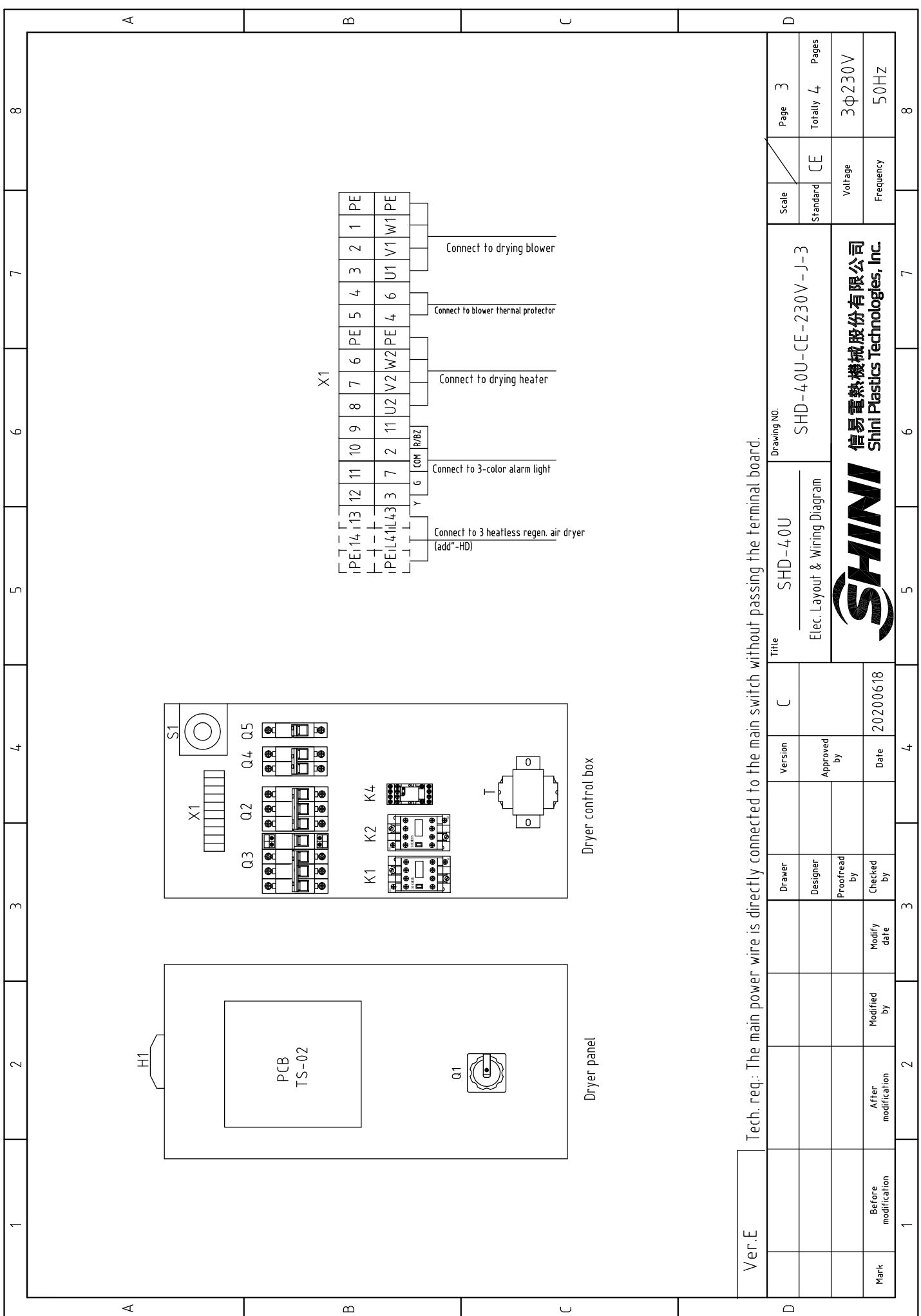
Drawing NO.	SHD-40U-CE-230V-J-2
Title	Control Circuit Diagram

Version	C
Approved by	
Date	20200618

Drawer	
Designer	
Proofread by	
Checked by	
Modified by	
Modify date	

Mark	Before modification	1
	After modification	2
	Yellow light	3
	Green light	4
	Blower contactor	5
	Heater contactor	6
	Red buzzer light	7
	Drying thermocouple	8




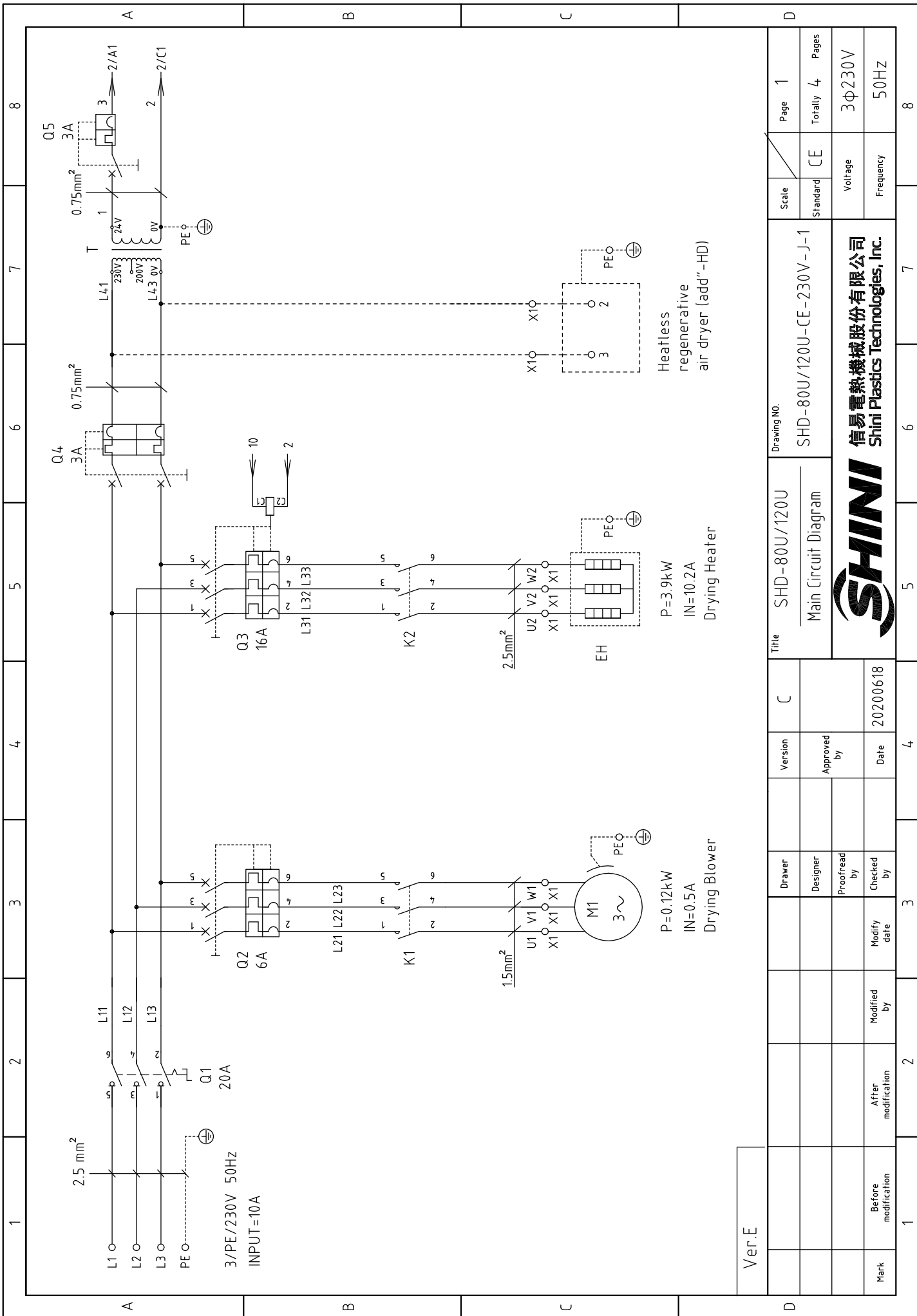


Ver.E Tech. req.: The main power wire is directly connected to the main switch without passing the terminal board.


Ver.E	Title	SHD-40U	Drawing NO.	SHD-40U-CE-230V-J-3	Scale	Page
					Standard	Totally
Mark	After modification	Modified by	Proofread by	Approved by	CE	3
					Frequency	Pages
1	2	3	4	5	6	7
				Voltage		3Φ230V
				Frequency		50HZ
				Date		20200618

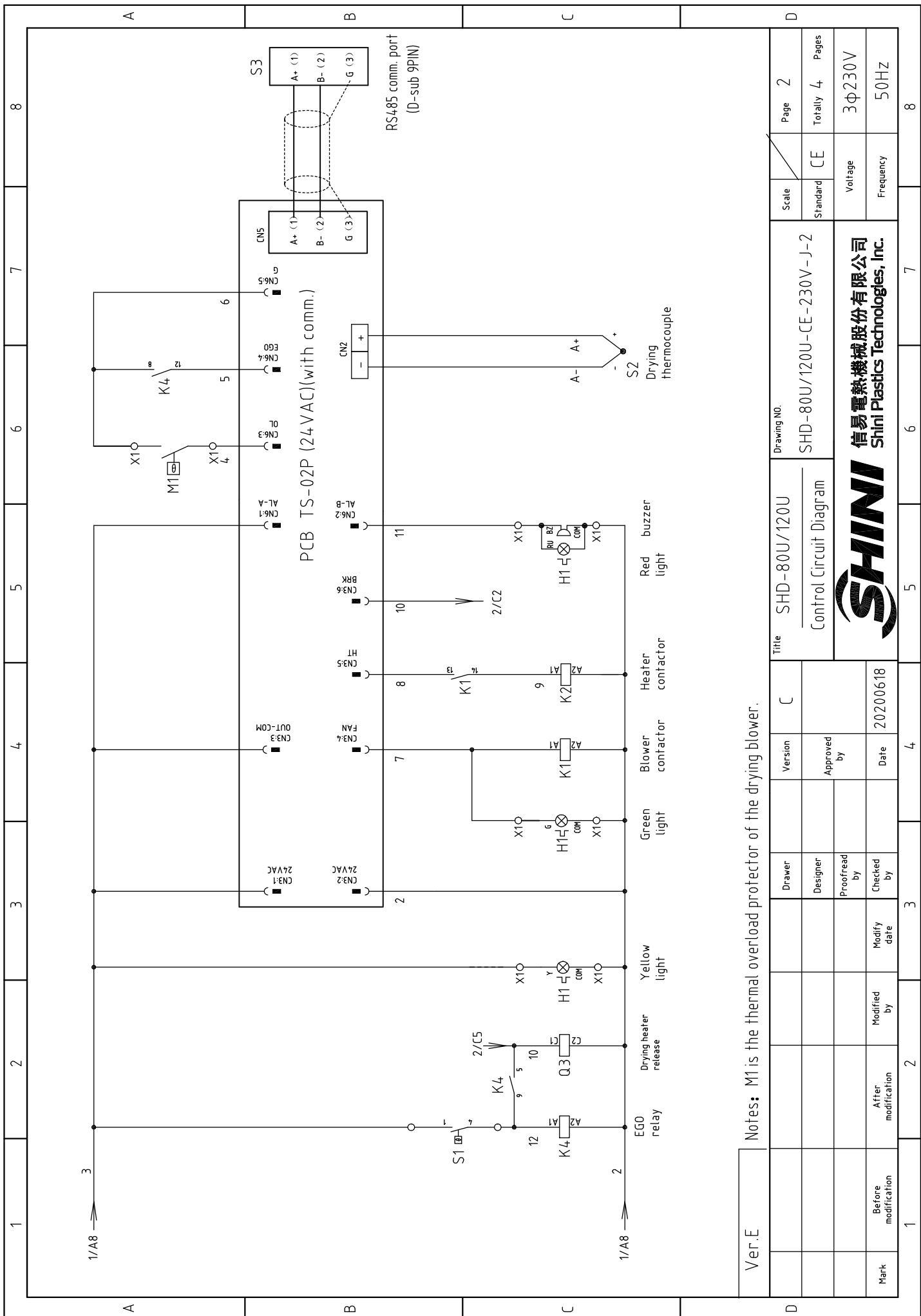


1		2		3		4		5		6		7		8	
NO.	Symbol	Name	Manufacturer	Type	Specification	Number	Material number	Remark							
A	1	Q1	Main switch	EATON	TO-2-1/EA/SVB	1	YE10021160000								
	2	Q2	Circuit breaker	TECO	BM-63C/3006S	1	YE40300603000								
	3	Q3	Circuit breaker	TECO	BM-63C/3010S	1	YE40301003000								
	4		Excitation release	YIJIN	MX	1	YE40024000000								
	5	Q4	Circuit breaker	TECO	BM-63C/2003S	1	YE40200203000								
	6	Q5	Circuit breaker	TECO	BM-63C/1003S	1	YE40100203000								
	7	K1	AC contactor	SIEMENS	3RT6015-1AB01	1	YE00601502500								
	8	K2	AC contactor	SIEMENS	3RT6017-1AB01	1	YE00601702500								
	9	K4	Middle relay	HONEYWELL	GR-2C-AC24V base PGR-2C-E	1	YE03022400300								
	10	T	Mutual transformer	JIUXIN	IN=230V/200V OUT=24V	1	YE70023005200								
B	11	PCB	Dryer controller/PCB	PUMP	TS-02P (24VAC/DC)(assembly)	1	YE80022405200								
	12	S1	Thermal overheat protector	EGO	-----	1	BH90115000150								
	13	S2	Thermocouple	SHINI	K TYPE	1	-----	(1)							
	14	S3	Connect to interface port RS-485(Dsub-9pin connector)	YUYUN	-----	1	YE90048501200								
	15		Shell RS485(SAL-700G-A-19)ver.0	BINCHEG	-----	1	YR40048500000								
	16	H1	三色警報灯/Alarm lamp	SHINI	紅黃綠色+蜂鳴器	1	BL90060011520	Cancel							
	17	H1	3-color alarm lamp	SHINI	Red, yel. gre.+ buzzer	1	BL90002401520	New							
C	18	X1	Terminal board	HOEYWELL	SK4	8	YE60000403200								
	19		Terminal board	HOEYWELL	GK5PE	2	YE60000403500								
	20		Terminal board	HOEYWELL	SK2.5	4	YE60002503200	(2)							
	21		Terminal board	HOEYWELL	SK2.5	2	YE60002503200	(2)							
	22		Terminal board	HOEYWELL	GK2.5PE	1	YE60002503400	(2)							
	23		Terminal fittings	HOEYWELL	-----	5	YE60000003900								
	24	M1	Blower	SHINI	0.12kW	1	-----	(1)							
	25	EH1	Heater	SHINI	3.0kW	1	-----	(1)							
Ver.E Notes: (1)Materials not in the control box; (2)Optional heatless regen. air dryer (-HD)															
				Title		SHD-4.0U		SHD-4.0U-CE-230V-J-4		Drawing NO.		Scale		Page 4	
				Version		Elec. Parts List 1				Standard		CE		Totally 4 Pages	
				Approved by						Voltage		3φ230V			
				Date		20200618				Frequency		50Hz			
 SHINI 信易電熱機械股份有限公司 Shini Plastics Technologies, Inc.															
1 2 3 4 5 6 7 8															



Ver.E

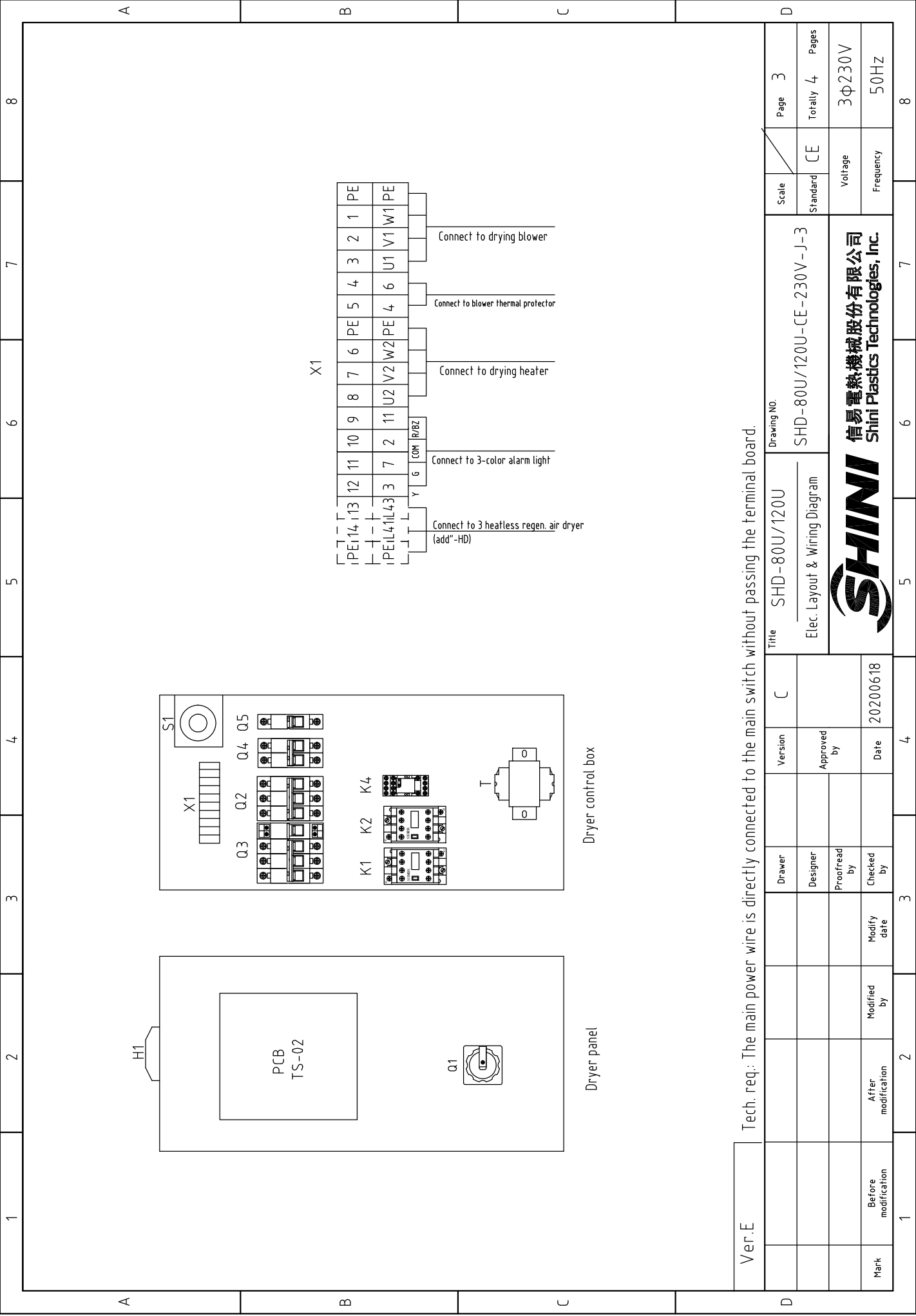
Ver.E	Title		SHD-80U/120U		Drawing NO.		SHD-80U/120U-CE-230V-J-1		Page 1	
	Version		C		Standard		CE		Totally 4 Pages	
Mark	Before modification	After modification	Modified by	Modify date	Checked by	Proofread by	Designer	Drawer	Voltage	3φ230V
				20200618					Frequency	50Hz
 信易電熱機械股份有限公司 Shini Plastics Technologies, Inc.										
1	2	3	4	5	6	7	8			



Ver.E Notes: M1 is the thermal overload protector of the drying blower.

Title	SHD-80U/120U		Drawing NO.		SHD-80U/120U-CE-230V-J-2		Scale		Page 2		
	Control Circuit Diagram						Standard		CE		
Mark	Before modification		After modification		Modified by		Modify date		Voltage		
	20200618								3φ230V		
Version		C		Approved by		Date		Frequency		50HZ	
Designer				Proofread by				Totally		4 Pages	
Drawer				Checked by				Standard		CE	



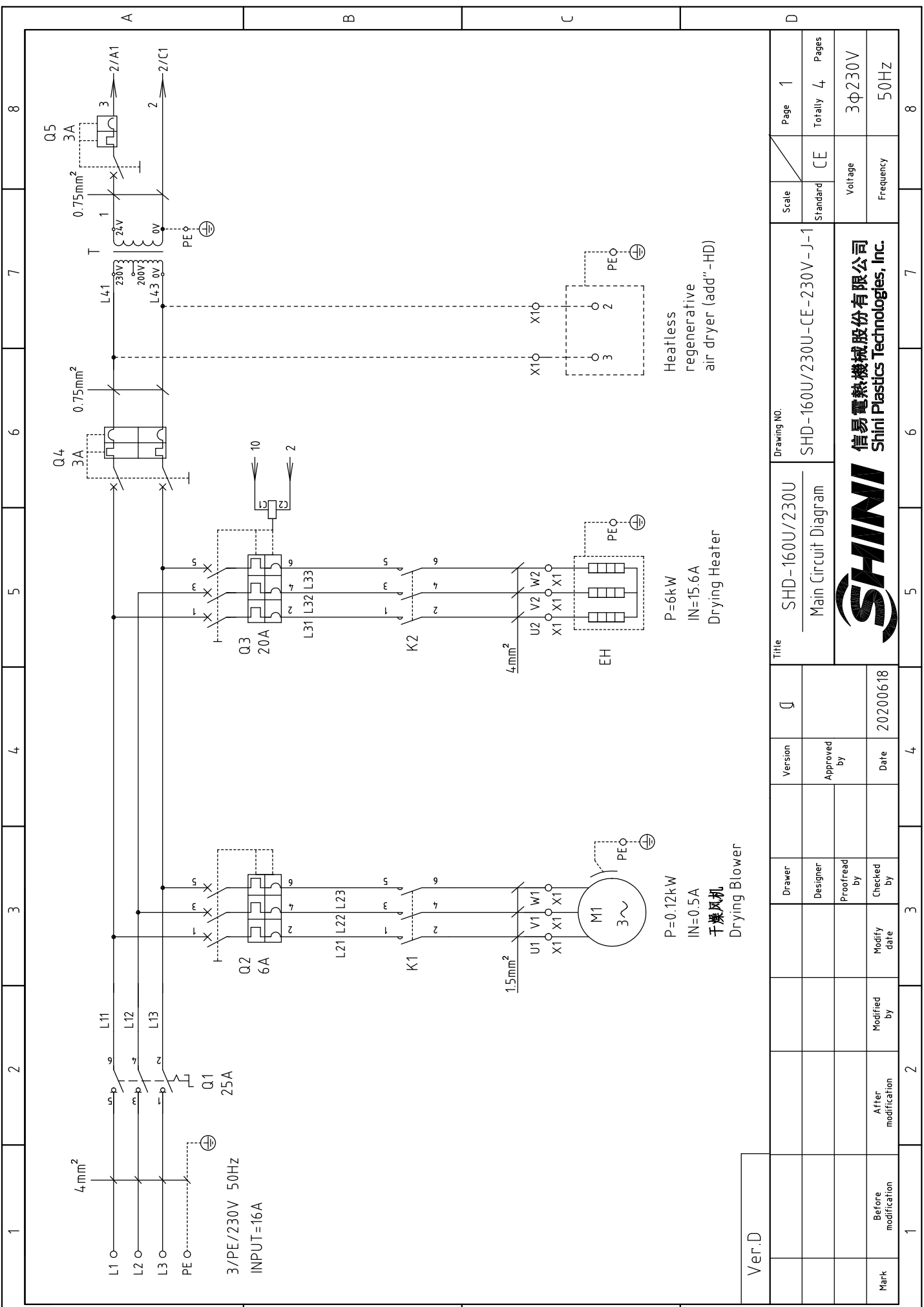


Tech. req.: The main power wire is directly connected to the main switch without passing the terminal board.

Ver.E	Title SHD-80U/120U Elec. Layout & Wiring Diagram			Scale Standard CE	Page 3
Mark	Before modification	After modification	Modified by	Checked by	Designated by
			Modify date	Approved by	Version C
			20200618	Date	Version C
Drawing NO. SHD-80U/120U-CE-230V-J-3			Standard CE		
Voltage 3φ230V			Frequency 50Hz		
信易電熱機械股份有限公司 Shini Plastics Technologies, Inc.			SHINI		

1		2		3		4		5		6		7		8	
NO.	Symbol	Name	Manufacturer	Type	Specification	Number	Material number	Remark							
1	Q1	Main switch	EATON	T0-2-1/EA/SVB	20A 3P 690V 50/60Hz	1	YE10021160000								
2	Q2	Circuit breaker	TECO	BM-63C/3006S	6A	1	YE40300603000								
3	Q3	Circuit breaker	TECO	BM-63C/3016S	16A	1	YE40301603000								
4		Excitation release	YIJIN	MX	24V AC	1	YE40024000000								
5	Q4	Circuit breaker	TECO	BM-63C/2003S	3A 2P	1	YE40200203000								
6	Q5	Circuit breaker	TECO	BM-63C/1003S	3A 1P	1	YE40100203000								
7	K1	AC Contactor	SIEMENS	3RT6015-1AB01	7A 3P 1NO 24V AC	1	YE00601502500								
8	K2	AC Contactor	SIEMENS	3RT6018-1AB01	16A 3P 24V AC	1	YE00601802500								
9	K4	Middle relay	HONEYWELL	GR-2C-AC24V base PRG-2C-E	24V 50/60Hz	1	YE03022400300								
10	T	Mutual transformer	JIUXIN	IN=230V/200 OUT=24V	80VA	1	YE70023005200								
11	PCB	Dryer controller/PCB	PUMP	TS-02P (24VAC/DC)(assembly)	24V 50/60Hz	1	YE80022405200								
12	S1	Thermal overheat protector	EGO	----	115-320 °C	1	BH90115000150								
13	S2	Thermocouple	SHINI	K TYPE	----	1	----	(1)							
14	S3	Connect to interface port RS-485(Dsub-9pin connector)	YUYUN	----	----	1	YE90048501200								
15		Shell RS485(SAL-700G-A-19)ver.0	BINCHEG	----	----	1	YR40048500000								
16	H1	三色警報灯/Alarm lamp	SHINI	紅黃綠色+蜂鳴器	24V AC/DC	1	BL900000H520	Cancel							
17	H1	3-color alarm lamp	SHINI	Red, yel, gre.+ buzzer	24V AC/DC	1	BL90002401520	New							
18	X1	Terminal board	HOEYWELL	SK4	4mm ²	8	YE600000403200								
19		Terminal board	HOEYWELL	GK5PE	4mm ² PE	2	YE600000403500								
20		Terminal board	HOEYWELL	SK2.5	2.5mm ²	4	YE60002503200	(2)							
21		Terminal board	HOEYWELL	SK2.5	2.5mm ²	2	YE60002503200	(2)							
22		Terminal board	HOEYWELL	GK2.5PE	2.5mm ² PE	1	YE60002503400	(2)							
23		Terminal fittings	HOEYWELL	----	----	5	YE60000003900								
24	M1	Blower	SHINI	0.12kW	230V50/60HZ	1	----	(1)							
25	EH1	Heater	SHINI	3.9kW	230V50/60HZ	1	----	(1)							
Ver.E Notes: (1)Materials not in the control box; (2)Optional heatless regen. air dryer (-HD)															
		Drawer	Version	Title	Drawing NO.		Scale	Page							
		Designer	Approved by	SHD-80U/120U	SHD-80U/120U-CE-230V-J-4		CE	4							
		Proofread by	Date	Elec. Parts List 1		Voltage		Totally							
		Checked by	20200618			Frequency		4							
Mark	Before modification	Modified by	Modify date			3φ230V		50Hz							
1	2	3	4	5	6	7	8								





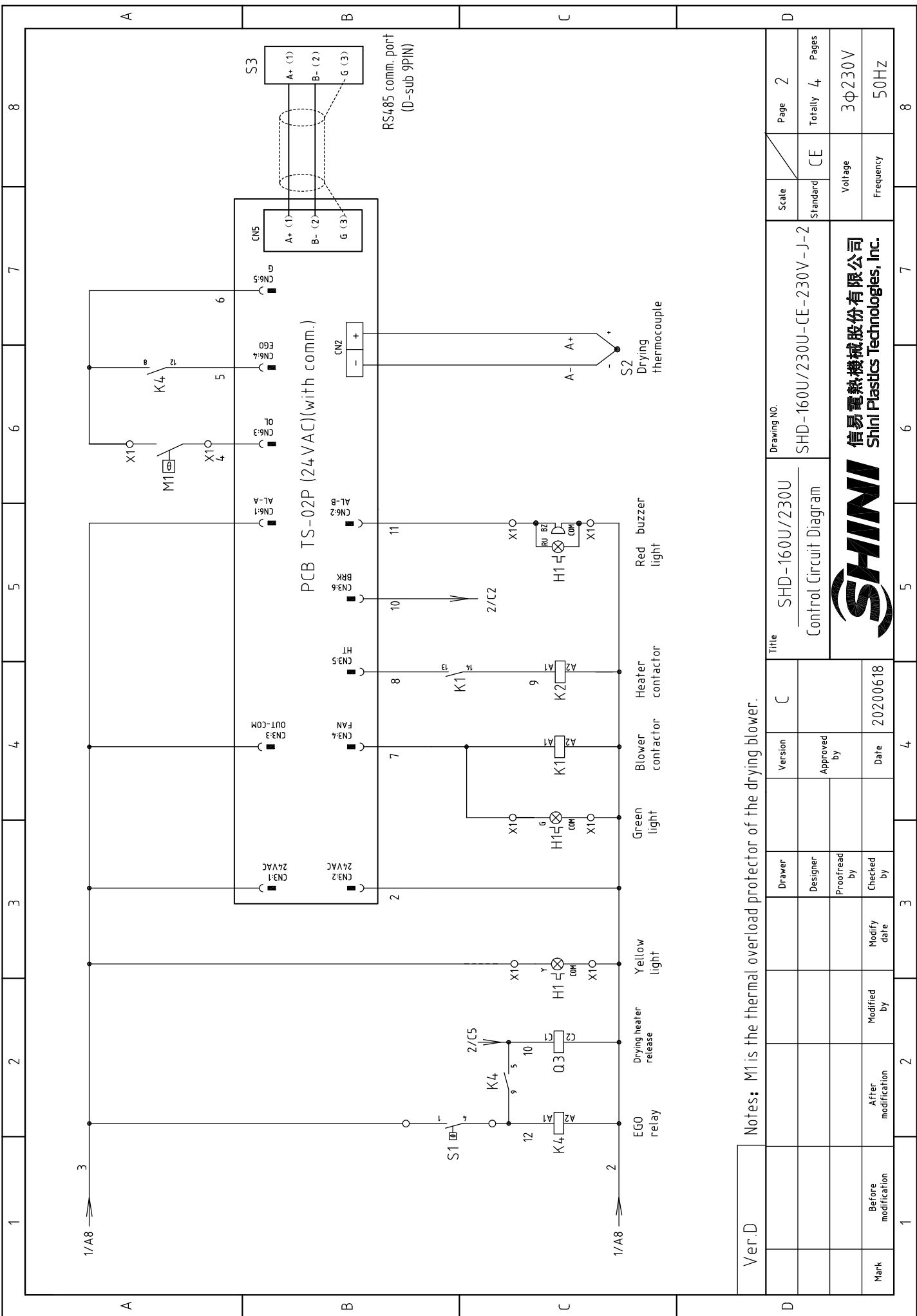
P=0.12kW
IN=0.5A
干燥风机
Drying Blower

P=6kW
IN=15.6A
Drying Heater

Heatless
regenerative
air dryer (add"-HD)

Ver.D	Drawer	Version	Q	Title	Drawing NO.		Scale	Page
	Designer	Approved by		SHD-160U/230U	SHD-160U/230U-CE-230V-J-1		Standard	1
Mark	Proofread by	Date		Main Circuit Diagram			Voltage	Totally
	Checked by	20200618					Frequency	4
Modified by	Modify date							Pages
After modification								3φ230V
1	2	3	4	5	6	7	8	50Hz

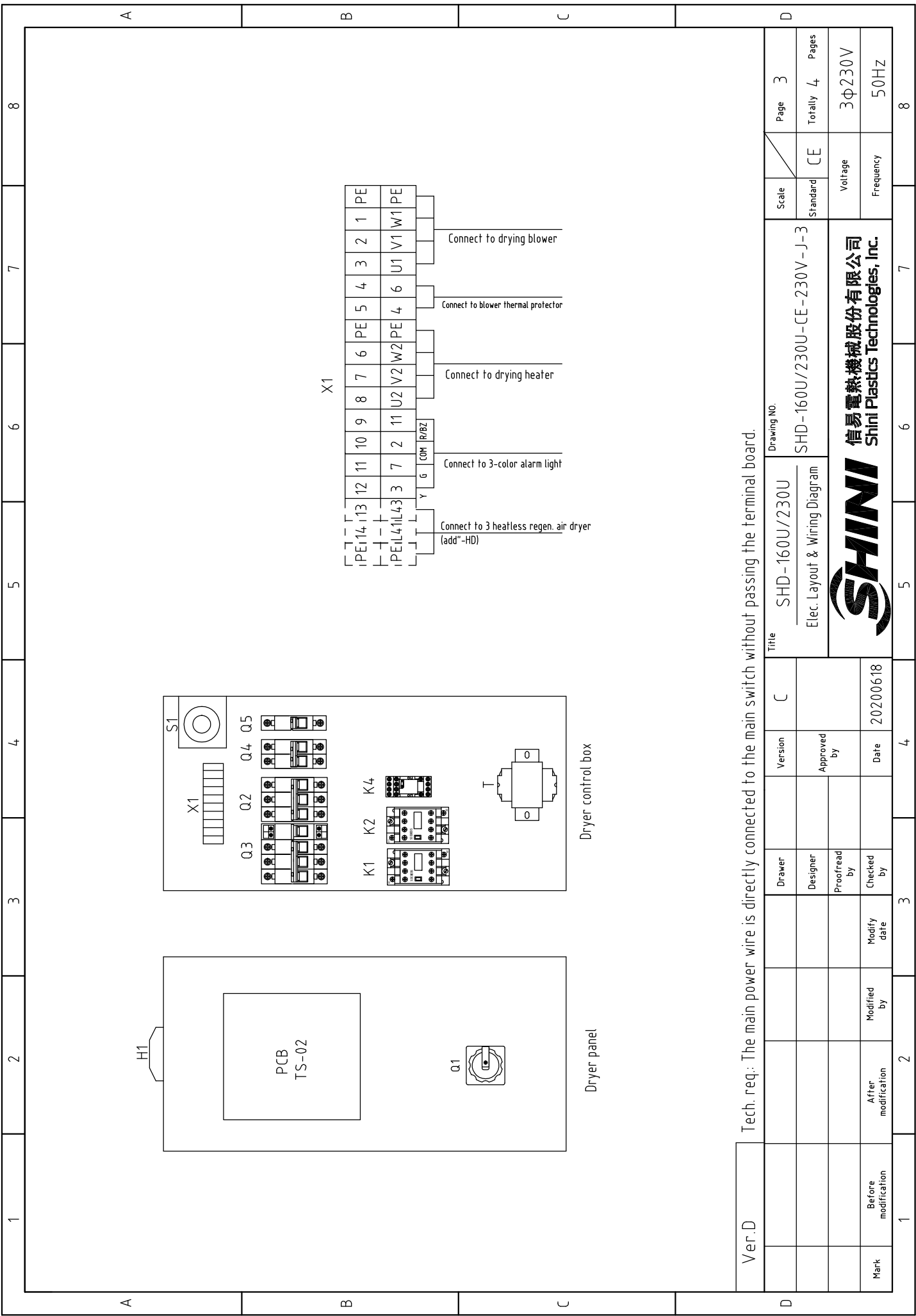




Notes: M1 is the thermal overload protector of the drying blower.

Ver.D	Title			Drawing NO.		Scale	Page
	SHD-160U/230U			SHD-160U/230U-CE-230V-J-2		CE	2
	Control Circuit Diagram					Standard	Totally 4 Pages
						Voltage	3φ230V
Mark	Before modification	Modified by	Modify date			Frequency	50Hz
			20200618				
1	2	3	4	5	6	7	8



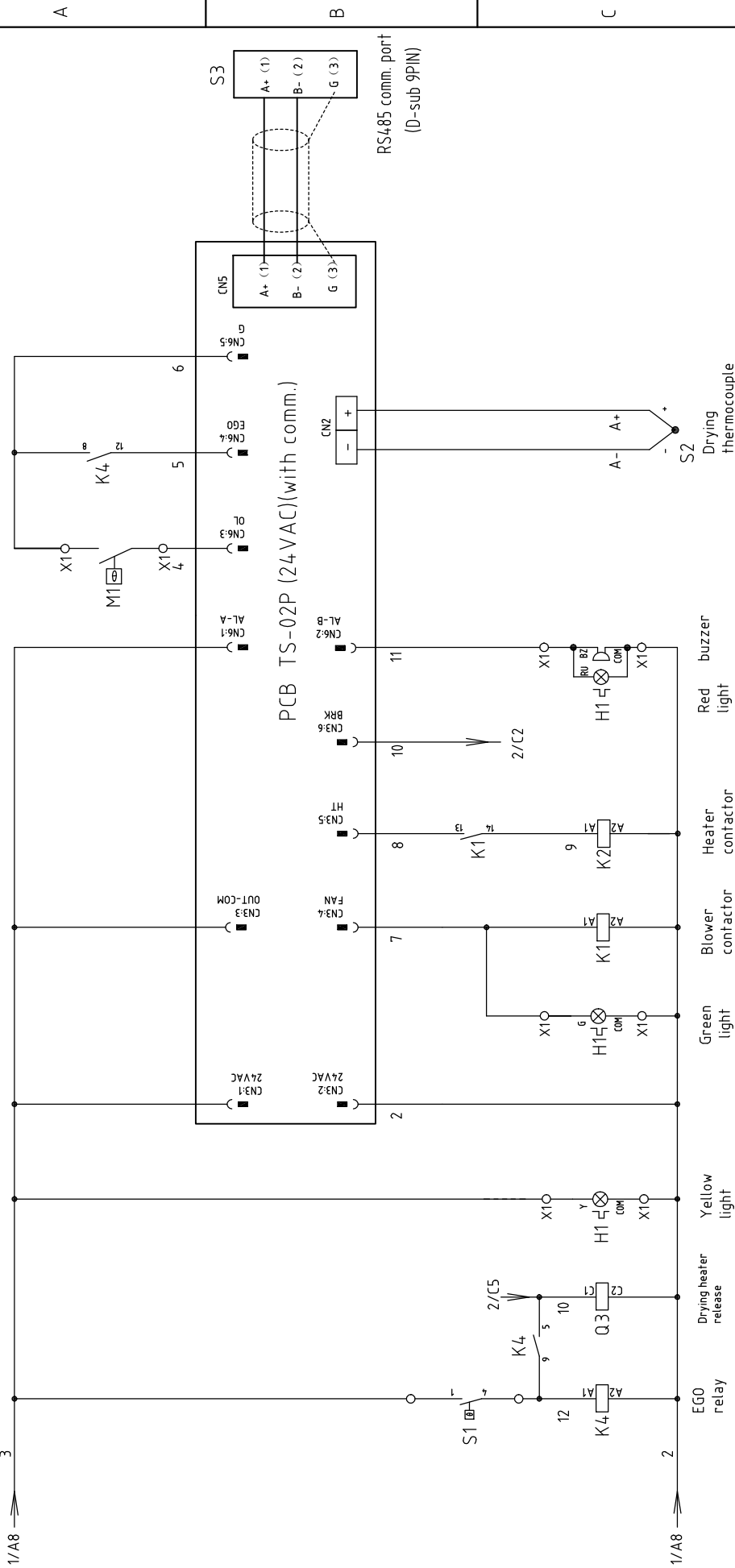


Tech. req: The main power wire is directly connected to the main switch without passing the terminal board.

Ver.D	Drawer	Version	C	Title		SHD-160U/230U		Scale	Page 3
	Designer	Approved by		Elec. Layout & Wiring Diagram		SHD-160U/230U-CE-230V-J-3		Standard	Totally 4 Pages
Mark	Proofread by	Date	20200618	Voltage		3 ϕ 230V		Frequency	50Hz
Before modification	Modified by	Modify date		SHINI		信易電熱機械股份有限公司 Shini Plastics Technologies, Inc.			
After modification	Modified by	Modify date		5	6	7	8		

1		2		3		4		5		6		7		8	
NO.	Symbol	Name	Manufacturer	Type	Specification	Number	Material number	Remark							
1	Q1	Main switch	EATON	P1-25/EA/SVB	25A 3P 690V 50/60Hz	1	YE10125250000								
2	Q2	Circuit breaker	TECO	BM-63C/3006S	6A 3P	1	YE40300603000								
3	Q3	Circuit breaker	TECO	BM-63C/3020S	20A 3P	1	YE40302003000								
4		Excitation release	YIJIN	MX	24V AC	1	YE40024000000								
5	Q4	Circuit breaker	TECO	BM-63C/2003S	3A 2P	1	YE40200203000								
6	Q5	Circuit breaker	TECO	BM-63C/1003S	3A 1P	1	YE40100203000								
7	K1	AC contactor	SIEMENS	3RT6015-1AB01	7A 3P 1NO 24V AC	1	YE00601502500								
8	K2	AC contactor	SIEMENS	3RT6025-1AC20	17A 3P 24V AC	1	YE00602502600								
9	K4	Middle relay	HONEYWELL	GR-2C-AC24V base PRG-2C-E	24V 50/60Hz	1	YE03022400300								
10	T	Mutual transformer	JIUXIN	IN=230V/200V OUT=24V	80VA	1	YE70023005200								
11	PCB	Dryer controller/PCB	PUMP	TS-02P (24VAC/DC)(assembly)	24V 50/60Hz	1	YE80022405200								
12	S1	Thermal overheat protector	EGO	----	115-320 °C	1	BH90115000150								
13	S2	Thermocouple	SHINI	K TYPE	----	1	----	(1)							
14	S3	Connect to interface port RS-485(Dsub-9pin connector)	YUYUN	----	----	1	YE90048501200								
15		Shell RS485(SAL-700G-A-19)ver.0	BINCHEG	----	----	1	YR40048500000								
16	H1	三色警報灯/Alarm lamp	SHINI	红黄绿色+蜂鸣器	24V AC/DC	1	BL90000041520	Cancel							
17	H1	3-color alarm lamp	SHINI	Red, yel, gre.+ buzzer	24V AC/DC	1	BL90002401520	New							
18	X1	Terminal board	HOEYWELL	SK4	4mm ²	8	YE60000403200								
19		Terminal board	HOEYWELL	GK5PE	4mm ² PE	2	YE60000403500								
20		Terminal board	HOEYWELL	SK2.5	2.5mm ²	4	YE60002503200								
21		Terminal board	HOEYWELL	SK2.5	2.5mm ²	2	YE60002503200	(2)							
21		Terminal board	HOEYWELL	GK2.5PE	2.5mm ² PE	1	YE60002503400	(2)							
22		Terminal fittings	HOEYWELL	----	----	5	YE60000003900								
24	M1	Blower	SHINI	0.12kW	230V50/60HZ	1	----	(1)							
25	EH1	Heater	SHINI	6kW	230V50/60HZ	1	----	(1)							
Ver.D															
Notes: (1)Materials not in the control box. (2)Optional heatless regen. air dryer (-HD)															
				Title		SHD-160U/230U		Drawing NO.		SHD-160U/230U-CE-230V-J-4		Scale		Page 4	
				Version		C		Approved by		CE		Standard		Totally 4 Pages	
				Designer				Date		Elec. Parts List 1		Voltage		3φ230V	
				Proofread by				20200618				Frequency		50Hz	
Mark		Before modification		Modified by		Modified date									
1		2		3		4		5		6		7		8	

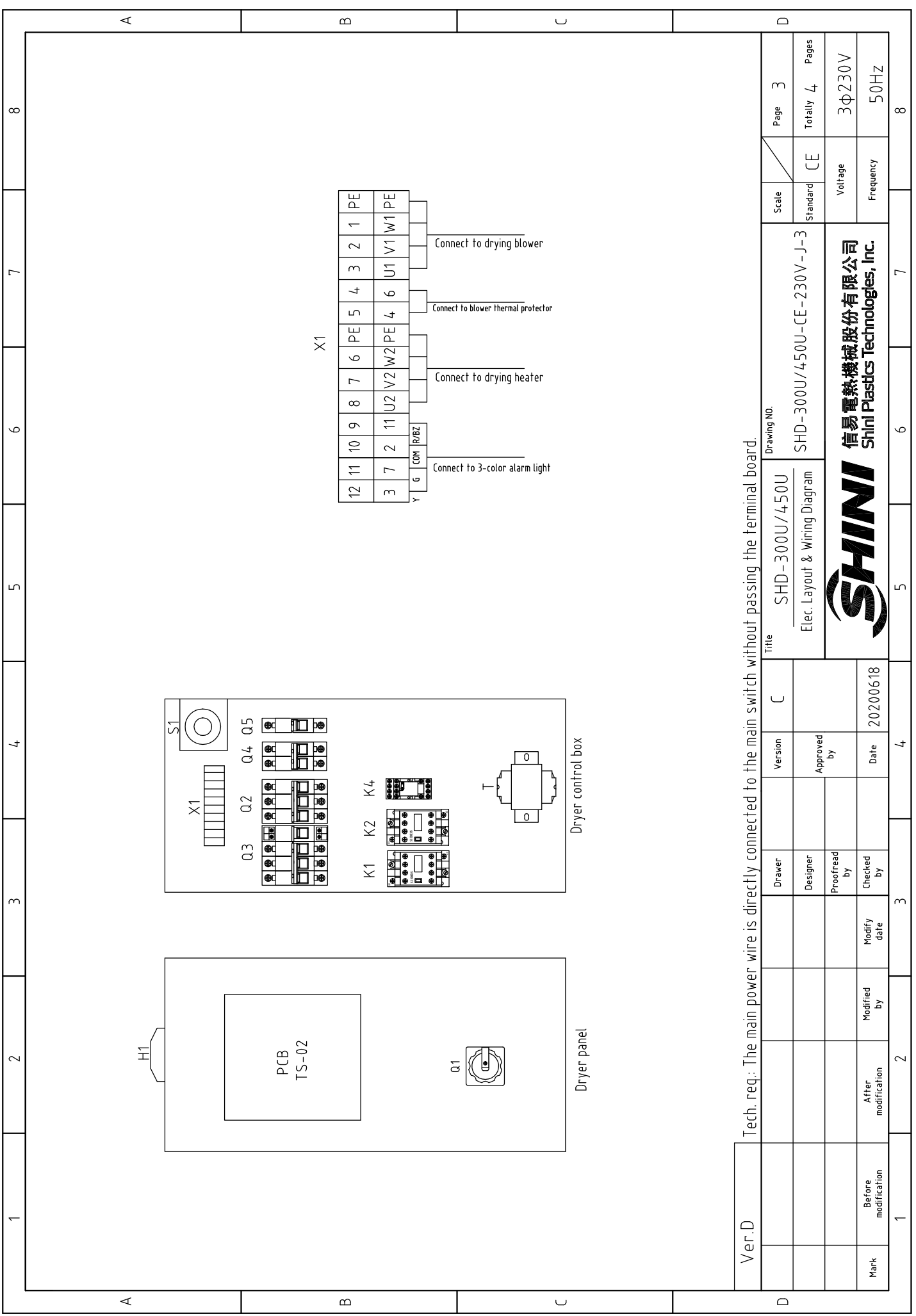




Ver.D Notes: M1 is the thermal overload protector of the drying blower.

Title				Drawing NO.		Page	
SHD-300U/450U Control Circuit Diagram				SHD-300U/450U-CE-230V-J-2		2	
Version				Standard		Totally	
C				CE		4	
Designer				Voltage		3Φ230V	
Proofread by				Frequency		50Hz	
Approved by							
Date				20200618			
Checked by							
Modify date							
Modified by							
After modification							
Before modification							
Mark							





X1

12	11	10	9	8	7	6	PE	5	4	3	2	1	PE
3	7	2	11	U2	V2	W2	PE	4	6	U1	V1	W1	PE
Y	G	COM	R/BZ										

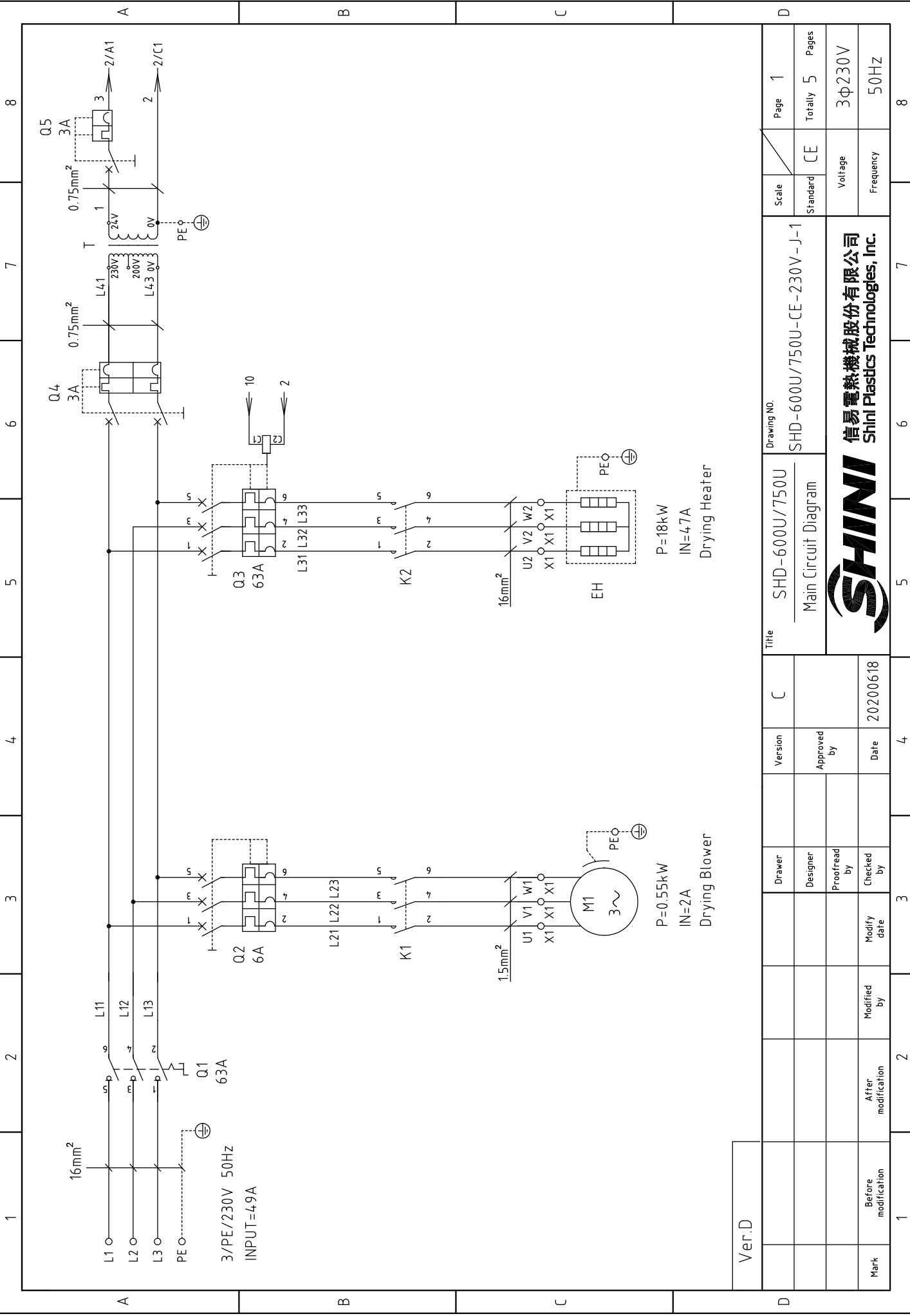
Connect to 3-color alarm light
 Connect to drying heater
 Connect to blower thermal protector
 Connect to drying blower

Tech. req.: The main power wire is directly connected to the main switch without passing the terminal board.

Ver.D	Title			Drawing NO.			Scale	Page
	SHD-300U/450U			SHD-300U/450U-CE-230V-J-3			Standard	3
	Elec. Layout & Wiring Diagram						CE	Totally 4
							Voltage	3φ230V
Mark	Before modification	After modification	Modified by	Checked by	Proofread by	Designer	Frequency	50HZ
								8
	1	2	3	4	5	6	7	

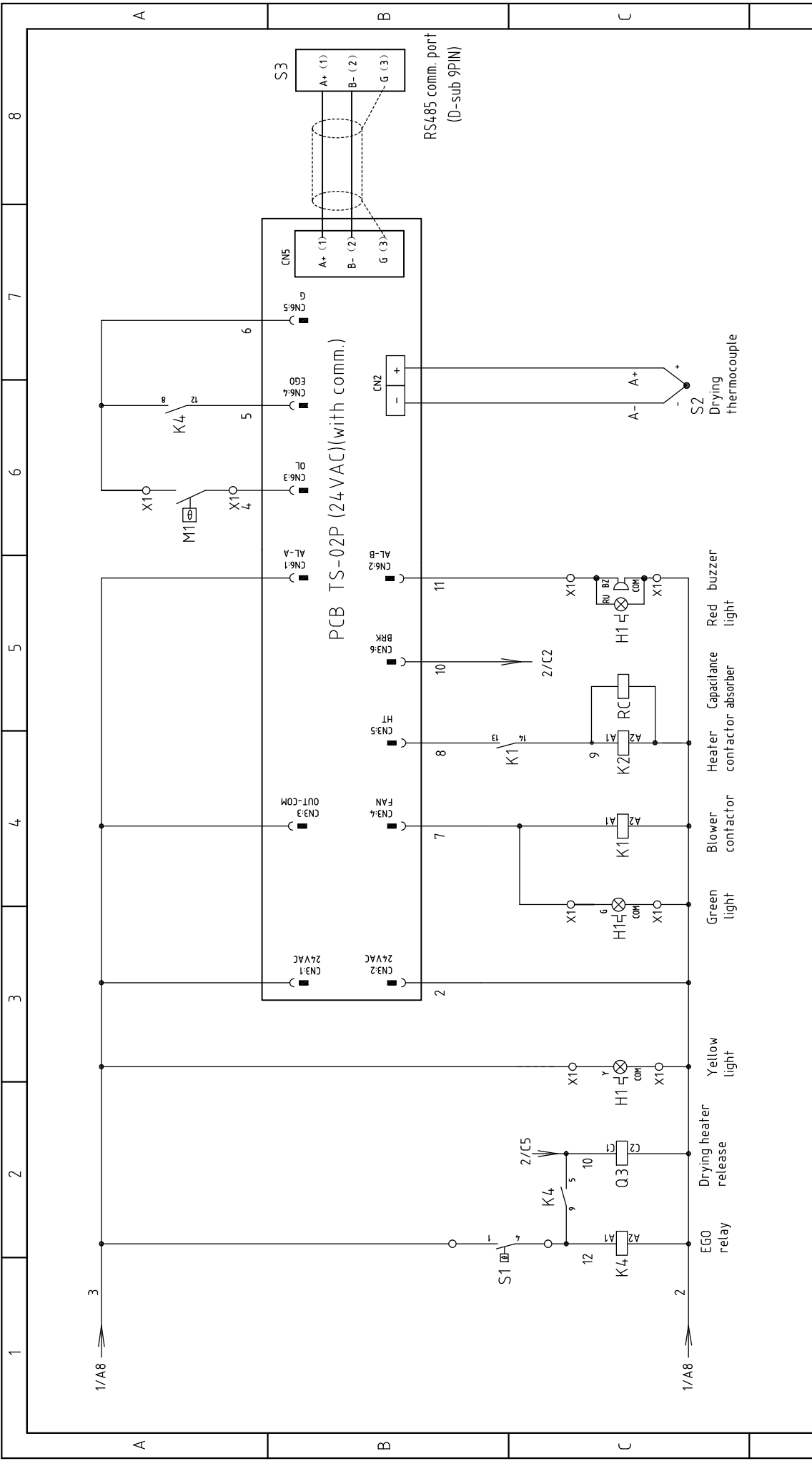


1		2		3		4		5		6		7		8	
NO.	Symbol	Name	Manufacturer	Type	Specification	Number	Material number	Remark							
1	Q1	Main switch	EATON	P3-63/EA/SVB	63A 3P 690V 50/60Hz	1	YE10636300000								
2	Q2	Circuit breaker	TECO	BM-63C/3006S	6A 3P	1	YE40300603000								
3	Q3	Circuit breaker	TECO	BM-63C/3040S	40A 3P	1	YE40304003000								
4		Excitation release	YIJIN	MX	24V AC	1	YE40024000000								
5	Q4	Circuit-breaker	TECO	BM-63C/2003S	3A 2P	1	YE40200203000								
6	Q5	Circuit-breaker	TECO	BM-63C/1003S	3A 1P	1	YE40100203000								
7	K1	AC contactor	SIEMENS	3RT6015-1AB01	7A 3P 1NO 24V AC	1	YE00601502500								
8	K2	AC contactor	SIEMENS	3RT6028-1AC20	38A 3P 24V AC	1	YE00602802600								
9	K4	Middle relay	HONEYWELL	GR-2C-AC24V base PRG-2C-E	24V 50/60Hz	1	YE03022400300								
10	T	Mutual transformer	JIUXIN	IN=230V/200V OUT=24V	80VA	1	YE70023005200								
11	PCB	Dryer controller/PCB	PUMP	TS-02P (24VAC/DC)(assembly)	24V 50/60Hz	1	YE80022405200								
12	S1	Thermal overheat protector	EGO	----	115-320 °C	1	BH90115000150								
13	S2	Thermocouple	SHINI	K TYPE	----	1	----	(1)							
14	S3	Connect to interface port RS-485(Dsub-9pin connector)	YUYUN	----	----	1	YE90048501200								
15		Shell RS485(SAL-700G-A-19)ver.0	BINCHEG	----	----	1	YR40048500000								
16	H1	三色警報灯/Alarm lamp	SHINI	红黄绿色+蜂鸣器	24V AC/DC	1	BL90000041520	Cancel							
17	H1	3-color alarm lamp	SHINI	Red.yel.gre.+buzzer	24V AC/DC	1	BL90002401520	New							
18	X1	Terminal board	HOEYWELL	SK4	4.0mm ²	5	YE60000403200								
19		Terminal board	HOEYWELL	GK5PE	4.0mm ² PE	1	YE60000403500								
20		Terminal board	HOEYWELL	SK6	6mm ²	3	YE60000603200								
21		Terminal board	HOEYWELL	GK6PE	6mm ² PE	1	YE60000603500								
22		Terminal board	HOEYWELL	SK2.5	2.5mm ²	4	YE60002503200								
23		Terminal fittings	HOEYWELL	----	----	5	YE60000003900								
24	M1	Blower	SHINI	0.18kW	230V50/60HZ	1	----	(1)							
25	EH1	Heater	SHINI	12kW	230V50/60HZ	1	----	(1)							
Ver.D															
Notes: (1)Materials not in the control box;															
D															
Drawing NO. SHD-300U/450U-CE-230V-J-4															
Title SHD-300U/450U Elec. Parts List 1															
Version C															
Approved by															
Date 20200618															
Scale Standard CE															
Voltage 3φ230V															
Frequency 50Hz															
Page 4															
Totally 4 Pages															
信易電熱機械股份有限公司 Shini Plastics Technologies, Inc.															
SHINI															
5															
6															
7															
8															



Ver.D							
Mark	Before modification	Modified by	Modify date	Checked by	Proofread by	Designer	Drawer
	After modification						
	20200618						
	Date	Approved by	Version	C	Title		
					SHD-600U/750U		
					Drawing NO.		
					SHD-600U/750U-CE-230V-J-1		
					Scale	Page	
					Standard	Totally	Pages
					CE	5	5
					Voltage	3φ	230V
					Frequency	50	Hz

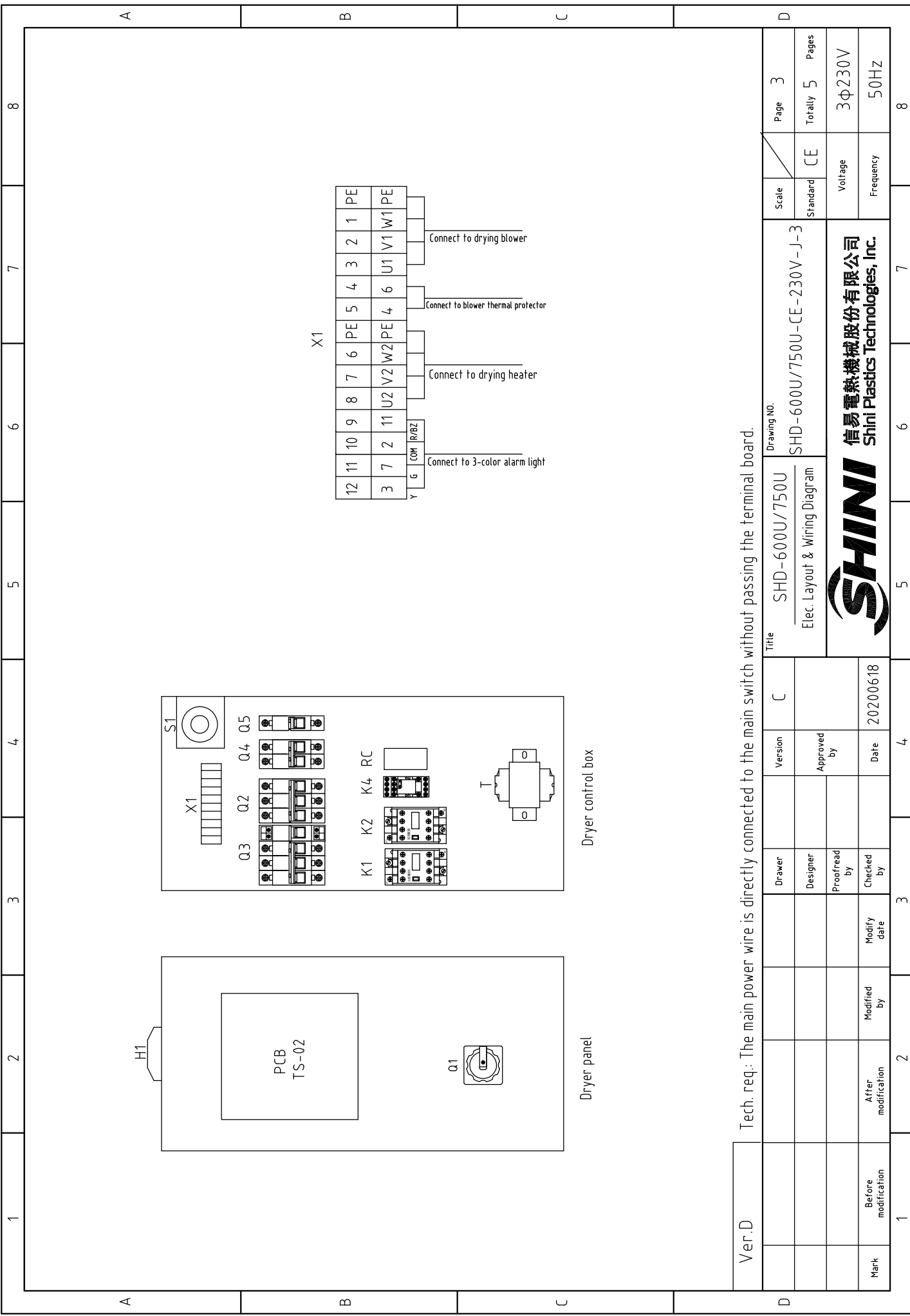




Ver.D Notes: M1 is the thermal overload protector of the drying blower.

Mark	Before modification	Modified by	20200618	Date	Approved by	Version	C	Title	SHD-600U/750U Control Circuit Diagram	Drawing NO. SHD-600U/750U-CE-230V-J-2	Scale	Page
	After modification	Modify date	20200618								Standard	Totally
											CE	2
											Voltage	5
											Frequency	Pages
											3Φ230V	8
											50Hz	





X1

12	11	10	9	8	7	6	PE	5	4	3	2	1	PE
3	7	2	11	U2	V2	W2	PE	4	6	U1	V1	W1	PE
Y	g	COM	R/BZ										

Connect to 3-color alarm light
 Connect to drying heater
 Connect to blower thermal protector
 Connect to drying blower

Tech. req.: The main power wire is directly connected to the main switch without passing the terminal board.

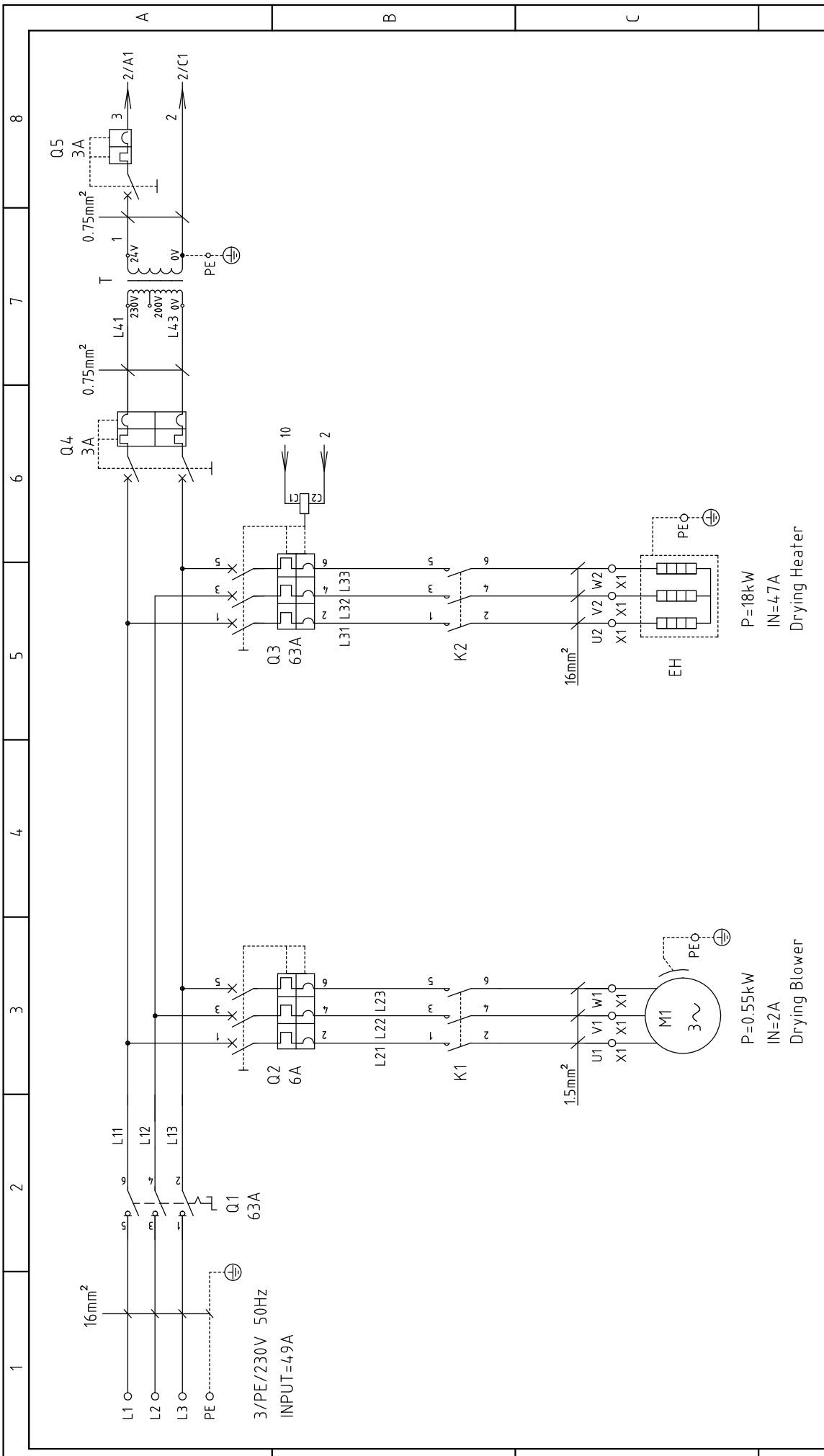
Ver.D	Title				Drawing NO.		Page
	SHD-600U/750U		SHD-600U/750U-CE-230V-J-3		Standard	3	
	Elec. Layout & Wiring Diagram				CE	Totally	5
Mark	Before modification	Modified by	Modify date	Approved by	Voltage		3Φ230V
			20200618		Frequency		50HZ
1	2	3	4	5	6	7	8



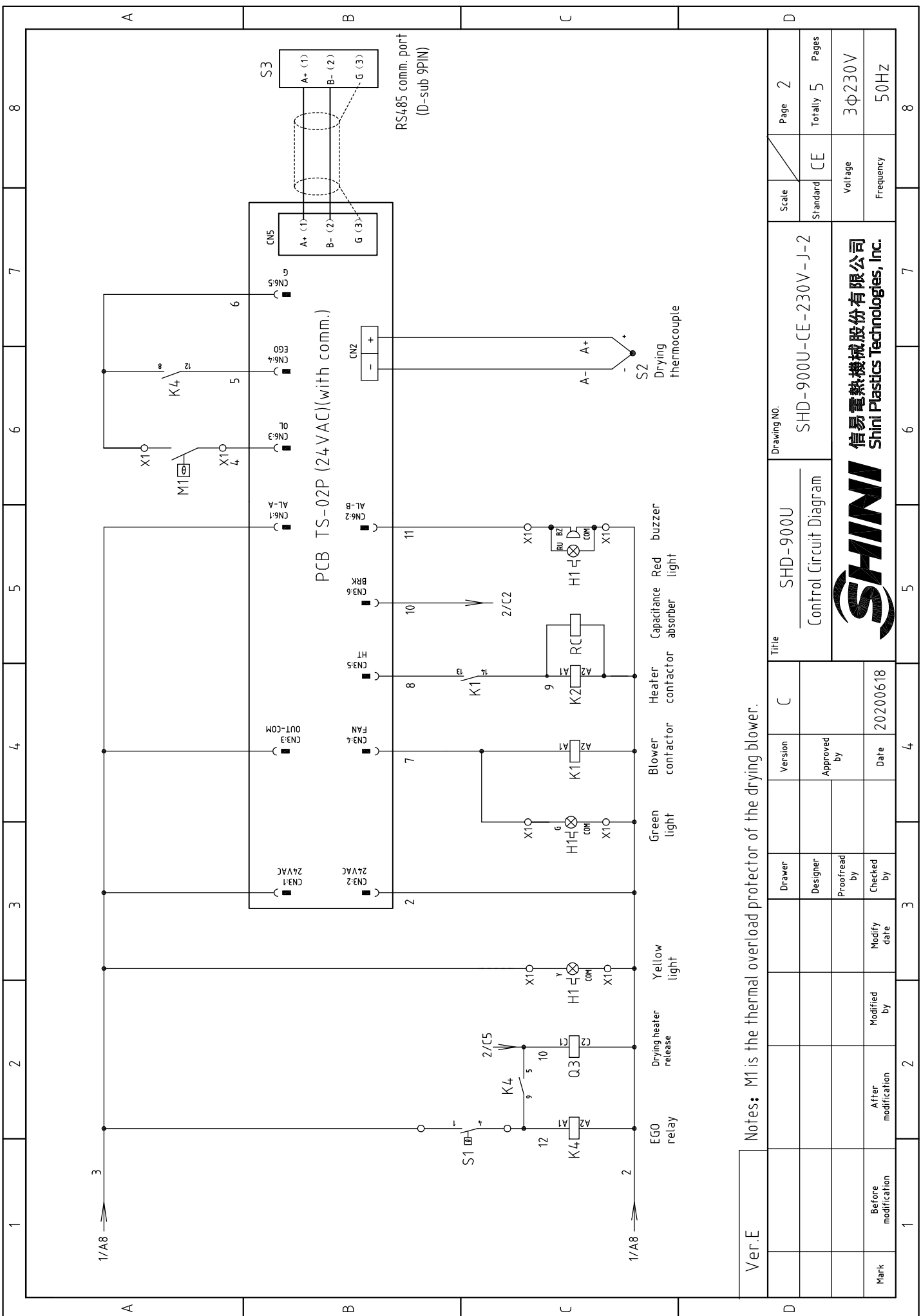
1		2		3		4		5		6		7		8	
NO.	Symbol	Name	Manufacturer	Type	Specification	Number	Material number	Remark							
1	Q1	Main switch	EATON	P3-63/EA/SVB	63A 3P 690V 50/60Hz	1	YE10636300000								
2	Q2	Circuit breaker	TECO	BM-63C/3006S	6A 3P	1	YE40300603000								
3	Q3	Circuit breaker	TECO	BM-63C/3063S	63A 3P	1	YE40306303000								
4		Excitation release	YIJIN	MX	24V AC	1	YE40024000000								
5	Q4	Circuit breaker	TECO	BM-63C/2003S	3A 2P	1	YE40200203000								
6	Q5	Circuit breaker	TECO	BM-63C/1003S	3A 1P	1	YE40100203000								
7	K1	AC contactor	SIEMENS	3RT6015-1AB01	7A 3P 1NO 24V AC	1	YE00601502500								
8	K2	AC contactor	SIEMENS	3RT5044-1AC20	65A 3P 24V AC	1	YE00504402600								
9	K4	Middle relay	HONEYWELL	GR-2C-AC24V base PRG-2C-E	24V 50/60Hz	1	YE03022400300								
10	T	Mutual transformer	JIUXIN	IN=230V/200V OUT=24V	350VA	1	YE70023007000								
11	PCB	Mutual transformer	PUMP	TS-02P (24VAC/DC)(assembly)	24V 50/60Hz	1	YE80022405200								
12	S1	Overheat protector	EGO	-----	115-320 °C	1	BH90115000150								
13	S2	Thermocouple	SHINI	K TYPE	-----	1	-----	(1)							
14	S3	Connect to interface port RS-485(Dsub-9pin connector)	YUYUN	-----	-----	1	YE90048501200								
15		Shell IRS485(SAL-700G-A-19)ver 0	BINCHEG	-----	-----	1	YR40048500000								
16	H1	三色警報灯/Alarm lamp	SHINI	红黄绿色+蜂鸣器	24V AC/DC	1	BL90000001520	Cancel							
17	H1	3-color alarm lamp	SHINI	Red, yel, gre.+ buzzer	24V AC/DC	1	BL90002401520	New							
18	X1	Terminal board	HOEYWELL	SK4	4.0mm ²	5	YE60000403200								
19		Terminal board	HOEYWELL	GK5PE	4.0mm ² PE	1	YE60000403500								
20		Terminal board	HOEYWELL	SK10	16mm ²	3	YE60001603200								
21		Terminal board	HOEYWELL	GK10PE	16mm ² PE	1	YE60001603500								
22		Terminal board	HOEYWELL	SK2.5	2.5mm ²	4	YE60002503200								
23		Terminal fittings	HOEYWELL	-----	-----	5	YE60000003900								
24	M1	Blower	SHINI	0.55kW	230V50/60HZ	1	-----	(1)							
25	EH1	Heater	SHINI	18kW	230V50/60HZ	1	-----	(1)							
Ver.D															
Notes: (1)Materials not in the control box;															
		Drawer		Version		C		Title		Drawing NO.		Scale		Page	
								SHD-600U/750U		SHD-600U/750U-CE-230V-J-4		Standard		Page 4	
		Designer		Approved by				Elec. Parts List 1		CE		Voltage		Totally 5 Pages	
		Proofread by		Date		20200618				Frequency		3φ230V		50Hz	
Mark		After modification		Modified by		Modify date									
1		2		3		4		5		6		7		8	



1	2		3	4	5	6	7	8
NO.	Symbol	Name	Manufacturer	Type	Specification	Number	Material number	Remark
26	RC	Resistance-capacitance absorber	YUYUN	SA-RCS2	PCS	1	YE90000200000	
A								
B								
C								
D								
Ver.D								
Notes: (1)Materials not in the control box;								
Title			Version	C	Drawing No.			Page
SHD-600U/750U					SHD-600U/750U-CE-230V-J-5			5
Elec. Parts List 2			Approved by					Totally
			Date	20200618				5
SHINI			Proofread by					Voltage
信易電熱機械股份有限公司			Checked by					Frequency
Shini Plastics Technologies, Inc.			Modified by					3φ230V
Mark			After modification					50Hz
1	2		3	4	5	6	7	8



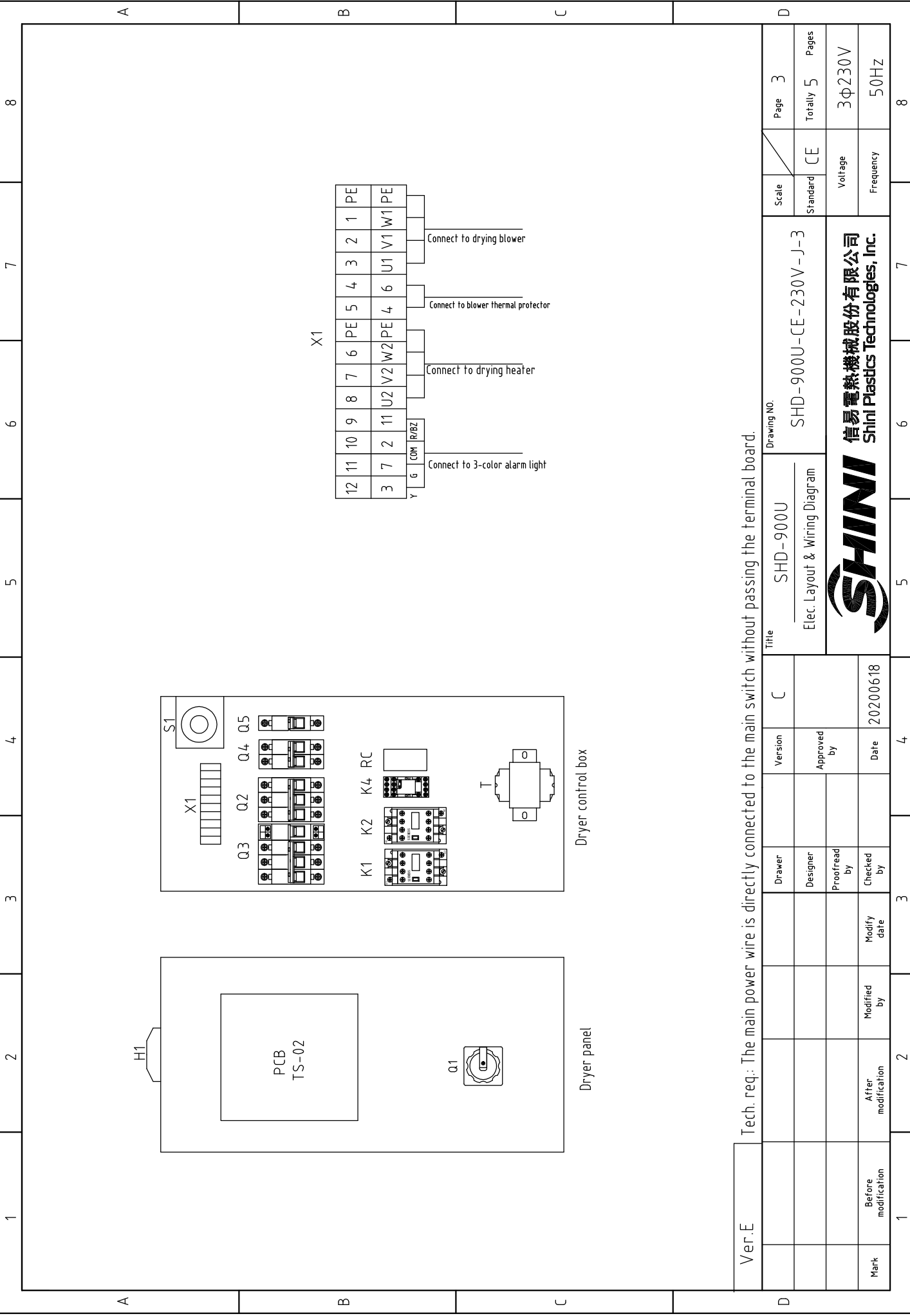
Ver.E										
Mark	Before modification	Modified by	Modify date	Checked by	Proofread by	Designer	Drawer	Version	C	
Title		SHD-900U			Drawing NO.			SHD-900U-CE-230V-J-1		
Main Circuit Diagram										
Scale		Standard			CE			Page 1		
Voltage		3φ230V			Frequency			50Hz		
Totaly		5			Pages			8		
SHINI		信易電熱機械股份有限公司			Shini Plastics Technologies, Inc.					



Notes: M1 is the thermal overload protector of the drying blower.

Ver.E							
Mark	Before modification	After modification	Modified by	Modify date	Checked by	Proofread by	Designer
Version	C						
Title		SHD-900U		SHD-900U-CE-230V-J-2		Drawing NO.	
Control Circuit Diagram		SHINI		SHINI		SHINI	
Scale		CE		Voltage		Page 2	
Standard		Voltage		Frequency		Totally 5 Pages	
Frequency		3φ230V		50Hz			





Ver.E Tech. req.: The main power wire is directly connected to the main switch without passing the terminal board.

Ver.E	Drawer	Version	C	Scale	Page 3
	Designer	Approved by		Standard	Totally 5 Pages
Mark	Proofread by	Date	Drawing NO. SHD-900U-CE-230V-J-3		
	Checked by	20200618	Voltage 3φ230V		
	Modified by		Frequency 50Hz		
	After modification		SHINI 信易電熱機械股份有限公司 Shini Plastics Technologies, Inc.		

1		2		3		4		5		6		7		8	
NO.	Symbol	Name	Manufacturer	Type	Specification	Number	Material number	Remark							
1	Q1	Main switch	EATON	P3-63/EA/SVB	63A 3P 690V 50/60Hz	1	YE10636300000								
2	Q2	Circuit breaker	TECO	BM-63C/3006S	6A 3P	1	YE40300603000								
3	Q3	Circuit breaker	TECO	BM-63C/3063S	63A 3P	1	YE40306303000								
4		Excitation release	YIJIN	MX	24V AC	1	YE40024000000								
5	Q4	Circuit breaker	TECO	BM-63C/2003S	3A 2P	1	YE40200203000								
6	Q5	Circuit breaker	TECO	BM-63C/1003S	3A 1P	1	YE40100203000								
7	K1	AC contactor	SIEMENS	3RT6015-1AB01	7A 3P 1NO 24V AC	1	YE00601502500								
8	K2	AC contactor	SIEMENS	3RT5044-1AC20	65A 3P 24V AC	1	YE00504402600								
9	K4	Middle relay	HONEYWELL	GR-2C-AC24V base PRG-2C-E	24V 50/60Hz	1	YE03022400300								
10	T	Mutual transformer	JIUXIN	IN=230V/200V OUT=24V	350VA	1	YE70023007000								
11	PCB	Dryer controller/PCB	PUMP	TS-02P (24VAC/DC)(assembly)	24V 50/60Hz	1	YE80022405200								
12	S1	Overheat protector	EGO	--	115-320 °C	1	BH90115000150	(1)							
13	S2	Thermocouple	SHINI	K TYPE	--	1	----								
14	S3	Connect to interface port RS-485(sub-9pin connector)	YUYUN	----	----	1	YE90048501200								
15		Shell RS485(SAL-700G-A-19)ver.0	BINCHENG	----	----	1	YR40048500000								
16	H1	三色警報灯/Alarm lamp	SHINI	红黄绿色+蜂鸣器	24V AC/DC	1	BL90000011520	Cancel							
17	H1	3-color alarm lamp	SHINI	Red, yel. gre.+ buzzer	24V AC/DC	1	BL90002401520	New							
18	X1	Terminal board	HOEYWELL	SK4	4.0mm ²	5	YE60000403200								
19		Terminal board	HOEYWELL	GK5PE	4.0mm ² PE	1	YE60000403500								
20		Terminal board	HOEYWELL	SK2.5	2.5mm ²	4	YE60002503200								
21		Terminal board	HOEYWELL	SK10	16mm ²	3	YE60001603200								
22		Terminal board	HOEYWELL	GK10PE	16mm ² PE	1	YE60001603500								
23		Terminal fittings	HOEYWELL	----	----	5	YE60000003900								
24	M1	Blower	SHINI	0.55kW	230V50/60HZ	1	----	(1)							
25	EH1	Heater	SHINI	18kW	230V50/60HZ	1	----	(1)							
Ver.E Notes: (1)Materials not in the control box;															
		Drawer		Version		C		Title		Drawing NO.		Scale		Page	
								SHD-900U		SHD-900U-CE-230V-J-4		Standard		Page 4	
		Designer		Approved by				Elec. Parts List 1				CE		Totally 5 Pages	
		Proofread by		Date		20200618						Voltage		3φ230V	
Mark		Before modification		Modified by		Modify date						Frequency		50Hz	
1		2		3		4		5		6		7		8	

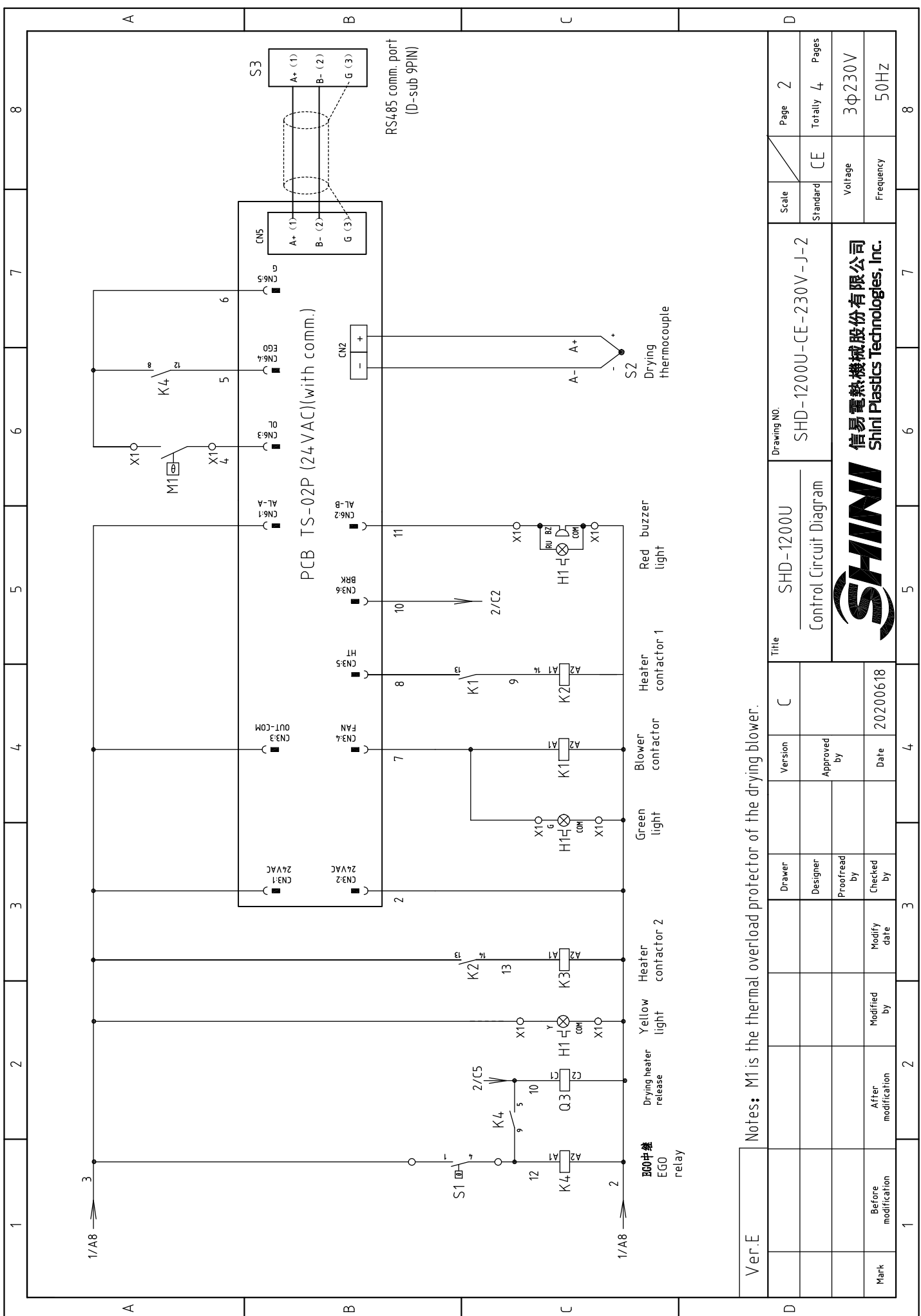


信易電熱機械股份有限公司
Shini Plastics Technologies, Inc.

1	2		3	4	5	6	7	8
NO.	Symbol	Name	Manufacturer	Type	Specification	Number	Material number	Remark
26	RC	Resistance-capacitance absorber	YUYUN	SA-RCS2	PCS	1	YE9000200000	
A								
B								
C								
D								
机型版本 Ver.E								
Notes: (1)Materials not in the control box;								
Title			C	Version	C	Drawing NO.	Scale	Page
SHD-900U					SHD-900U-CE-230V-J-5	SHD-900U-CE-230V-J-5	CE	5
Elec. Parts List 2			Approved by	Date	20200618	Voltage	Frequency	5
SHINI			Proofread by	Checked by	Modified by	Modified date	3φ230V	50Hz
信易电热机械股份有限公司			Shini Plasctics Technologies, Inc.	After modification	Before modification	Mark	1	8



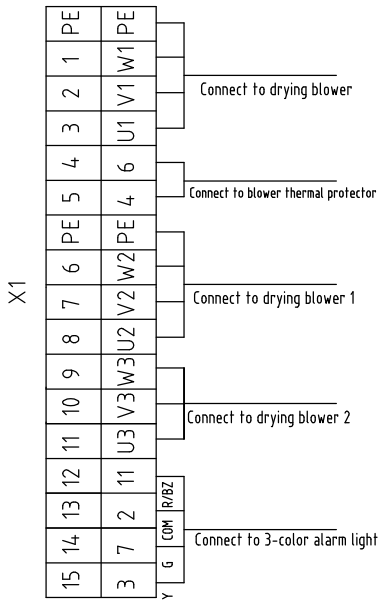
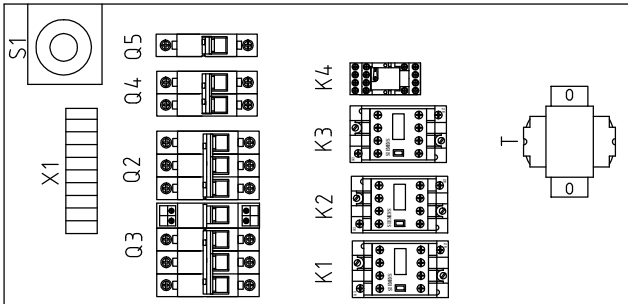
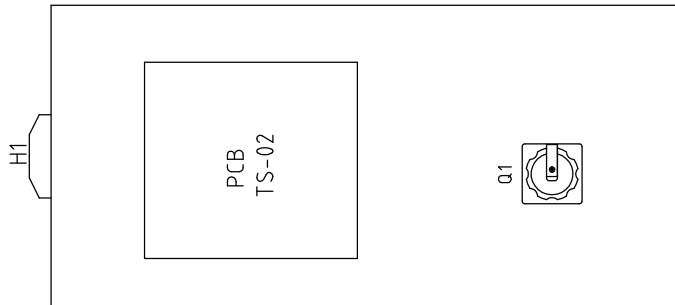
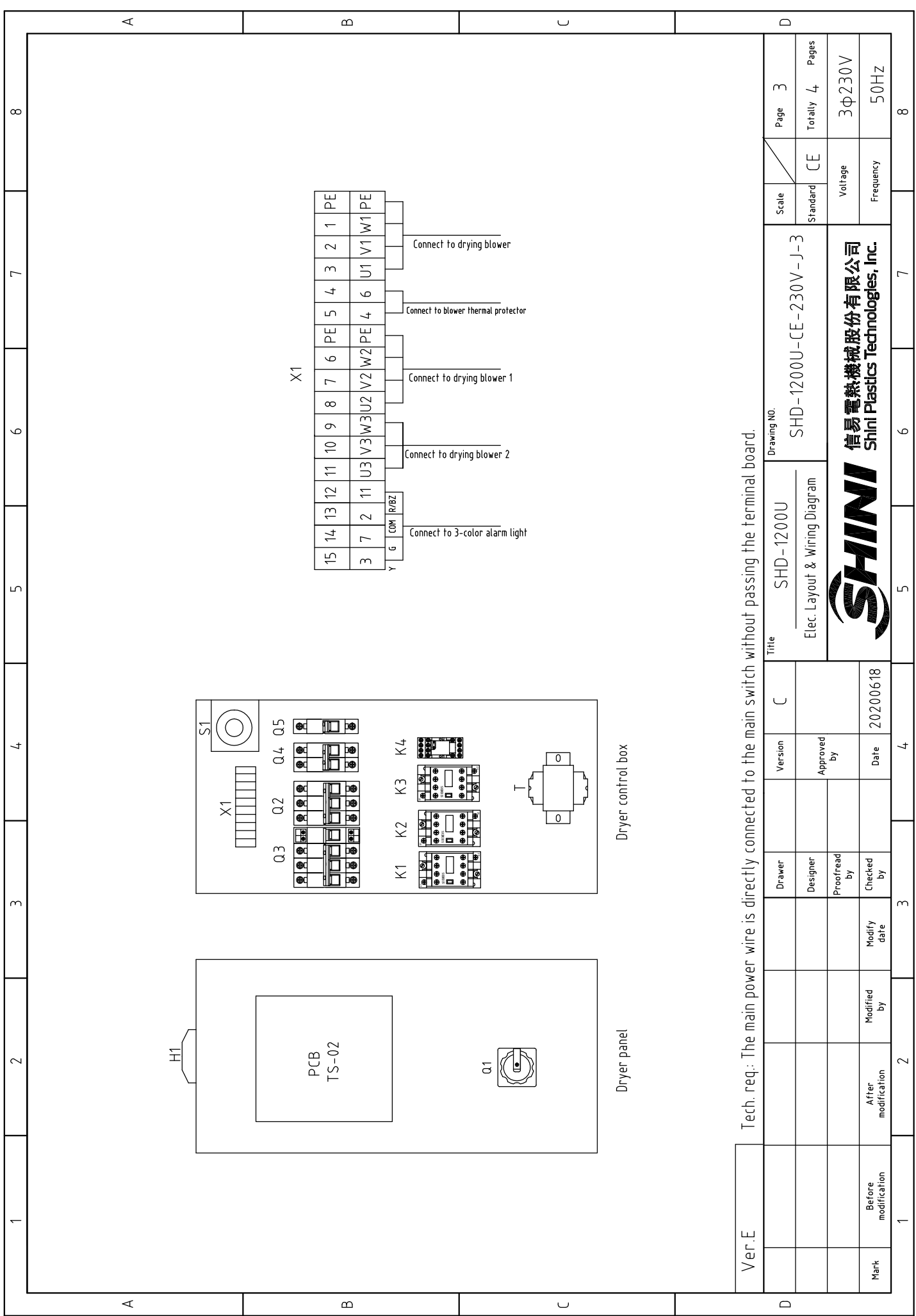
信易电热机械股份有限公司
Shini Plasctics Technologies, Inc.



Notes: M1 is the thermal overload protector of the drying blower.

Ver.E	Version	C	Title	SHD-1200U Control Circuit Diagram		Scale	Page 2
	Designer		SHD-1200U	Standard	CE	Totally 4	Pages
	Proofread by					Voltage	3φ230V
	Checked by					Frequency	50Hz
Mark	After modification		Date	20200618			
	Modified by						
	Modify date						
1	2	3	4	5	6	7	8

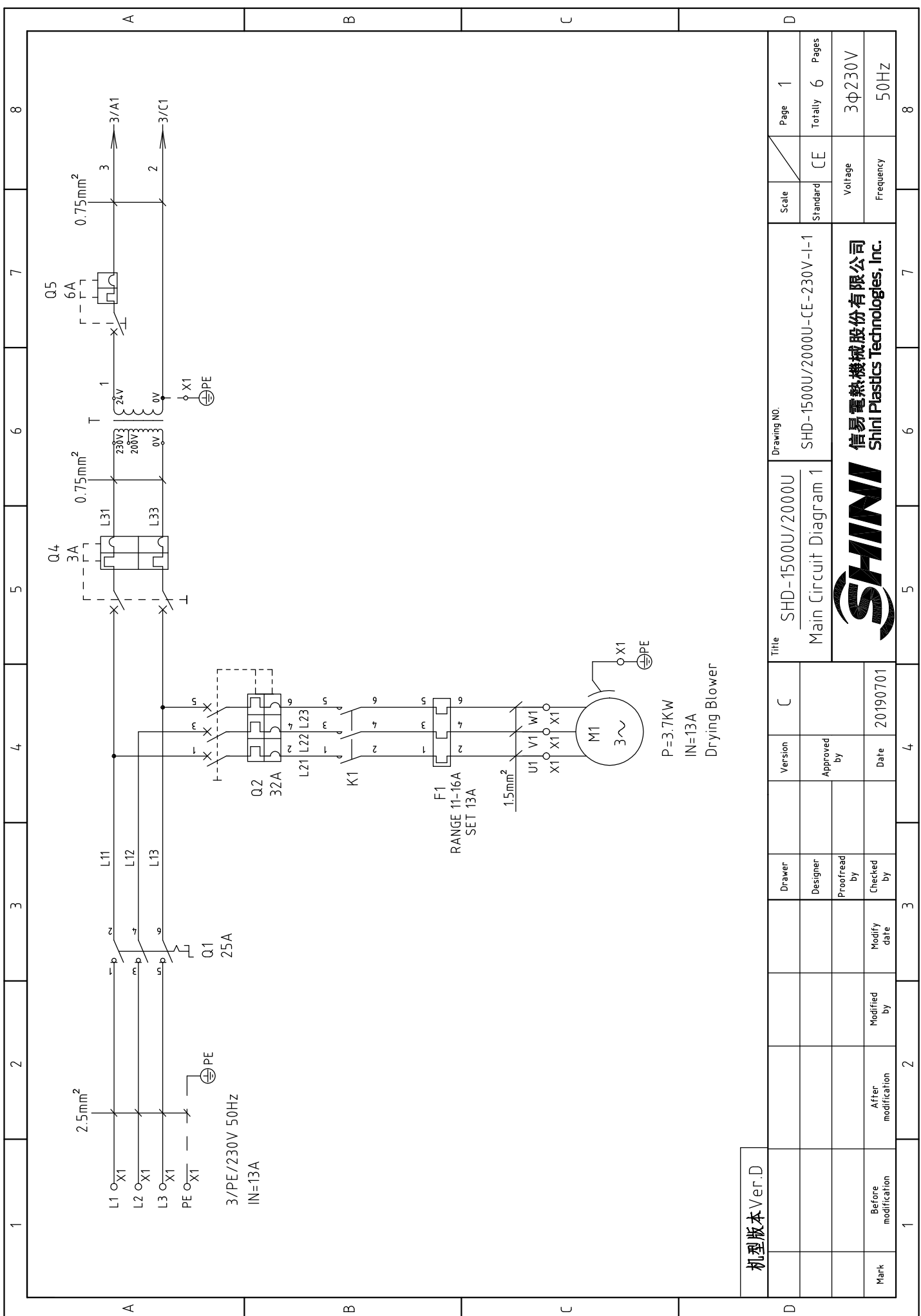





Ver.E	Tech. req: The main power wire is directly connected to the main switch without passing the terminal board.			
Mark	Before modification	After modification	Modified by	Modify date
				20200618

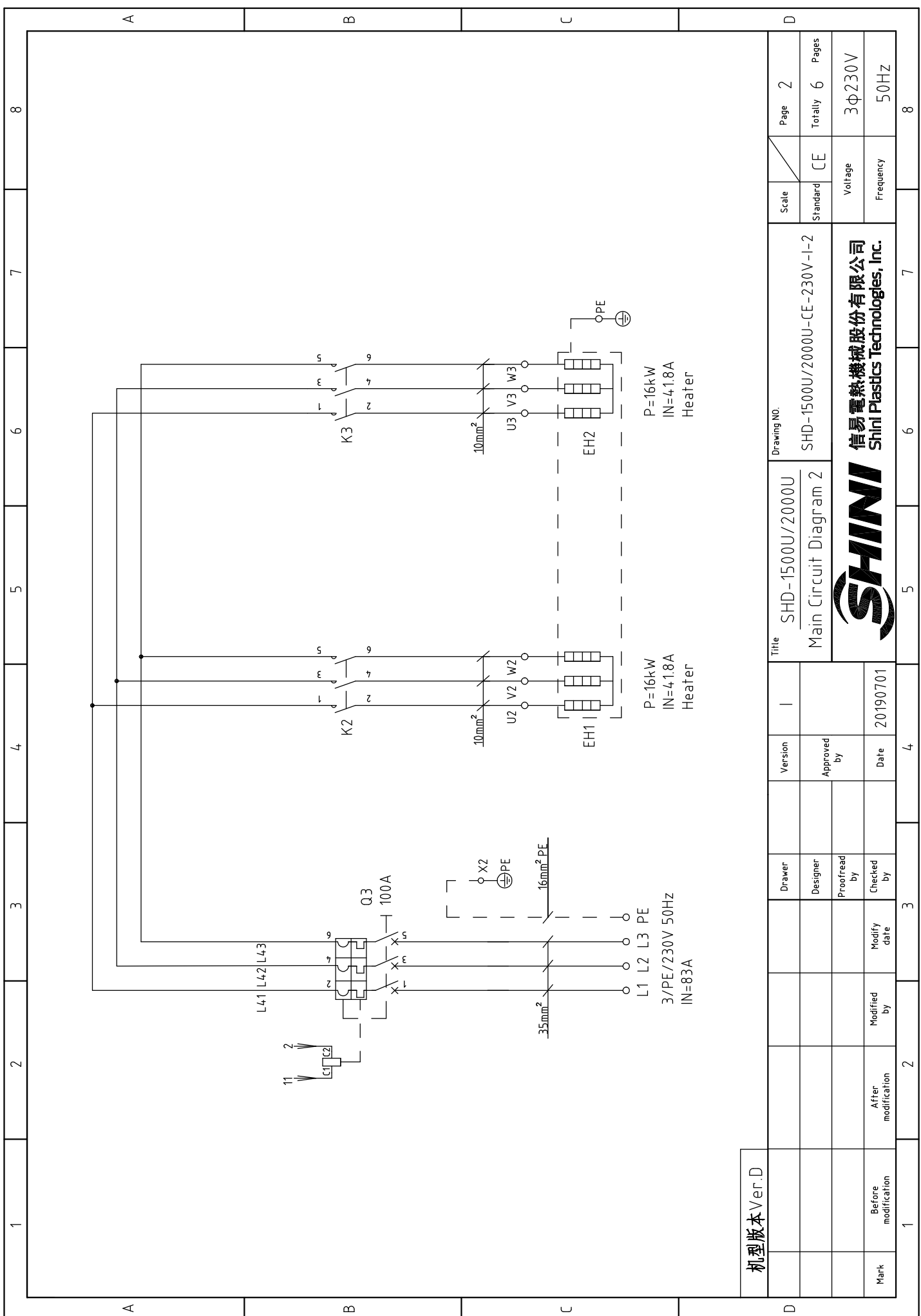
Title	SHD-1200U	Drawing No.	SHD-1200U-CE-230V-J-3	
	Elec. Layout & Wiring Diagram			
Scale	CE	Page	3	
Standard	CE	Totally	4	
Voltage	3φ230V	Frequency	50Hz	
信易電熱機械股份有限公司 Shint Plastics Technologies, Inc.				

1	2		3	4	5	6	7	8
NO.	Symbol	Name	Manufacturer	Type	Specification	Number	Material number	Remark
1	Q1	Main switch	EATON	P3-100/EA/SVB	100A 3P 690V 50/60Hz	1	YE100100000000	
2	Q2	Circuit breaker	TECO	BM-63C/3010S	10A 3P	1	YE406003000000	
3	Q3	Circuit breaker	TECO	BM-100D/3080S	80A 3P	1	YE403080030000	
4		Excitation release	YIJIN	MX	24V AC	1	YE400240000000	
5	Q4	Circuit breaker	TECO	BM-63C/2003S	3A 2P	1	YE402002030000	
6	Q5	Circuit breaker	TECO	BM-63C/1003S	3A 1P	1	YE401002030000	
7	K1	AC contactor	SIEMENS	3RT6015-1AB01	7A 3P 1NO 24V AC	1	YE006015025000	
8	K2 K3	AC contactor	SIEMENS	3RT6028-1AC20	38A 3P 24V AC	2	YE006028026000	
9	K4	Middle relay	HONEYWELL	GR-2C-AC24V base PRG-2C-E	24V 50/60Hz	1	YE030224003000	
10	T	Mutual transformer	JIUXIN	IN=230V/200V OUT=24V	180VA	1	YE700230054000	
11	PCB	Dryer controller/PCB	PUMP	TS-02P (24VAC/DC)(assembly)	24V 50/60Hz	1	YE800224052000	
12	S1	Overheat protector	EGO	----	115-320 °C	1	BH901150000150	
13	S2	Thermocouple	SHINI	K TYPE	----	1	----	(1)
14	S3	Connect to interface port RS-485(Dsub-9pin connector)	YUYUN	----	----	1	YE900485012000	
15		Shell RS485(SAL-700G-A-19)ver.0	BINCHEG	----	----	1	YR400485000000	
16	H1	三色警報灯/Alarm lamp	SHINI	紅黃綠色+蜂鳴器	24V AC/DC	1	BL900000415200	Cancel
17	H1	3-color alarm lamp	SHINI	Red. yel.gre.+ buzzer	24V AC/DC	1	BL900024015200	New
18	X1	Terminal board	HOEYWELL	SK4	4.0mm ²	5	YE600004032000	
19		Terminal board	HOEYWELL	GK5PE	4.0mm ² PE	1	YE600004035000	
20		Terminal board	HOEYWELL	SK6	6.0mm ²	6	YE600006032000	
21		Terminal board	HOEYWELL	GK6	6.0mm ² PE	2	YE600006035000	
22		Terminal board	HOEYWELL	SK2.5	2.5mm ²	4	YE600025032000	
23		Terminal fittings	HOEYWELL	----	----	5	YE600000039000	
24	M1	Blower	SHINI	1.1kW	230V 50/60Hz	1	----	(1)
25	EH1	Heater	SHINI	24kW	230V 50/60Hz	1	----	(1)
Ver.E Notes: (1)Materials not in the control box;								
			Drawer	Version	Title		Scale	Page
			Designer	Approved by	SHD-1200U Elec. Parts List 1		Standard	4
			Proofread by	Date	SHD-1200U-CE-230V-J-4		Voltage	4
			Checked by	20200618	CE		Frequency	4
Mark	Before modification	After modification	Modify date	SHINI		3φ230V		50Hz
			SHINI		信易電熱機械股份有限公司 Shini Plastics Technologies, Inc.		8	
			2		5		7	
			3		6		8	




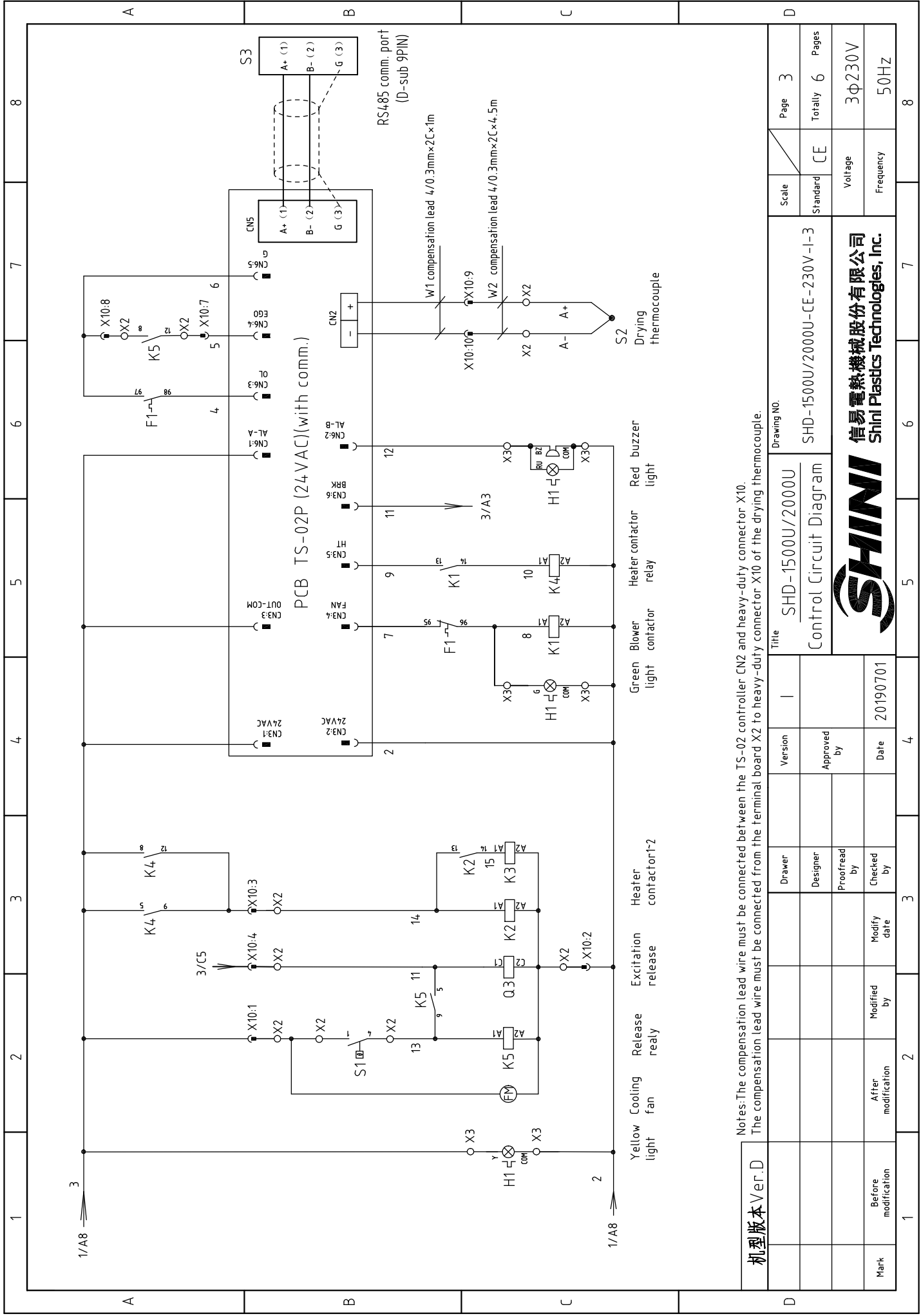
机型版本 Ver.D

Mark	Before modification	Modified by	Modify date	Approved by	Version	C	Title	Drawing NO.	Scale	Page
	After modification								Standard	1
							SHD-1500U/2000U	SHD-1500U/2000U-CE-230V-I-1	CE	Totally 6
							 信易電熱機械股份有限公司 Shini Plastics Technologies, Inc.		Voltage	3φ230V
									Frequency	50Hz
1	2	3	4	5	6	7	8			



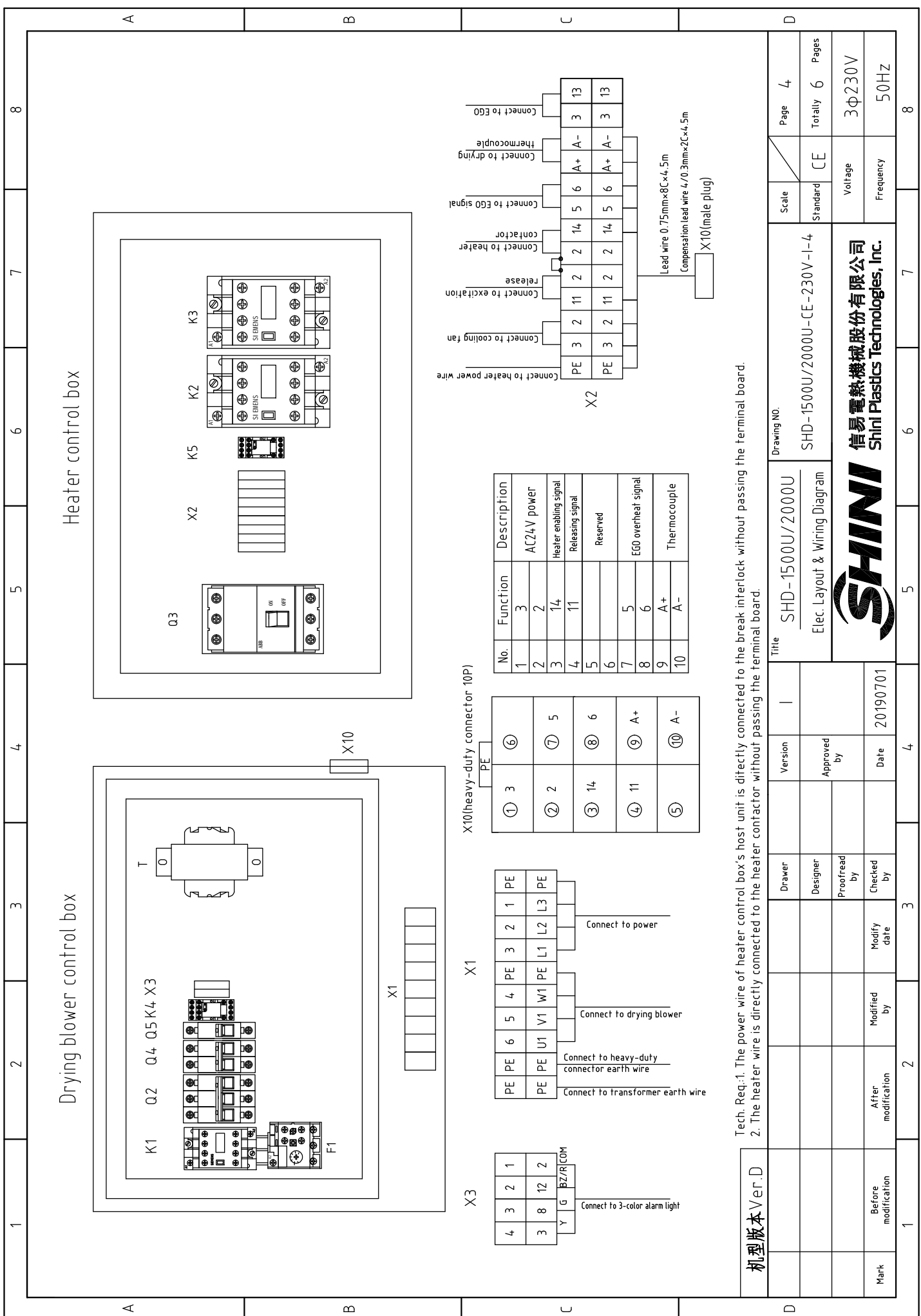
机型版本 Ver.D

Mark	Before modification	Modified by	Modify date	Date	Approved by	Version	I	Title	Drawing NO.	Scale	Page
	After modification	Modified by	Modify date							Standard	Totally
				20190701				SHD-1500U/2000U Main Circuit Diagram 2	SHD-1500U/2000U-CE-230V-I-2	CE	2
								 信易电热机械股份有限公司 Shini Plastics Technologies, Inc.		Voltage	3φ230V
									Frequency	50Hz	
1	2	3	4	5	6	7	8				



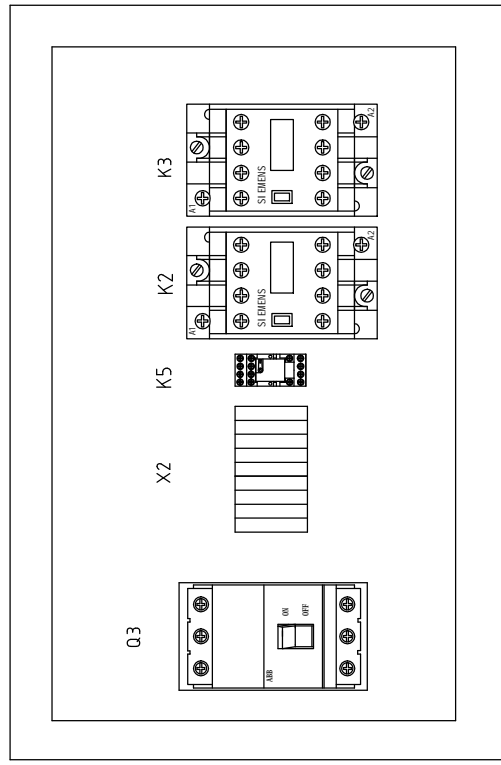
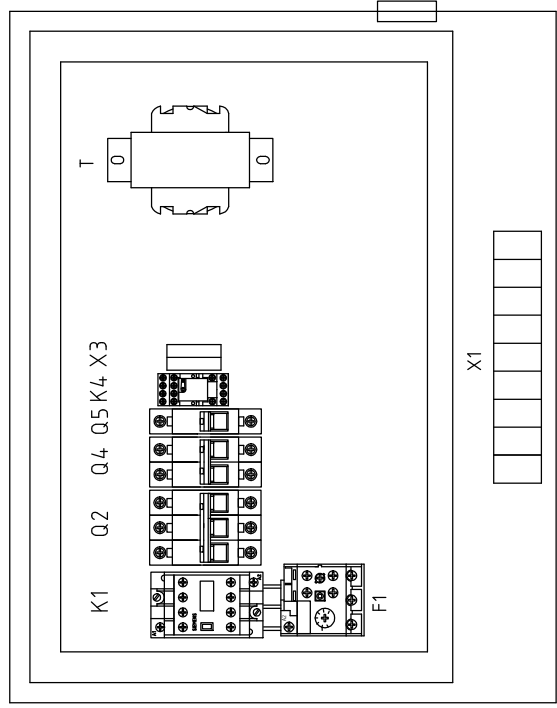
Notes: The compensation lead wire must be connected between the TS-02 controller CN2 and heavy-duty connector X10.
 The compensation lead wire must be connected from the terminal board X2 to heavy-duty connector X10 of the drying thermocouple.

机型版本 Ver.D	Version	1	Scale	Page 3
	Drawer		Standard	Totally 6 Pages
	Designer		Voltage	3φ230V
	Proofread by		Frequency	50Hz
	Checked by		Drawing NO. SHD-1500U/2000U-CE-230V-I-3	
Mark	Before modification	Modified by	Title SHD-1500U/2000U Control Circuit Diagram	
	Modify date	Date	SHINI 信易电热机械股份有限公司 Shini Plastics Technologies, Inc.	
		20190701	SHD-1500U/2000U-CE-230V-I-3	



Drying blower control box

Heater control box



X3

4	3	2	1	PE
3	8	12	2	PE
Y	G	BZ/R/CDM		

Connect to 3-color alarm light

X1

PE	PE	PE	PE	PE	PE	PE	1	PE
PE	PE	U1	V1	W1	L1	L2	L3	PE

Connect to transformer earth wire

Connect to heavy-duty connector earth wire

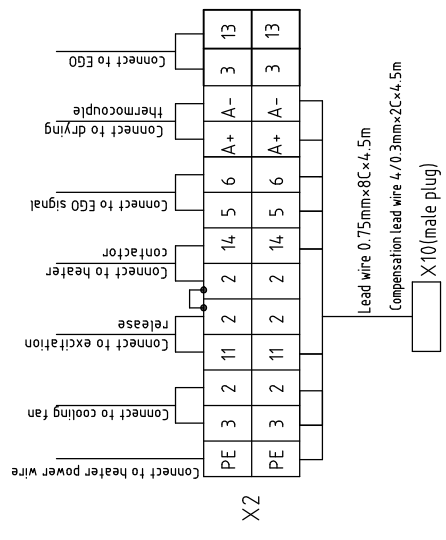
Connect to drying blower

Connect to power

X10(heavy-duty connector 10P)

①	3	⑥
②	2	⑦
③	14	⑧
④	11	⑨
⑤	A+	⑩
	A-	

No.	Function	Description
1	3	AC24V power
2	2	Heater enabling signal
3	14	Releasing signal
4	11	Reserved
5	5	EGO overheat signal
6	6	Thermocouple
7	A+	
8	A-	
9		
10		



Tech. Req:1. The power wire of heater control box's host unit is directly connected to the break interlock without passing the terminal board.
 2. The heater wire is directly connected to the heater connector without passing the terminal board.

机型版本	Ver.D
Mark	Before modification
	After modification
	Modified by
	Modify date
	Checked by
	Proofread by
	Designer
	Version
	Approved by
	Date
	20190701

Scale	Standard	CE	Page	4
			Totally	6
			Voltage	3φ230V
			Frequency	50Hz

Title	SHD-1500U/2000U
Drawing NO.	SHD-1500U/2000U-CE-230V-I-4
Elec. Layout & Wiring Diagram	



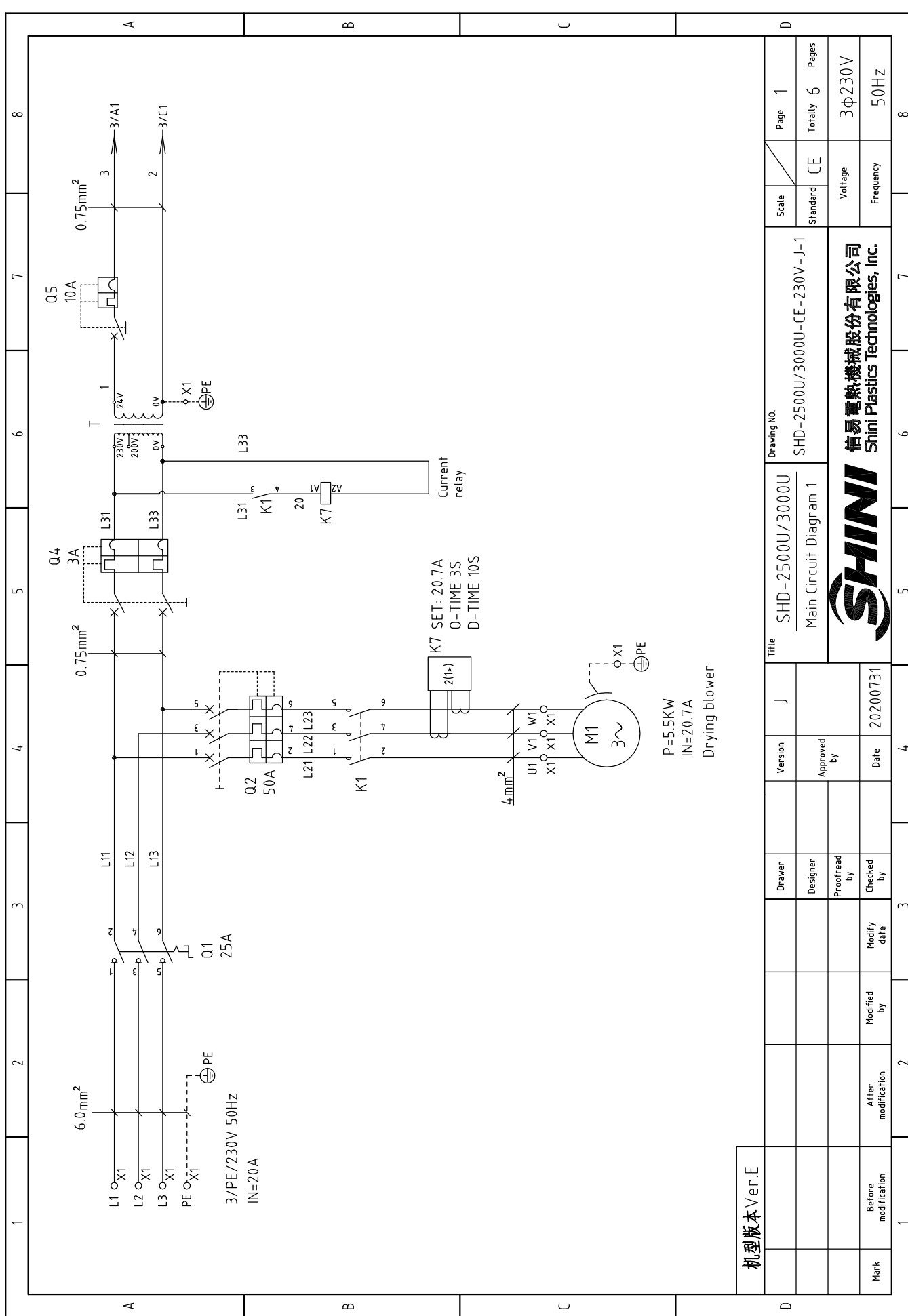
信易電熱機械股份有限公司
 Shini Plastics Technologies, Inc.

1		2		3		4		5		6		7		8	
NO.	Symbol	Name	Manufacturer	Type	Specification	Number	Material number	Remark							
1	Q1	Main switch	EATON	P1-25/EA/SVB	25A 3P	1	YE10125250000								
2	Q2	断路器/Circuit-breaker	TECO	BM-63C/3025S	25A 3P	1	YE403025030000	Cancel							
3	Q2	Circuit breaker	TECO	BM-63C/3032S	32A 3P	1	YE403032030000	New							
4	Q3	Circuit breaker	ABB	A1A125TMF100/10003PFF	100A 3P	1	YE411102000000								
5		Excitation release	ABB	SOR-C	24V-30V AC/DC(A1A2)	1	YE402430009000								
6	Q4	Circuit-breaker	TECO	BM-63C/2003S	3A 2P	1	YE402002030000								
7	Q5	Circuit-breaker	TECO	BM-63C/1006S	6A 1P	1	YE401006001000								
8	K1	交流接触器/Contactor	SIEMENS	3RT6018-1AB01	16A 3P 1NO 24V AC	1	YE006018002500	Cancel							
9	K1	AC contactor	SIEMENS	3RT6025-1AC20	25A 3P 1NO 24V AC	1	YE006025026000	New							
10	K2 K3	AC contactor	SIEMENS	3RT5036-1AC20	50A 3P 24V AC	2	YE005036026000								
11		Assistance contact	SIEMENS	3RH5921-1CA10	1NO	1	YE005921100000								
12	K4 K5	Middle relay	HONEYWELL	GR-2C-AC24V	24V 50/60Hz	2	YE030224003000								
13	F1	热过载继电器/Overload relay	SIEMENS	3RU1126-4AB0	11-16A	1	YE011116001000	Cancel							
14	F1	Overload relay	SIEMENS	3RU6126-4AB0	11-16A	1	YE012601100000	New							
15	T	Mutual transformer	JIUXIN	IN=230V/200V OUT=24V	180VA	1	YE700230054000								
16	PCB	Microcomputer control board/PCB	PUMP	TS-02P (24VAC/DC)(assembly)	24V 50/60Hz	1	YE800224052000								
17	S1	Overheat protector	EGO	115-320°C	250V 16A	1	----	(1)							
18	S2	Thermocouple	SHINI	5x93LxM8x8M	----	1	----	(1)							
19	S3	Connect to interface port RS-485(Dsub-9pin connector)	YUYUN	----	----	1	YE900485012000								
20		Shell RS485(SAL-700G-A-19)ver.0	BINCHEG	----	----	1	YR400485000000								
21	H1	三色警光灯/Alarm lamp	SHINI	红黄绿各一峰鸣器	24V AC/DC	1	BL900000H520	Cancel							
22	H1	Alarm lamp	SHINI	Red, yel, gre.+ buzzer	24V AC/DC	1	BL900024015200	New							
23	X1	Terminal board	HONEYWELL	SK2.5	2.5mm ²	6	YE600025032000								
24		Terminal board	HONEYWELL	GK2.5PE	2.5mm ² PE	4	YE600025034000								
26	X2	Terminal board	HONEYWELL	GK16PE	16mm ² PE	1	YE600016035000								
机版本 Ver.D															
Notes: (1)Materials not in the control box;															
		Drawer		Version		Title		Drawing NO.		Scale		Page		5	
		Designer		Approved by		SHD-1500U/2000U		SHD-1500U/2000U-CE-230V-I-5		Standard		CE		Totally 6	
		Proofread by		Date		Elec. Parts List 1				Voltage		3Φ230V		Pages	
Mark		After modification		Modify date		20190701				Frequency		50HZ		8	



SHINI
信易电热机械股份有限公司
Shini Plastics Technologies, Inc.

1		2		3		4		5		6		7		8	
NO.	Symbol	Name	Manufacturer	Type	Specification	Number	Material number	Remark							
27		Terminal board	HONEYWELL	SK2.5	2.5mm ²	12	YE60002503200								
28	X3	Terminal board	HONEYWELL	SK2.5	2.5mm ²	4	YE60002503200								
29		Terminal fittings	HONEYWELL	GK series	PCS	5	YE60000003900								
30	X10	Heavy duty connector	HARTING	10P+PE (male plug)+socket	10P	1	YE68001001300	(1)							
31		Cable lock PG21	JIGUO	PG21	----	1	YE67002100000	(1)							
32	FM	Fan	BESTFLOW	KD12025D	24VAC 50/60HZ	1	YM60121206400	(1)							
33	M1	Blower	----	3kW	230VAC 50Hz	1	----	(1)							
34	EH1 EH2	Heater	SHINI	16kW	230VAC	2	----	(1)							
									B						
									C						
									D						
机型版本 Ver.D															
Notes: (1)Materials not in the control box;															
		Drawer		Version		Title		Drawing NO.				Scale		Page	
						SHD-1500U/2000U Elec. Parts List 2		SHD-1500U/2000U-CE-230V-I-6				Standard		CE	
		Designer		Approved by		Date						Voltage		Frequency	
		Proofread by		Checked by		20190701						3φ230V		50Hz	
Mark		Before modification		Modified by		Modify date						Totally		6	
1		2		3		4		5				6		7	
								SHINI				信易電熱機械股份有限公司 Shini Plastics Technologies, Inc.		8	



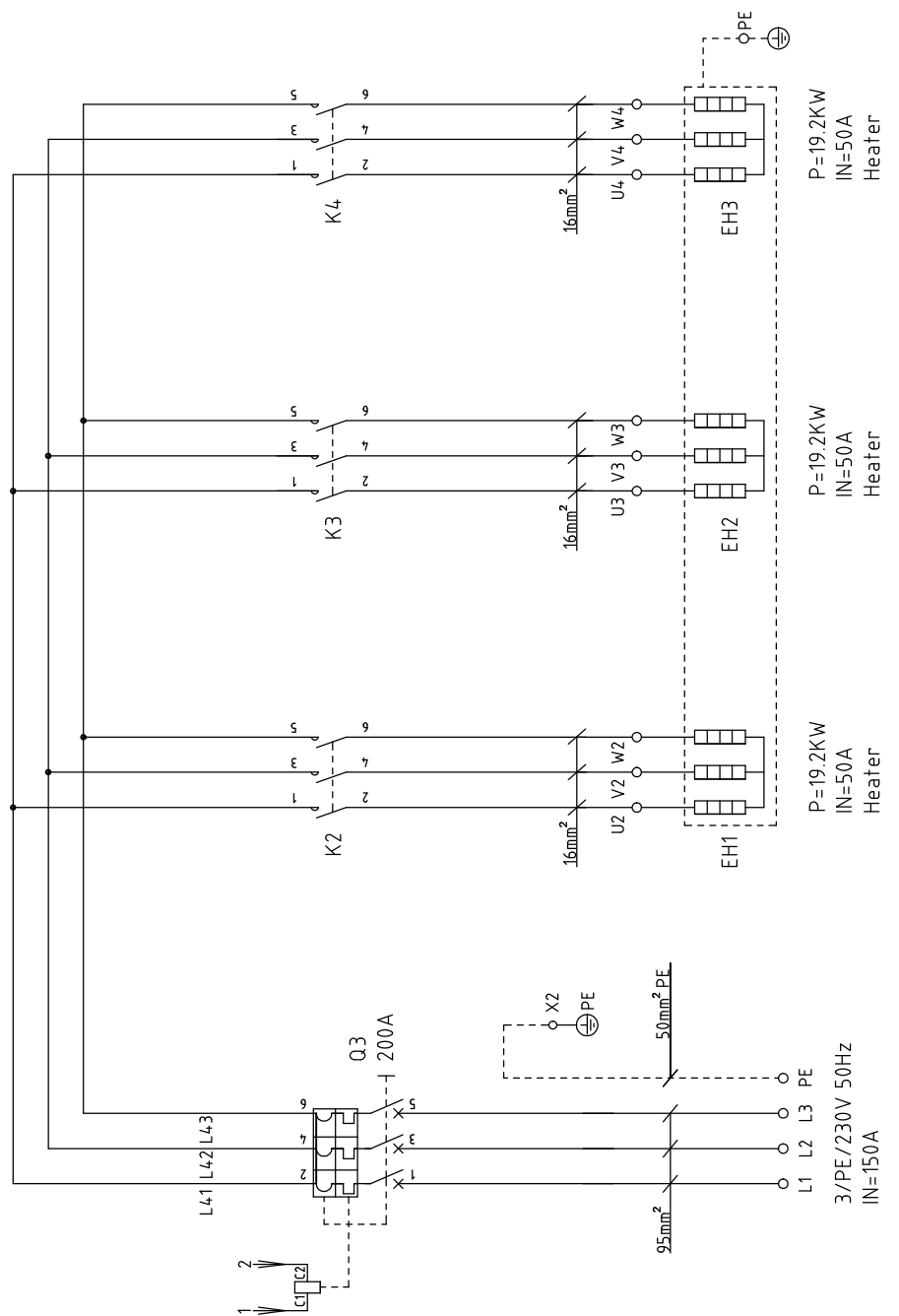
机型版本 Ver.E

P=5.5KW
IN=20.7A
Drying blower


Mark	Before modification	Modified by	Modify date	Date	20200731	Version	J	Title	SHD-2500U/3000U		Scale	Page 1
	After modification	Modified by	Modify date						Main Circuit Diagram 1			
Drawing NO.									SHD-2500U/3000U-CE-230V-J-1		CE	Pages
SHINI									信易电热机械股份有限公司 Shini Plastics Technologies, Inc.		Voltage	3Φ230V
									Frequency		50HZ	8

1 2 3 4 5 6 7 8

A B C D



机型版本 Ver.E

Mark	Before modification	Modified by	Modify date	Checked by	Date	Approved by	Version	J	Title	Drawing NO.		Scale	Page
					20200731				SHD-2500U/3000U Main Circuit Diagram 2	SHD-2500U/3000U-CE-230V-J-2	CE	2	
									 信易电热机械股份有限公司 Shini Plastics Technologies, Inc.		Standard	Totally	
											CE	6	
												Voltage	Pages
												3φ230V	8
												Frequency	
												50Hz	

1

2

3

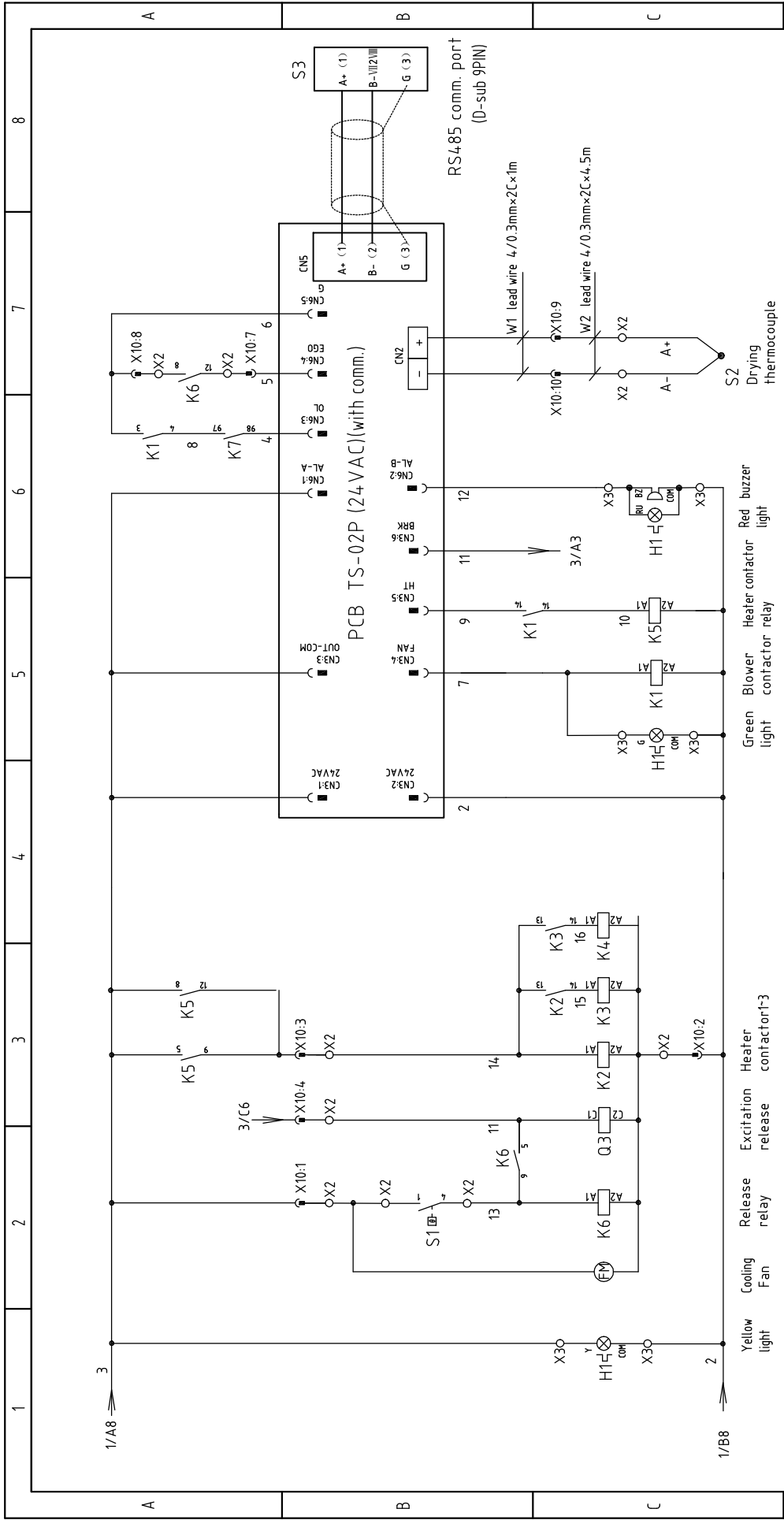
4

5

6

7

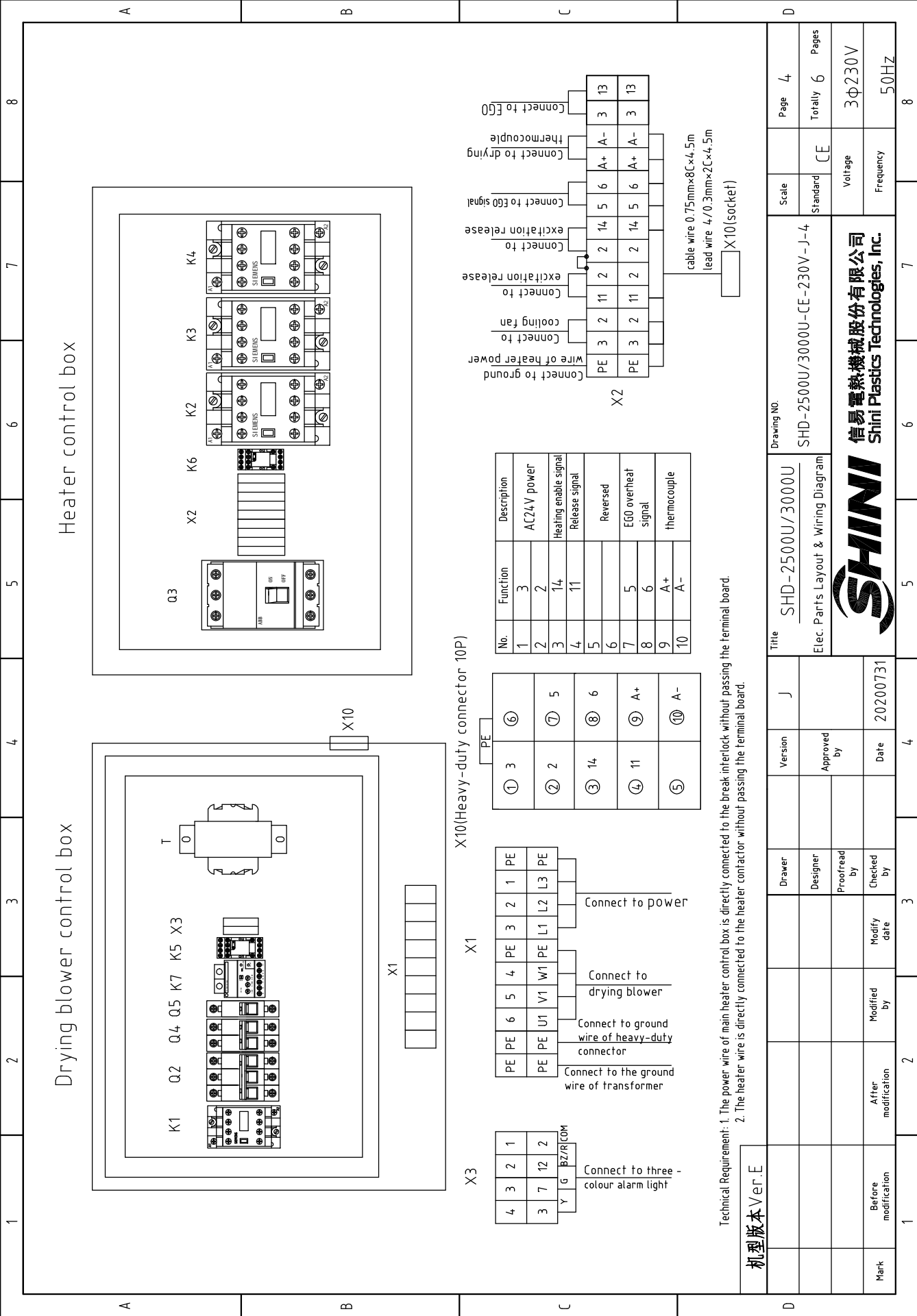
8



机型版本 Ver.E			
Mark	Before modification	Modified by	Modify date
Mark	After modification	Modified by	Modify date
Proofread by	Checked by	Approved by	Date
Designer	Checked by	Approved by	Date
Drawer	Checked by	Approved by	Date
Version	J	Approved by	Date
Title	SHD-2500U/3000U Control Circuit Diagram		
Scale	Standard	CE	Page 3
Standard	CE	CE	Totally 6 Pages
Frequency	50Hz	Frequency	3Φ230V
Voltage	230V	Voltage	50Hz

Compensation lead
 Notes: Compensation lead must be connected between TS-02 controller TS-02 and heavy-duty connector X10.
 Compensation lead must be connected from terminal board X2 to heavy-duty connector X10 of the drying thermocouple.

信易电热机械股份有限公司
 Shini Plastics Technologies, Inc.

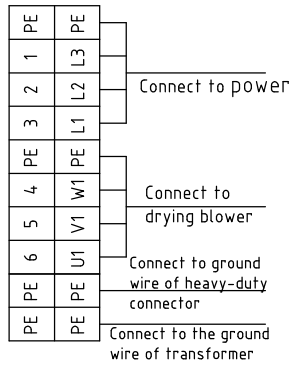


Drying blower control box

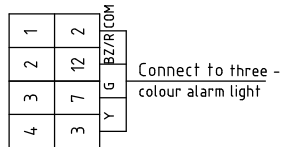
Heater control box

X10(Heavy-duty connector 10P)

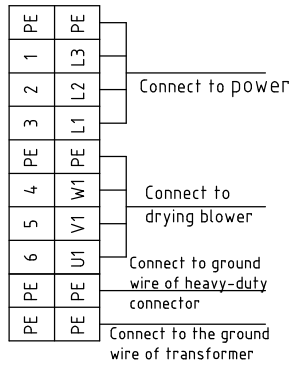
No.	Function	Description
1	3	AC24V power
2	2	Heating enable signal
3	14	Release signal
4	11	Reversed
5	5	E60 overheat signal
6	6	thermocouple
7	A+	
8	A-	
9	A+	
10	A-	



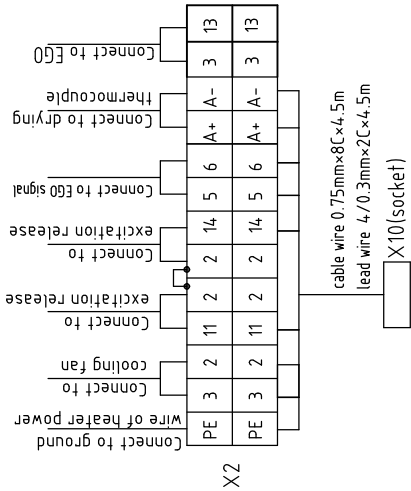
X3



X1



No.	Function	Description
1	3	AC24V power
2	2	Heating enable signal
3	14	Release signal
4	11	Reversed
5	5	E60 overheat signal
6	6	thermocouple
7	A+	
8	A-	
9	A+	
10	A-	




Technical Requirement: 1. The power wire of main heater control box is directly connected to the break interlock without passing the terminal board.
 2. The heater wire is directly connected to the heater contactor without passing the terminal board.

机型版本 Ver.E

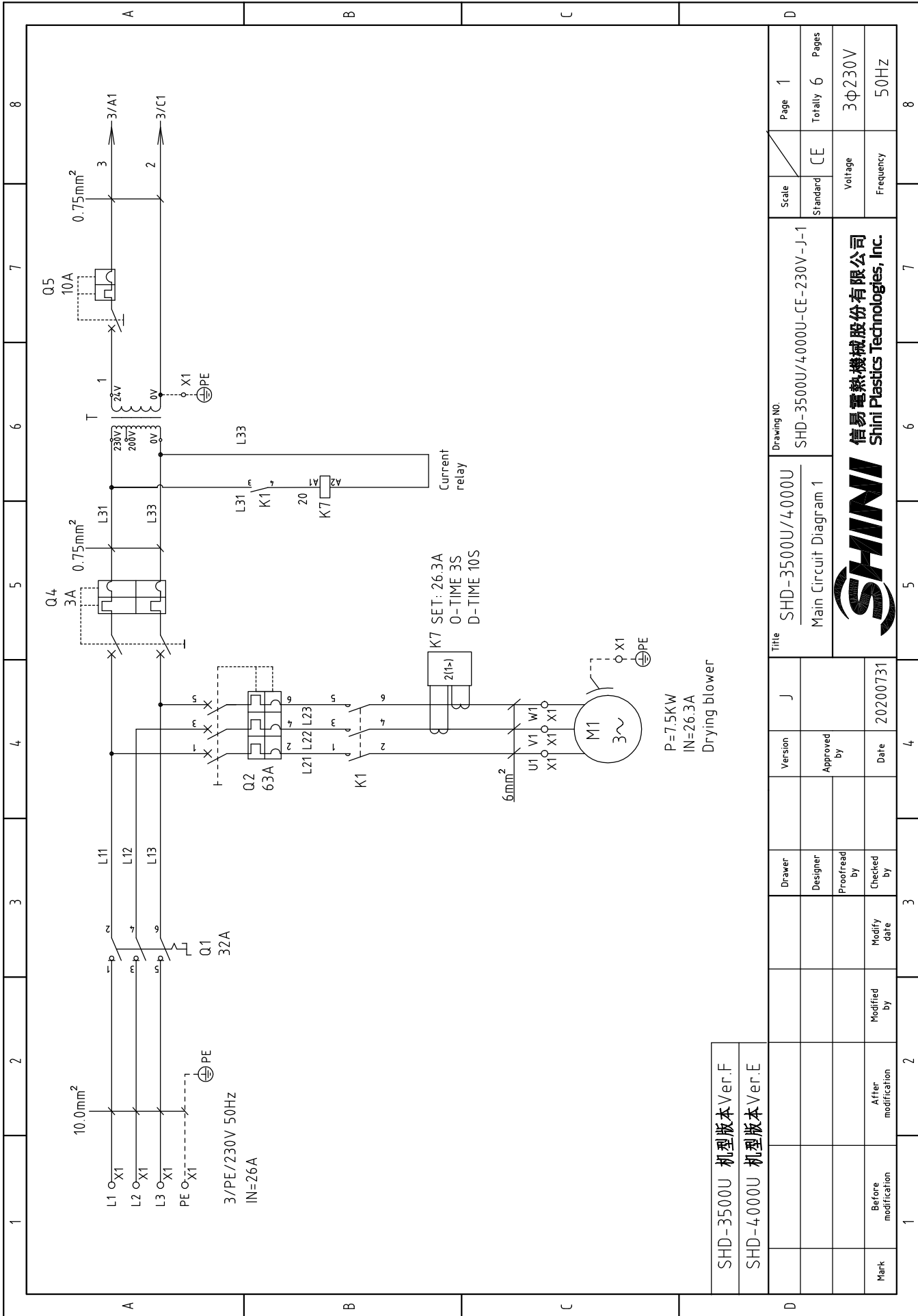
Mark	Before modification	After modification	Modified by	Modify date	Checked by	Date	20200731
Drawer	Designer	Proofread by	Approved by	Version	J	Title	SHD-2500U/3000U
Elec. Parts Layout & Wiring Diagram							
SHD-2500U/3000U-CE-230V-J-4							
Scale	Standard	CE	Page	4	Drawing NO.		
Frequency	50HZ	Voltage	3Φ230V		Totally		
Pages	6	SHD-2500U/3000U-CE-230V-J-4					



信易電熱機械股份有限公司
Shini Plastics Technologies, Inc.

1		2		3		4		5		6		7		8			
NO.	Symbol	Name	Manufacturer	Type	Specification	Number	Material number	Remark									
1	Q1	Main switch	EATON	P1-25/EA/SVB	25A	1	YE10125250000										
2	Q2	Circuit breaker	TECO	BM-63C/3050S 3P	50A	1	YE40305003000										
3	Q3	Break interlock	ABB	A2B250TMF200/20003P	200A	1	YE41252200000										
4		Excitation release	ABB	S0R-C	24-30VAC/DC	1	YE40243000900										
5	Q4	Circuit breaker	TECO	BM-63C/2003S 2P	3A	1	YE40200203000										
6	Q5	Circuit breaker	TECO	BM-63C/1010S 1P	10A	1	YE40101000100										
7	K1	AC contactors	SIEMENS	3RT6027-1AC20	32A 24V AC	1	YE00602702600										
8		Auxiliary contact terminal	SIEMENS	3RH6911-1HA22	2NC+2NO	1	YE00691100000										
9	K2 K3 K4	AC contactors	SIEMENS	3RT5044-1AC20	65A 24V AC	3	YE00504402600										
10		Auxiliary contact terminal	SIEMENS	3RH5921-1CA10	1NO	2	YE00592110000										
11	K5 K6	Middle relay	HONEYWELL	GR-2C-AC24V	----	2	YE03022400300										
12	K7	Current relay	SCHNEIDER	LT4760M7S	5-60A 220V AC	1	YE04476000100										
13	T	Mutual transformer	JIUXIN	IN-230V/200V OUT=24V	350VA	1	YE70023007000										
14	PCB	Microcomputer PCB	PUMP	TS-02P (24VAC/DC)(assembly)	24V 50/60Hz	1	YE80022405200										
15	S1	Overheat protector	EGO	115-320°C	----	1	----	(1)									
16	S2	Thermocouple	SHINI	5×93L×M8×8M	----	1	----	(1)									
17	S3	Communication interface board RS-485 (double Disub-9pin connector)	YUYUN	----	----	1	YE90048501200										
18	H1	Three - color alarm light	SHINI	red,yel. gre.+ buzzer	24 VAC	1	BL90002401520										
19	X1	Terminal board	HONEYWELL	GK6	6.0mm ²	6	YE60000603200										
20		Terminal board	HONEYWELL	GK6PE	6.0mm ² PE	2	YE60000603500										
21		Terminal board	HONEYWELL	GK2.5PE	2.5mm ² PE	2	YE60002503400										
22	X2	Terminal board	HONEYWELL	GK35PE	35mm ² PE	1	YE60003503500										
23		Terminal board	HONEYWELL	SK2.5	2.5mm ²	12	YE60002503200										
24	X3	Terminal board	HONEYWELL	SK2.5	2.5mm ²	4	YE60002503200										
25		Terminal fittings E/GK series(honeywell)	HONEYWELL	GK series	PCS	5	YE600000003900										
机型版本 Ver.E																	
Notes: (1)Means it's not the material inside the control box.																	
Mark		Before modification	After modification	Modified by	Modify date	Checked by	Proofread by	Designer	Drawer	Version	J	Title		Scale		Page	
					20200731							SHD-2500U/3000U Electrical Parts List 1		SHD-2500U/3000U-CE-230V-J-5		5	
												 信易电热机械股份有限公司 Shini Plastics Technologies, Inc.		CE		Voltage	
														Frequency		3Φ230V	
														Frequency		50HZ	
														Standard		Totally 6	
														Standard		Pages	
														Standard		5	

1		2		3		4		5		6		7		8	
NO.	Symbol	Name	Manufacturer	Type	Specification	Number	Material number	Remark							
26	X10	Heavy duty connector	HARTING	10P+PE(plug)+socket)	10P	1	YE68001001300	(1)							
27		Cable lock PG21	JIGUO	PG21	----	1	YE67002100000	(1)							
28	FM	Fan	BESTFLOW	KD12025D	24V 50/60Hz	1	YM60121206400	(1)							
29	M1	Blower	----	5.5kW	230VAC 50Hz	1	----	(1)							
30	EH1EH2EH3	Heater	SHINI	19.2kW	230VAC	3	----	(1)							
A															
B															
C															
D															
机型版本 Ver.E															
Notes: (1)Means it's not the material inside the control box.															
Mark		Before modification	Modified by	Modify date	Checked by	Date	20200731								
Title		SHD-2500U/3000U Electrical Parts List 2		Version		J		Drawing NO.		SHD-2500U/3000U-CE-230V-J-6		Scale		Page 6	
Standard		CE		Approved by				Voltage		3Φ230V		Frequency		50Hz	
Totality		6		Pages		6									
SHINI		信易電熱機械股份有限公司 Shini Plastics Technologies, Inc.													
1		2		3		4		5		6		7		8	



SHD-3500U 机型版本 Ver.F

SHD-4000U 机型版本 Ver.E

Mark	Before modification	Modified by	Modify date	20200731
	After modification	Modified by	Modify date	
Proofread by	Checked by	Approved by	Date	
Designer	Checked by	Approved by	Date	
Drawer	Checked by	Approved by	Date	
Version	Checked by	Approved by	Date	J

Title SHD-3500U/4000U
Main Circuit Diagram 1



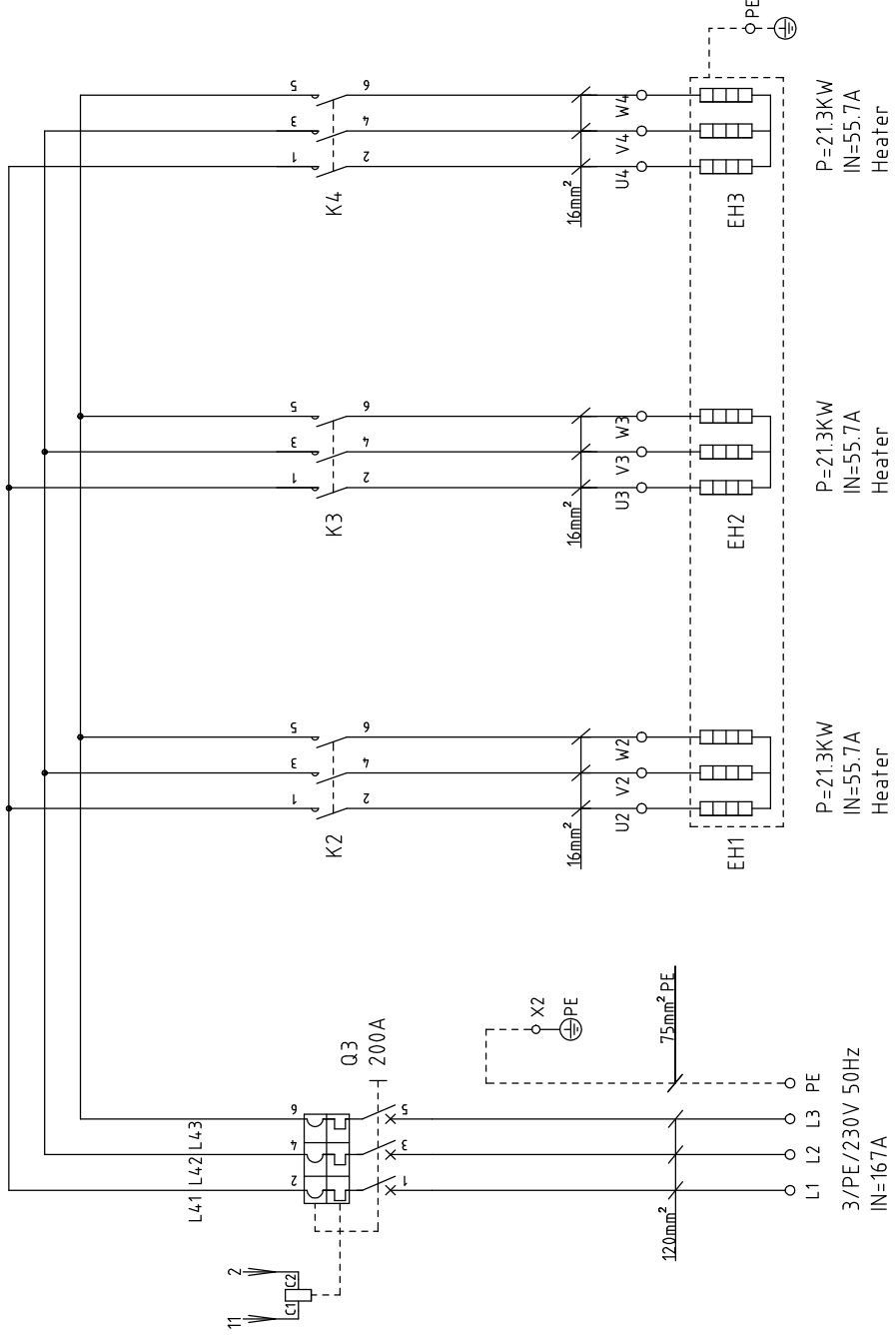
信易电热机械股份有限公司
Shini Plastics Technologies, Inc.

Scale	Page 1
Standard	Totally 6
CE	Pages
Voltage	3φ230V
Frequency	50Hz

Drawing NO. SHD-3500U/4000U-CE-230V-J-1

1 2 3 4 5 6 7 8

A B C D

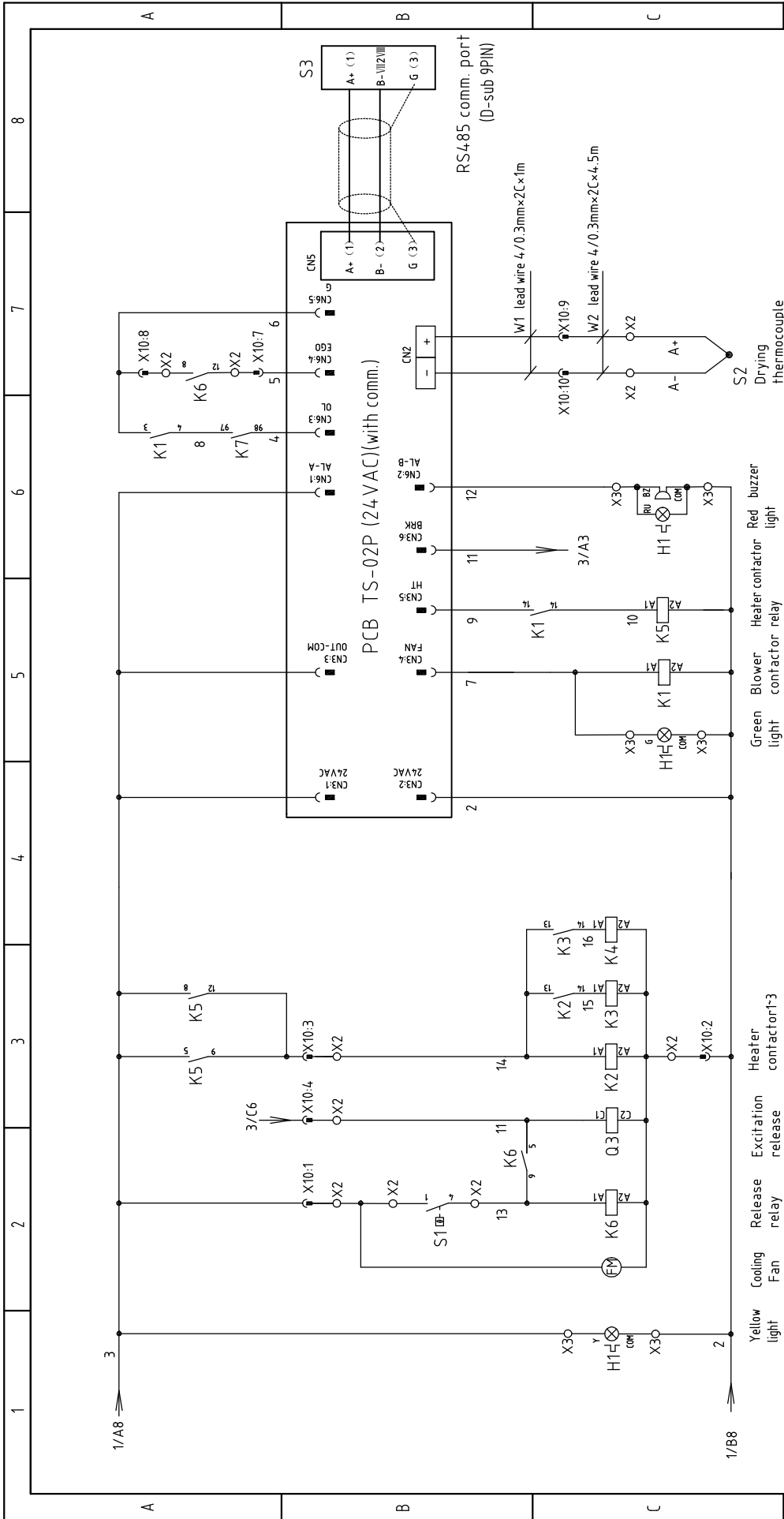


SHD-3500U 机型版本 Ver.F
SHD-4000U 机型版本 Ver.E

Mark	Before modification	Modified by	Modify date	Version	J	Title	Drawing NO.	Scale	Page 2
	After modification	Checked by	Date						
SHD-3500U/4000U Main Circuit Diagram 2				SHD-3500U/4000U-CE-230V-J-2		CE		Voltage 3Φ230V	
SHD-3500U/4000U Main Circuit Diagram 2				Approved by		SHD-3500U/4000U-CE-230V-J-2		Frequency 50Hz	
SHD-3500U/4000U Main Circuit Diagram 2				Date 20200731		SHD-3500U/4000U-CE-230V-J-2		Totaly 6 Pages	
SHD-3500U/4000U Main Circuit Diagram 2				20200731		SHD-3500U/4000U-CE-230V-J-2		3Φ230V 50Hz	

SHINI
信易电热机械股份有限公司
Shini Plastics Technologies, Inc.

1 2 3 4 5 6 7 8



SHD-3500U	机型版本Ver.F
SHD-4000U	机型版本Ver.E
Mark	Before modification
	After modification
	Modified by
	Modify date
	Checked by
	Date
	Approved by
	Version
	Drawer

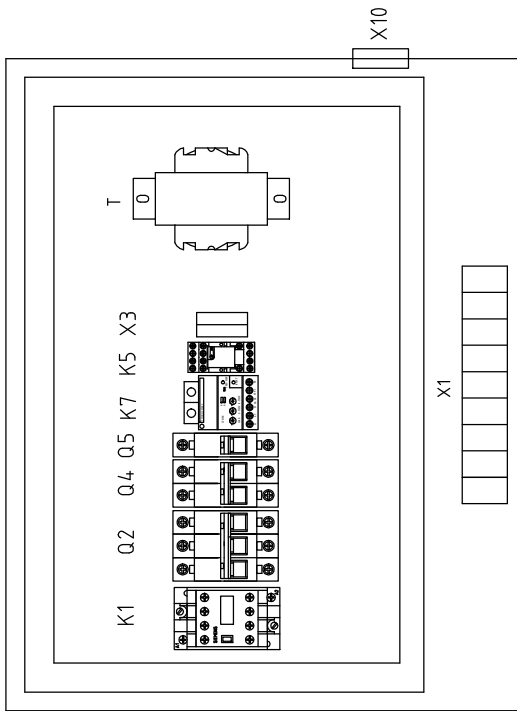
Notes: Compensation lead must be connected between TS-02 controller CN2 and heavy-duty connector X10.
 Compensation lead must be connected from terminal board X2 to heavy-duty connector X10 of the drying thermocouple.

Title		SHD-3500U/4000U Control Circuit Diagram	
Drawing NO.		SHD-3500U/4000U-CE-230V-J-3	
Scale		Standard CE	
Page		3	
Totally		6	
Pages		3φ230V	
Voltage		50HZ	
Frequency		8	

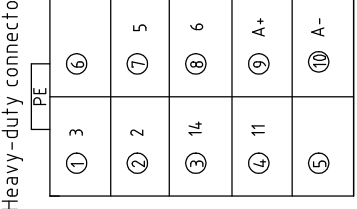
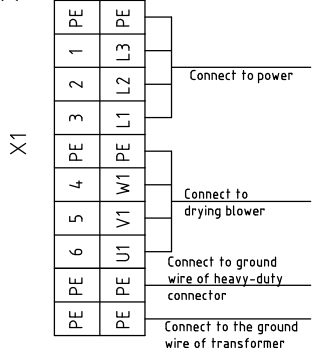
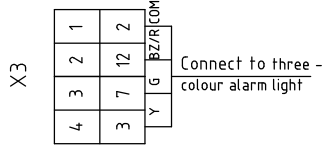
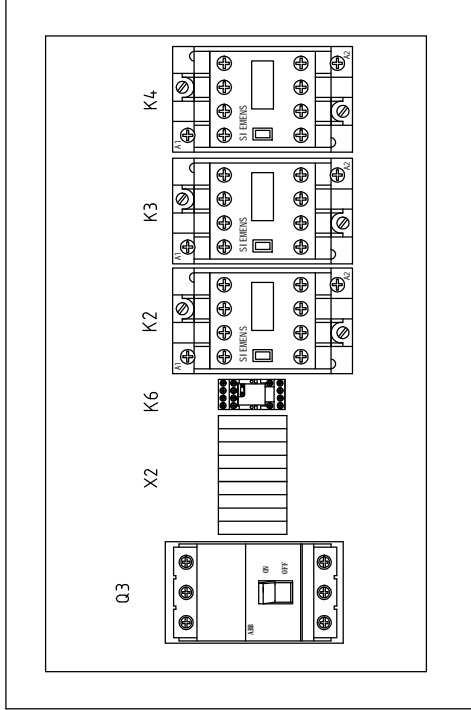
SHINI
 信易电热机械股份有限公司
 Shini Plastics Technologies, Inc.

1 2 3 4 5 6 7 8

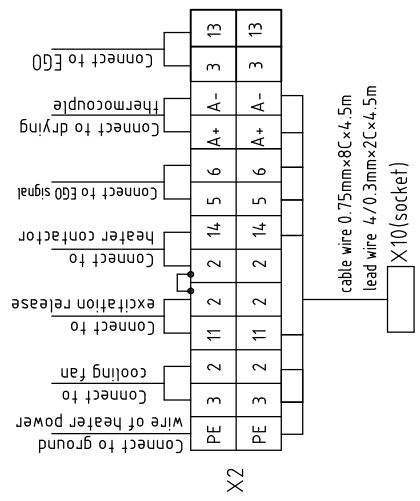
Drying blower control box



Heater control box



No.	Function	Description
1	3	AC24V power
2	2	
3	14	Heating enable signal
4	11	Release signal
5		Reversed
7	5	EGO overheat signal
8	6	
9	A+	
10	A-	thermocouple



SHD-3500U 机型版本 Ver.F

SHD-4000U 机型版本 Ver.E


Technical Requirement: 1. The power wire of main heater control box is directly connected to the break interlock without passing the terminal board.
2. The heater wire is directly connected to the heater contractor without passing the terminal board.

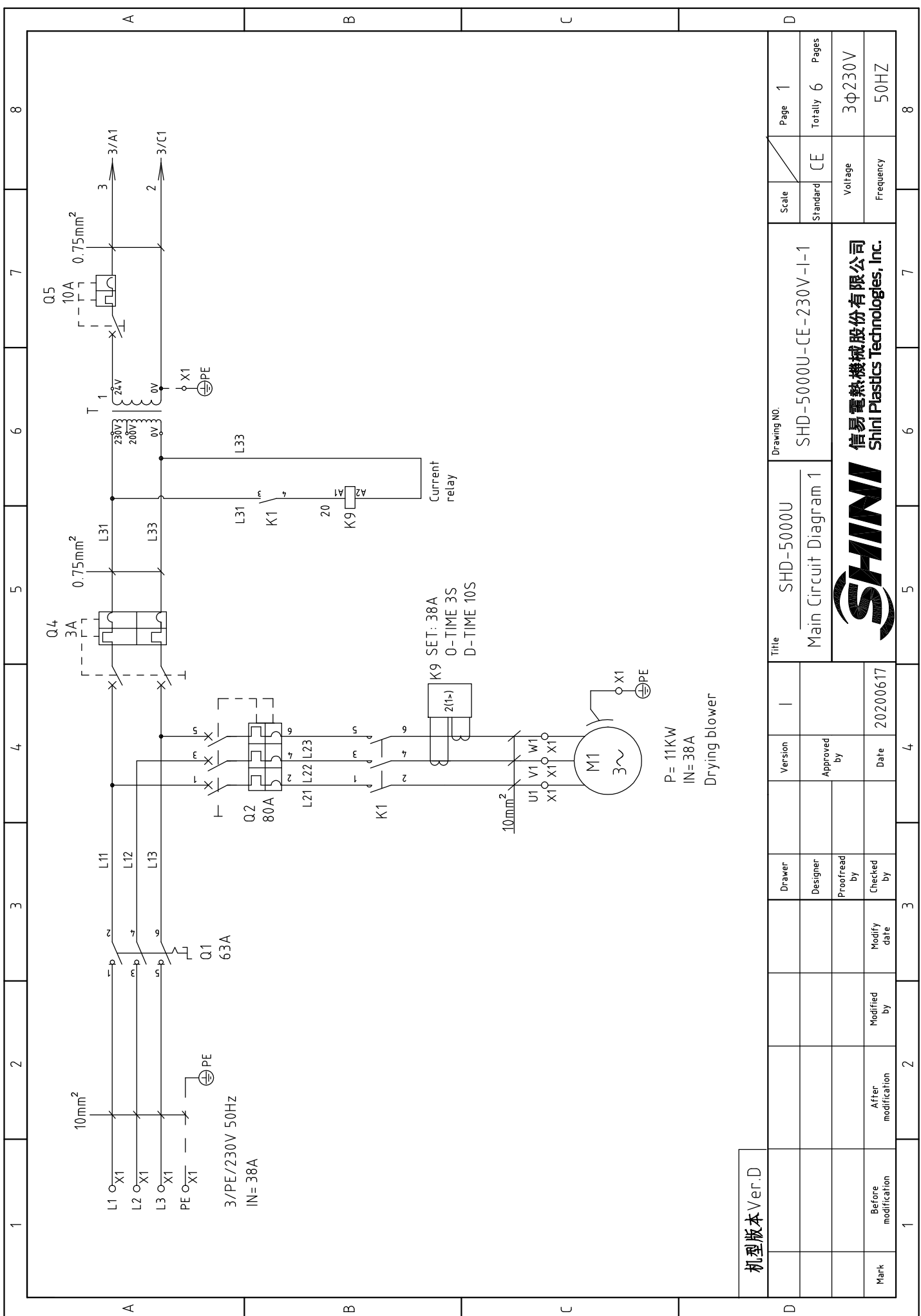
Mark	Before modification	Modified by	Date	Version	J	Title	SHD-3500U/4000U	Scale	Page
	After modification	Checked by	20200731	Approved by		Elec. Parts Layout & Wiring Diagram	SHD-3500U/4000U-CE-230V-J-4	Standard	Totally
		Modify date						Voltage	Pages
								Frequency	3
									4
									6
									8
									8
									50HZ
									CE
									3
									230V
									6
									4



信易电热机械股份有限公司
Shini Plastics Technologies, Inc.

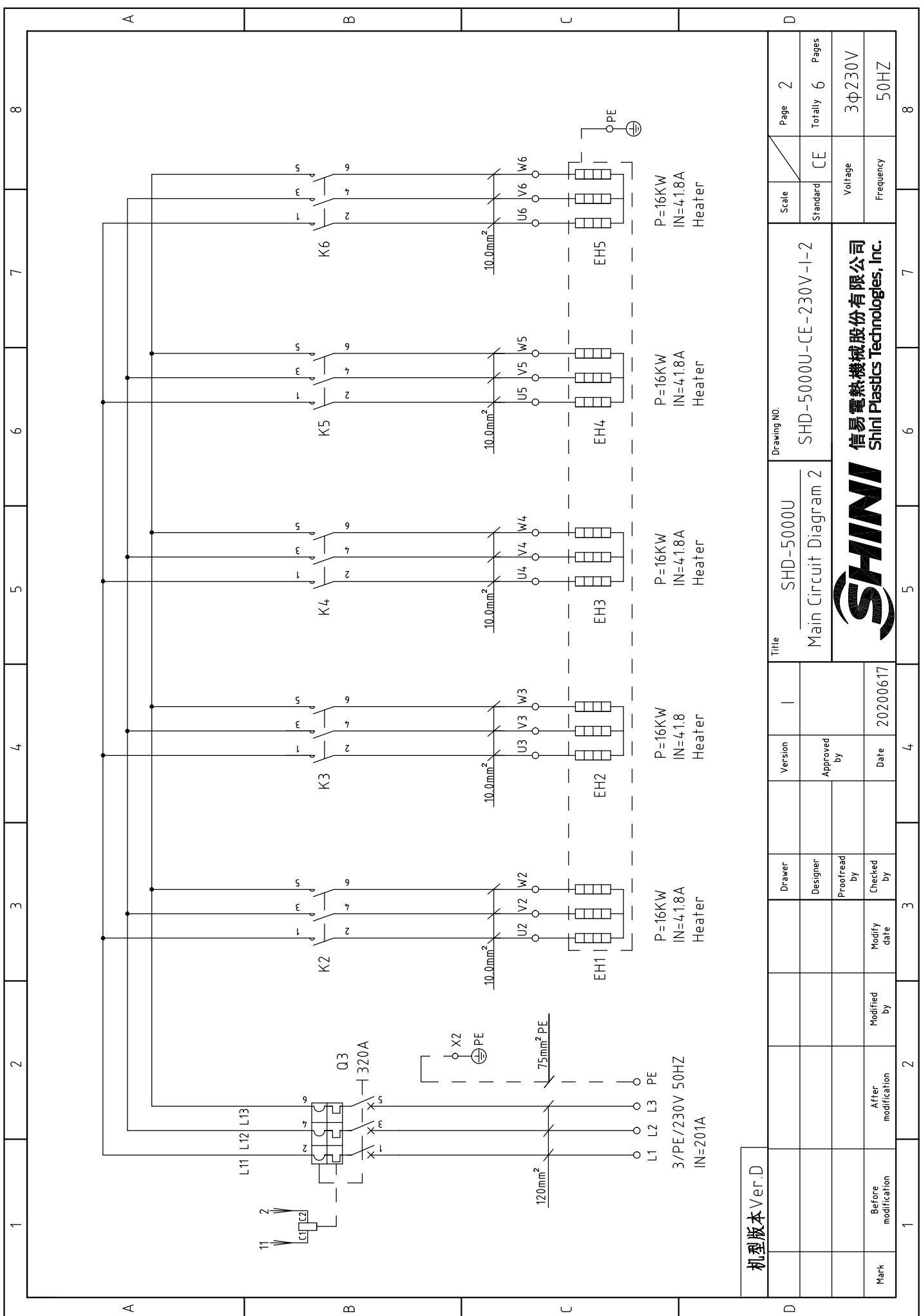
1		2		3		4		5		6		7		8	
NO.	Symbol	Name	Manufacturer	Type	Specification	Number	Material number	Remark							
1	Q1	Main power switch	EATON	P1-32/EA/SVB	32A	1	YE10323200000								
2	Q2	Circuit breaker	TECO	BM-63C/3063S 3P	63A	1	YE40306303000								
3	Q3	Break interlock	ABB	A2B250TMF200/20003P	200A	1	YE41252200000								
4	Q4	Excitation release	ABB	SOR-C	24-30VAC/DC	1	YE40243000900								
5	Q5	Circuit breaker	TECO	BM-63C/2003S 2P	3A	1	YE40200203000								
6	Q5	Circuit breaker	TECO	BM-63C/1010S 1P	10A	1	YE40101000100								
7	K1	AC contactors	SIEMENS	3RT6028-1AC20	38A 24V AC	1	YE00602802600								
8	K2 K3 K4	Auxiliary contact terminal	SIEMENS	3RH6911-1HA22	2NC+2NO	1	YE00691100000								
9	K2 K3 K4	AC contactors	SIEMENS	3RT5044-1AC20	65A 24V AC	3	YE00504402600								
10	K5 K6 K8	Auxiliary contact terminal	SIEMENS	3RH5921-1CA10	1NO	2	YE00592110000								
11	K5 K6 K8	Middle relay	HONEYWELL	GR-2C-AC24V	----	3	YE03022400300								
12	K7	Current relay	SCHNEIDER	LT4760M7S	5-60A-220V AC	1	YE04476000100								
13	T	Transformer	JIUXIN	IN=230V/200V OUT=24V	350VA	1	YE70023007000								
14	PCB	Microcomputer PCB	PUMP	TS-02P (24VAC/DC)(assembly)	24V 50/60Hz	1	YE80022405200								
15	S1	Overheat protector	EGO	115-320℃	----	1	----	(1)							
16	S2	Thermocouple	SHINI	5×93L×M8×8M	----	1	----	(1)							
17	S3	Communication interface board RS-485 (double D-sub-9pin connector)	YUYUN	----	----	1	YE90048501200								
18	H1	Shell RS485(SAL-700G-A-19)ver.0	BINCHEG	----	----	1	YR40048500000								
19	X1	Three-color alarm light	SHINI	red,yel. gre.+ buzzer	24VAC/DC	1	BL90002401520								
20	X1	Terminal board	HONEYWELL	GK10	10.0mm ²	6	YE60001003200								
21	X1	Terminal board	HONEYWELL	GK10.0PE	10.0mm ² PE	2	YE60001003500								
22	X2	Terminal board	HONEYWELL	GK2.5PE	2.5mm ² PE	2	YE60002503400								
23	X2	Terminal board	HONEYWELL	TB 70 PE	70mm ² PE	1	YE61070000000								
24	X2	Terminal board	HONEYWELL	SK2.5	2.5mm ²	12	YE60002503200								
SHD-3500U 机型版本 Ver.F															
SHD-4000U 机型版本 Ver.E															
Notes: (1)Means it's not the material inside the control box.															
D		Drawing NO.		SHD-3500U/4000U-CE-230V-J-5		Scale		Page 5		Standard		CE		Page 5	
D		Title		SHD-3500U/4000U Electrical Parts List 1		Voltage		3Φ230V		Frequency		50Hz		Page 5	
D		Approved by		Date		20200731		SHINI		信易电热机械股份有限公司		Shini Plastics Technologies, Inc.		Page 5	
D		Mark		Before modification		After modification		Modified by		Modify date		Checked by		Date	

1		2		3		4		5		6		7		8																																																																	
NO.	Symbol	Name	Manufacturer	Type	Specification	Number	Material number	Remark																																																																							
25	X3	Terminal board	HONEYWELL	SK2.5	2.5mm ²	4	YE60002503200																																																																								
26		Terminal fittings E/GK series	HONEYWELL	GK series	PCS	5	YE60000003900																																																																								
27	X10	Heavy duty connector	HARTING	10P+PE (plug)+socket)	10P	1	YE68001001300	(1)																																																																							
28		Cable lock PG21	JIGUO	PG21	----	1	YE67002100000	(1)																																																																							
29	FM	Fan	BESTFLOW	KD12025D	24V 50/60Hz	1	YM60121206400	(1)																																																																							
30	M1	Blower	----	7.5kW	230VAC 50Hz	1	----	(1)																																																																							
31	EH1 EH2 EH3	Heater	SHINI	21.3kW	230VAC	3	----	(1)																																																																							
A																																																																															
B																																																																															
C																																																																															
D																																																																															
SHD-3500U 机型版本 Ver.F SHD-4000U 机型版本 Ver.E Notes: (1)Means it's not the material inside the control box.																																																																															
<table border="1"> <tr> <td colspan="2">Title</td> <td colspan="2">Drawing NO</td> <td colspan="2">Scale</td> <td colspan="2">Page</td> </tr> <tr> <td colspan="2">SHD-3500U/4000U Electrical Parts List 2</td> <td colspan="2">SHD-3500U/4000U-CE-230V-J-6</td> <td colspan="2">CE</td> <td colspan="2">6</td> </tr> <tr> <td colspan="2">Version</td> <td colspan="2">Approved by</td> <td colspan="2">Standard</td> <td colspan="2">Totally</td> </tr> <tr> <td colspan="2">J</td> <td colspan="2"></td> <td colspan="2">CE</td> <td colspan="2">6</td> </tr> <tr> <td colspan="2">Designer</td> <td colspan="2">Proofread by</td> <td colspan="2">Voltage</td> <td colspan="2">Pages</td> </tr> <tr> <td colspan="2"></td> <td colspan="2"></td> <td colspan="2">3Φ230V</td> <td colspan="2">6</td> </tr> <tr> <td colspan="2">Date</td> <td colspan="2">Checked by</td> <td colspan="2">Frequency</td> <td colspan="2">Pages</td> </tr> <tr> <td colspan="2">20200731</td> <td colspan="2"></td> <td colspan="2">50HZ</td> <td colspan="2">6</td> </tr> </table>																Title		Drawing NO		Scale		Page		SHD-3500U/4000U Electrical Parts List 2		SHD-3500U/4000U-CE-230V-J-6		CE		6		Version		Approved by		Standard		Totally		J				CE		6		Designer		Proofread by		Voltage		Pages						3Φ230V		6		Date		Checked by		Frequency		Pages		20200731				50HZ		6	
Title		Drawing NO		Scale		Page																																																																									
SHD-3500U/4000U Electrical Parts List 2		SHD-3500U/4000U-CE-230V-J-6		CE		6																																																																									
Version		Approved by		Standard		Totally																																																																									
J				CE		6																																																																									
Designer		Proofread by		Voltage		Pages																																																																									
				3Φ230V		6																																																																									
Date		Checked by		Frequency		Pages																																																																									
20200731				50HZ		6																																																																									
 <p>信易電熱機械股份有限公司 Shini Plastics Technologies, Inc.</p>																																																																															
<table border="1"> <tr> <td>Mark</td> <td>Before modification</td> <td>After modification</td> <td>Modified by</td> <td>Modify date</td> <td>Checked by</td> <td>Date</td> </tr> <tr> <td></td> <td></td> <td></td> <td></td> <td></td> <td></td> <td>20200731</td> </tr> </table>																Mark	Before modification	After modification	Modified by	Modify date	Checked by	Date							20200731																																																		
Mark	Before modification	After modification	Modified by	Modify date	Checked by	Date																																																																									
						20200731																																																																									



机型版本 Ver.D

Mark	Before modification	Modified by	Modify date	Date	Approved by	Version	I	Title	Drawing NO.	Scale		Page	
	After modification	Modified by	Modify date							Standard	CE		Totally
SHD-5000U Main Circuit Diagram 1									SHD-5000U-CE-230V-I-1		3φ230V		
SHINI 信易電熱機械股份有限公司 Shini Plastics Technologies, Inc.									Voltage		50HZ		
										Frequency		8	



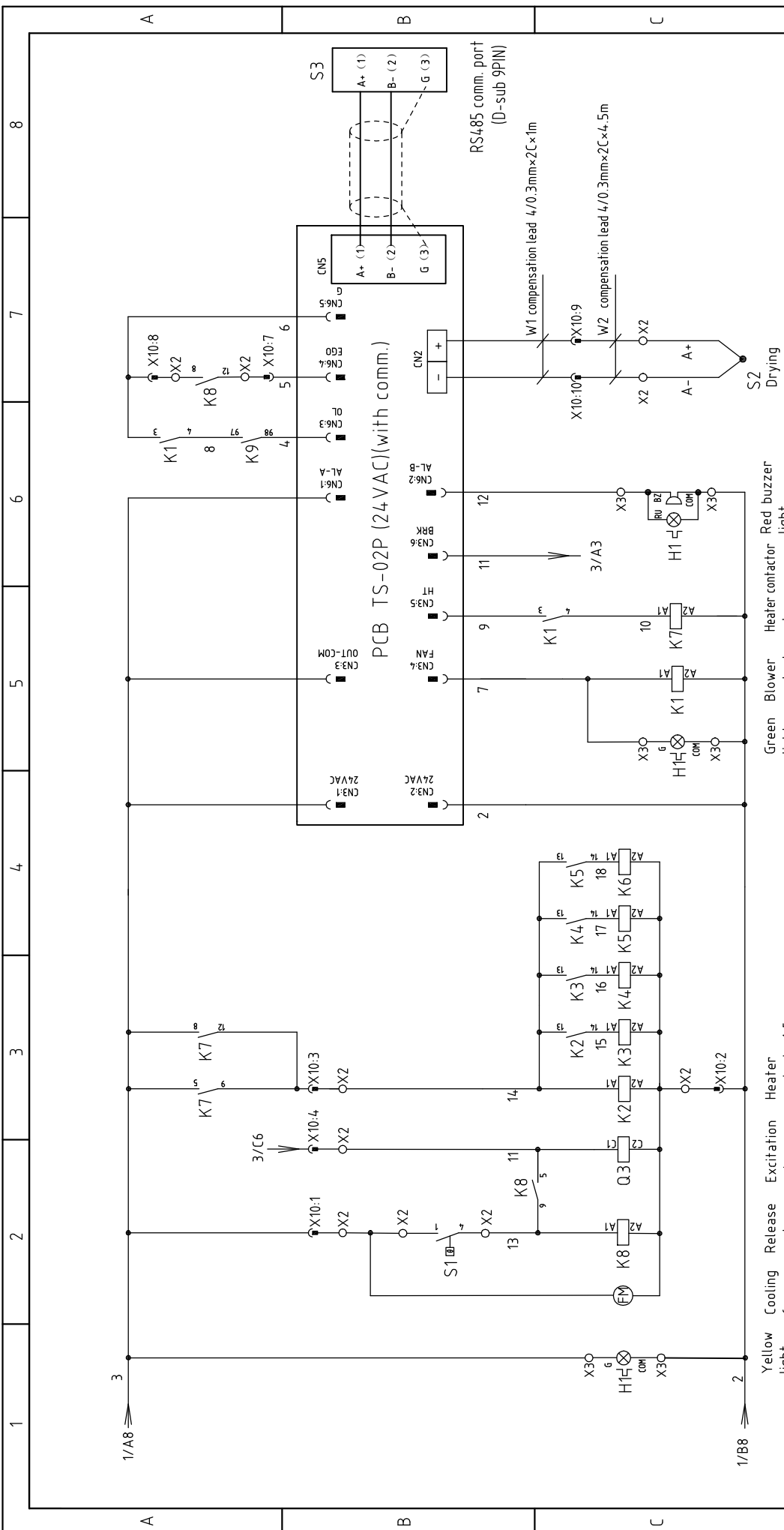
1 2 3 4 5 6 7 8

A B C D

机型版本 Ver.D

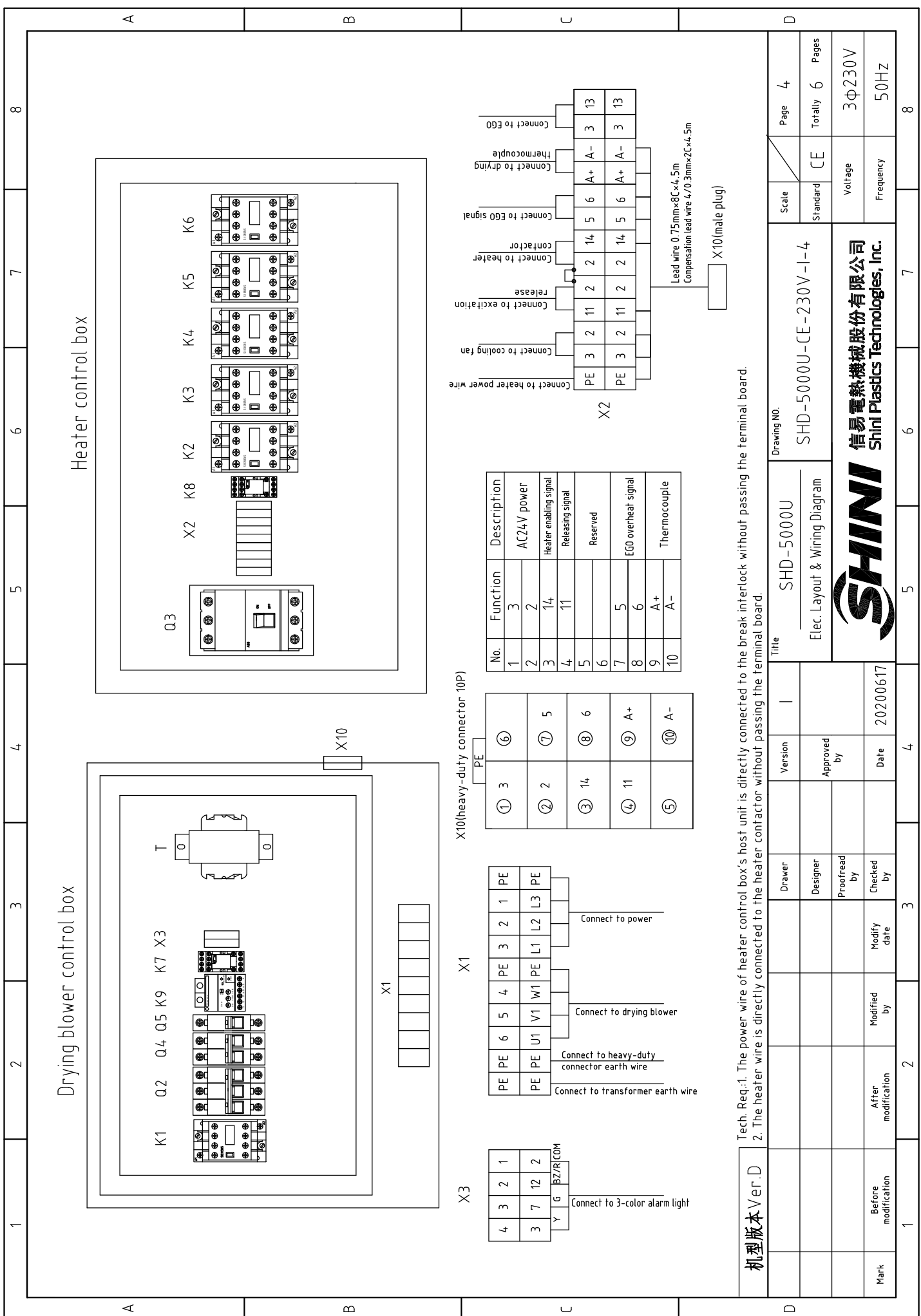
Mark	Before modification	Modified by	Modify date	Version	I	Title	Drawing NO.		Page
	After modification	Modified by	20200617				Approved by	SHD-5000U	SHD-5000U-CE-230V-I-2
				Checked by	Main Circuit Diagram 2		Standard	CE	Totally
				Proofread by	SHINI		Voltage	3φ230V	6
				Designer	信易电热机械股份有限公司 Shini Plastics Technologies, Inc.		Frequency	50HZ	Pages
				Drawer	SHD-5000U		Scale	CE	8

1 2 3 4 5 6 7 8



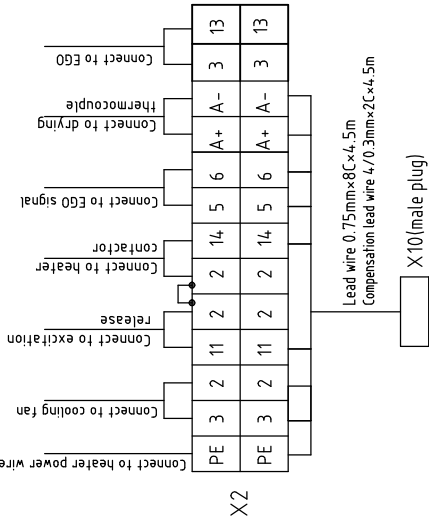
1	2	3	4	5	6	7	8	
<p>Notes: The compensation lead wire must be connected between the TS-02 controller CN2 and heavy-duty connector X10. The compensation lead wire must be connected from the terminal board X2 to heavy-duty connector X10 of the drying thermocouple.</p>								
机版本 Ver.D	Drawer	Version	I	Title SHD-5000U Control Circuit Diagram				Page 3
Mark	Designer	Approved by	Drawing NO. SHD-5000U-CE-230V-I-3				Standard CE	Totally 6 Pages
Before modification	Proofread by	Date	20200617				Voltage 3φ230V	Frequency 50Hz
After modification	Modified by	Modify date					Frequency	





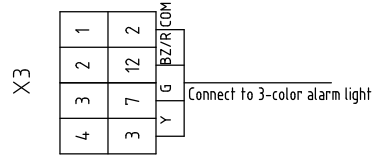
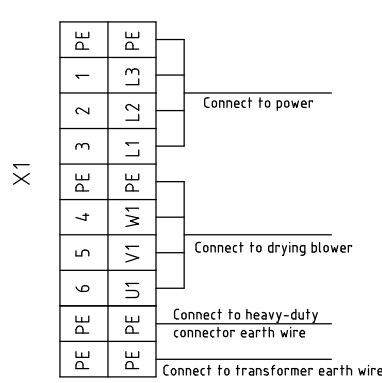
Drying blower control box

Heater control box



No.	Function	Description
1	3	AC24V power
2	2	Heater enabling signal
3	14	Releasing signal
4	11	Reserved
5	5	EGO overheat signal
6	6	Thermocouple
7	A+	
8	A-	
9	A+	
10	A-	

No.	Function	Description
1	3	AC24V power
2	2	Heater enabling signal
3	14	Releasing signal
4	11	Reserved
5	5	EGO overheat signal
6	6	Thermocouple
7	A+	
8	A-	
9	A+	
10	A-	



Tech. Req: 1. The power wire of heater control box's host unit is directly connected to the break interlock without passing the terminal board.
 2. The heater wire is directly connected to the heater contactor without passing the terminal board.

机型版本 Ver.D

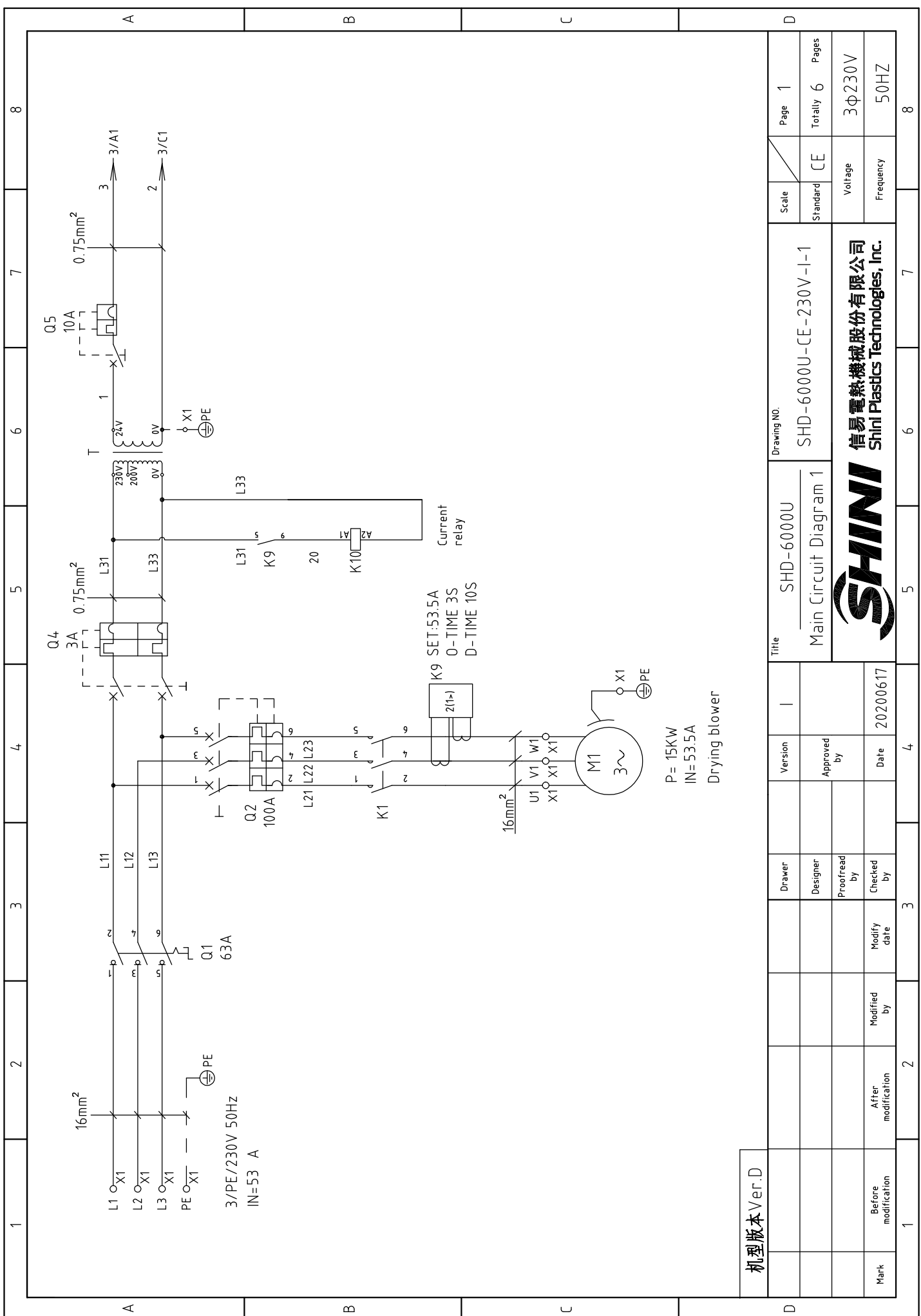
Title	SHD-5000U		Drawing NO.	SHD-5000U-CE-230V-I-4	
	Elec. Layout & Wiring Diagram				
Version	I		Scale	Standard	
Approved by			Standard	CE	
Checked by			Voltage	3φ230V	
Modify date			Frequency	50Hz	
Mark	Before modification	After modification	Page	4	
			Totally	6	
			Pages	3φ230V	
			Frequency	50Hz	



1		2		3		4		5		6		7		8	
NO.	Symbol	Name	Manufacturer	Type	Specification	Number	Material number	Remark							
1	Q1	Main switch	EATON	P3-63/EA/SVB	63A	1	YE10636300000								
2	Q2	Circuit breaker	TECO	BM-100D/3080S 3P	80A	1	YE40308003000								
A	Q3	Break interlock	ABB	A3N400TMF320/32003PFF	320A	1	YE41503400000								
4		Excitation release	ABB	SOR-C	24VAC	1	YE40243000900								
5	Q4	Circuit breaker	TECO	BM-63C/2003S 2P	3A	1	YE40200203000								
6	Q5	Circuit breaker	TECO	BM-63C/1010S 1P	10A	1	YE40101000100								
7	K1	AC contactors	SIEMENS	3RT5036-1AC20	50A 24V AC	1	YE00503602600								
8		Assistance contact	SIEMENS	3RH6911-1HA22	2NC+2NO	1	YE00691100000	New							
9	K2 K3 K4 K5 K6	AC contactors	SIEMENS	3RT5044-1AC20	65A 24V AC	5	YE00504402600								
10		Assistance contact	SIEMENS	3RH5921-1CA10	1NO	4	YE00592110000								
B	K7 K8	Middle relay	HONEYWELL	GR-2C-AC24V	24VAC	2	YE03022400300								
12	K9	Current relay	SCHNEIDER	LT4760M7S	5-60A 220V AC	1	YE04476000100								
13	T	Transformer	JIUXIN	IN=230V/200V OUT=24V	350VA	1	YE70023007000								
14	PCB	Microcomputer control board/PCB	PUMP	TS-02P (24VAC/DC)(assembly)	24V 50/60Hz	1	YE80022405200								
15	S1	Overheat protector	EGO	115-320°C	250V 16A	1	----	(1)							
16	S2	Thermocouple	SHINI	5x93LxM8x8M	----	1	----	(1)							
17	S3	Connect to interface port RS-485(Dsub-9pin connector)	YUYUN	----	----	1	YE90048501200								
18		Shell RS485(SAL-700G-A-19)ver.0	BINCHEG	----	----	1	YR40048500000								
C	H1	三色警報灯/Alarm lamp	SHINI	紅黃綠色+蜂鳴器	24V AC/DC	1	BL90000014520	Cancel							
20	H1	3-color alarm lamp	SHINI	Red.yel.gre.+ buzzer	24VAC/DC	1	BL90002401520	New							
21	X1	Terminal board	HONEYWELL	GK10	10.0mm ²	6	YE60001003200								
22		Terminal board	HONEYWELL	GK10PE	10.0mm ² PE	2	YE60001003500								
23		Terminal board	HONEYWELL	GK2.5PE	2.5mm ² PE	2	YE60002503400								
24	X2	Terminal board	HONEYWELL	TB 70 PE	70mm ² PE	1	YE61070000000								
25		Terminal board	HONEYWELL	SK2.5	2.5mm ²	12	YE60002503200								
机型版本 Ver.D Notes: (1)Materials not in the control box;															
			Drawer	Version	Title		Drawing NO.		Scale		Page		5		
			Designer	Approved by	SHD-5000U		SHD-5000U-CE-230V-I-5		Standard		CE		Totally 6		
			Proofread by	Date	Elec. Parts List 1				Voltage		3Φ230V		Pages		
			Checked by	20200617					Frequency		50HZ				
Mark	Before modification	Modified by	Modify date	4		5		6		7		8			



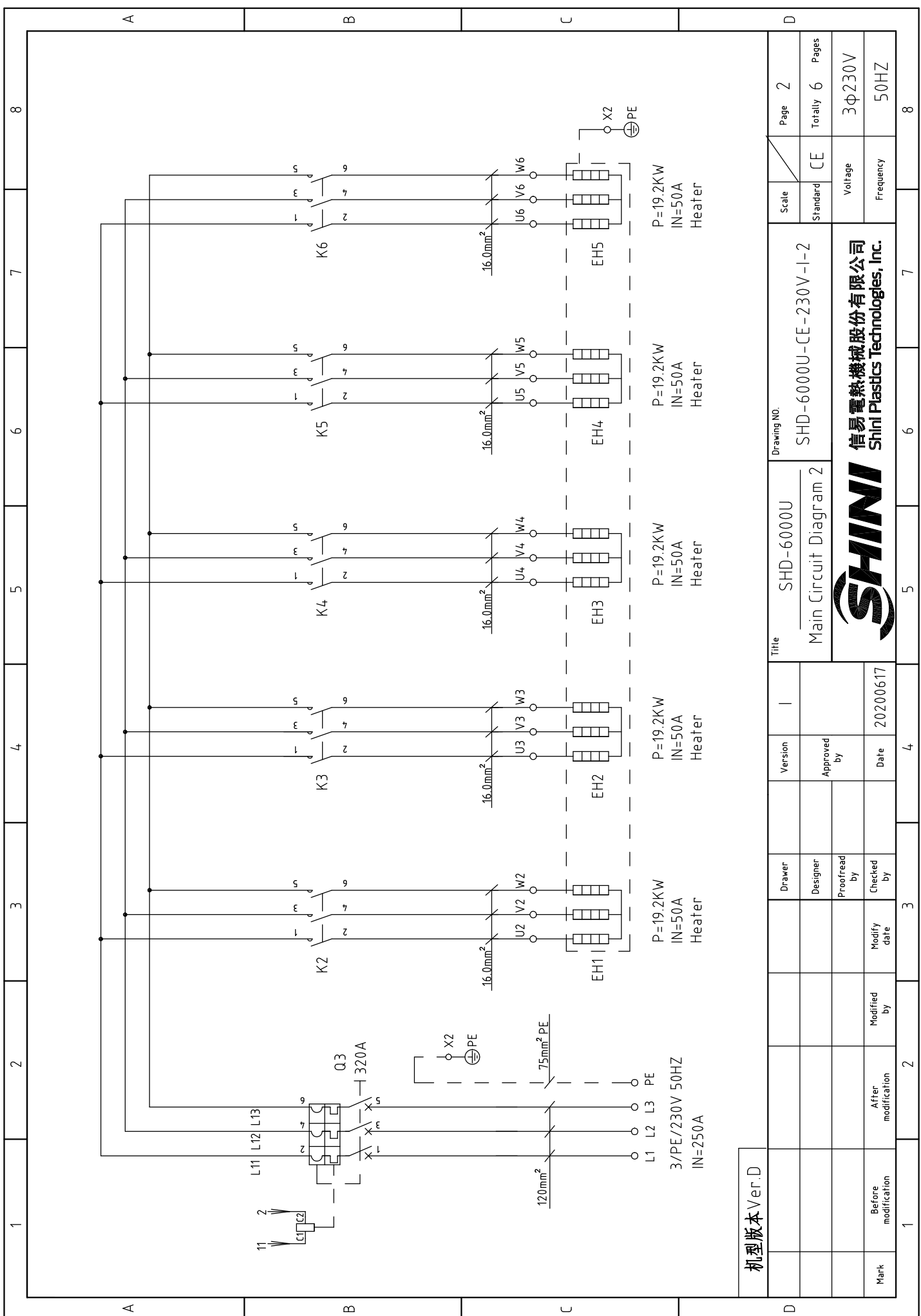
1		2		3		4		5		6		7		8	
NO.	Symbol	Name	Manufacturer	Type	Specification	Number	Material number	Remark							
26	X3	Terminal board	HONEYWELL	SK2.5	2.5mm ²	4	YE60002503200								
27		Terminal fittings E/GK series	HONEYWELL	GK series	PCS	5	YE600000003900								
28	X10	Heavy duty connector	HARTING	10P + PE (male plug) + socket	10P	1	YE68001001300	(1)							
29		Cable lock PG21	JIGUO	PG21	----	1	YE67002100000	(1)							
30	FM	Fan	BESTFLOW	KD12025D	24V 50/60HZ	1	YM60121206400	(1)							
31	M1	Blower	----	11.0kW	230VAC 50HZ	1	----	(1)							
32	EH1-EH5	Heater	SHINI	16.0kW	230VAC	5	----	(1)							
									B						
									C						
									D						
机版本 Ver.D Notes: (1)Materials not in the control box;															
		Drawer		Version		Title		Drawing NO.		Scale		Page			
		Designer		Approved by		SHD-5000U Elec. Parts List 2		SHD-5000U-CE-230V-I-6		Standard		CE		Totally 6	
		Proofread by		Date		SHINI		信易电热机械股份有限公司 Shini Plastics Technologies, Inc.		Voltage		3φ230V			
Mark		Modified by		Modify date		20200617				Frequency		50HZ			
1		2		3		4		5		6		7		8	



机型版本 Ver.D

Title	SHD-6000U	Drawing NO.	SHD-6000U-CE-230V-I-1		Scale	Page 1
			Main Circuit Diagram 1		Standard	Totally 6 Pages
Mark	Before modification	After modification	Modified by	Modify date	Voltage	3φ230V
					Date	20200617
Version	I	Approved by				8

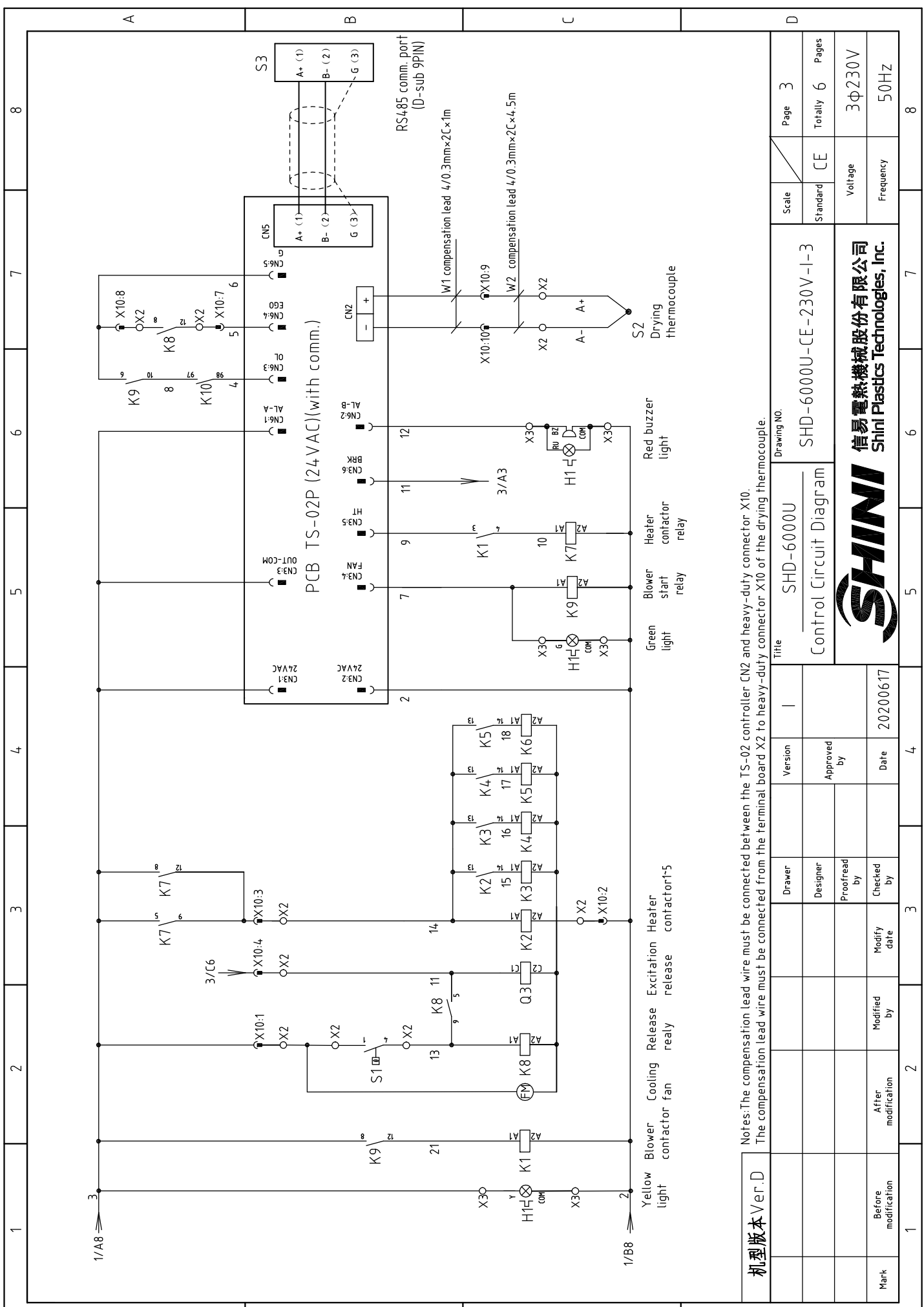




机型版本 Ver.D

Mark	Before modification	Modified by	Modify date	Version	I	Title	SHD-6000U Main Circuit Diagram 2	Drawing NO.	SHD-6000U-CE-230V-I-2	Scale	Page
	After modification	Modified by	Modify date							Approved by	CE
										Standard	Totally
										Voltage	6
										Frequency	Pages
										3φ230V	8
										50HZ	





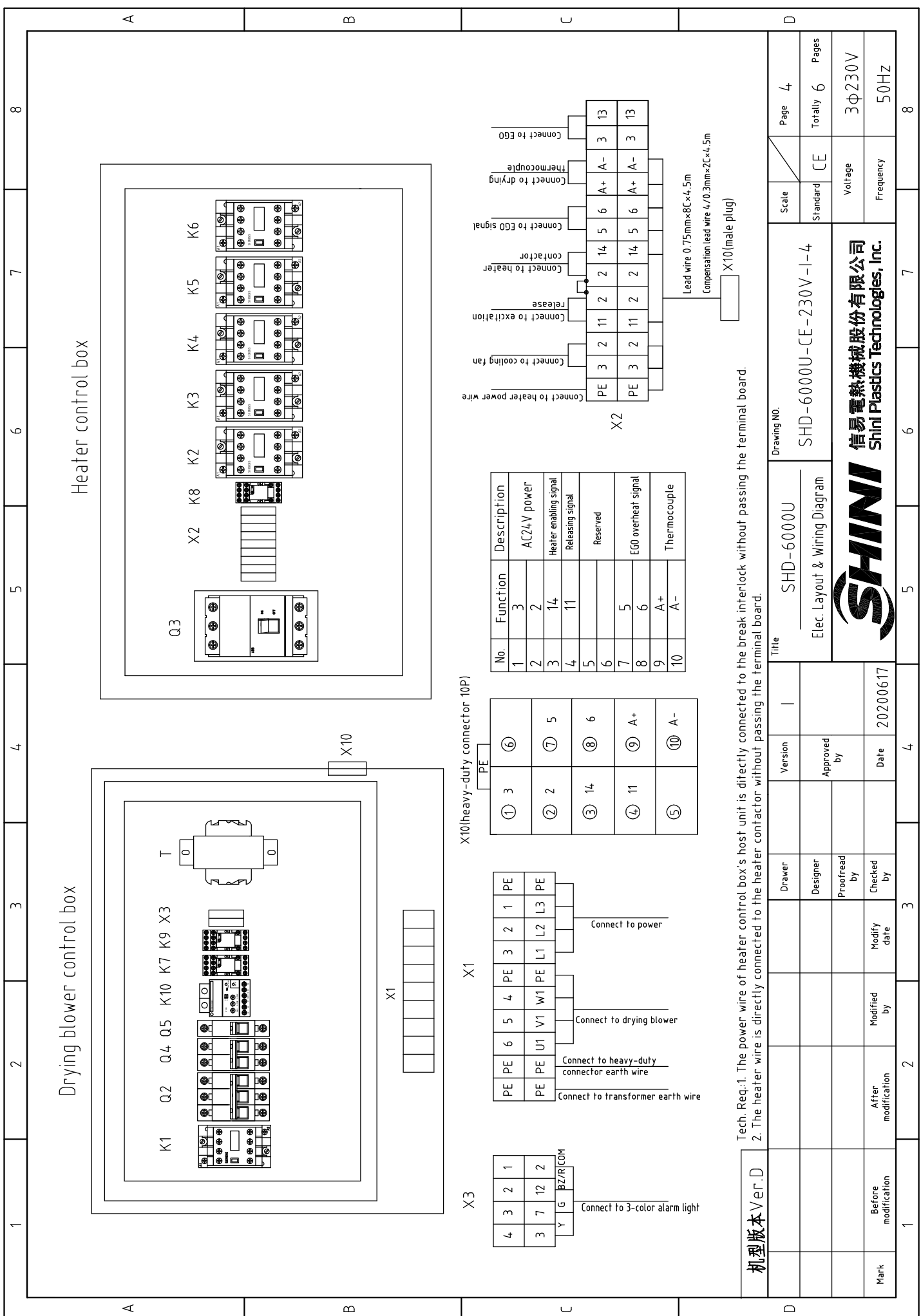
Notes: The compensation lead wire must be connected between the TS-02 controller CN2 and heavy-duty connector X10.
 The compensation lead wire must be connected from the terminal board X2 to heavy-duty connector X10 of the drying thermocouple.

机型版本 Ver.D	Drawer	Version	I
	Designer	Approved by	
	Proofread by	Date	20200617
Mark	After modification	Modified by	
	Before modification	Checked by	

Scale	Page
Standard	CE
Voltage	Totally
Frequency	Pages
	3
	6
	3φ230V
	50Hz

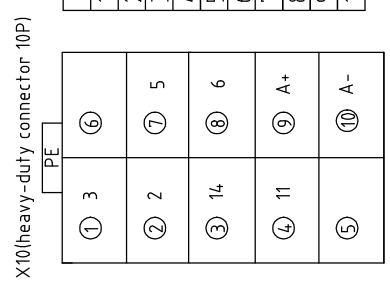
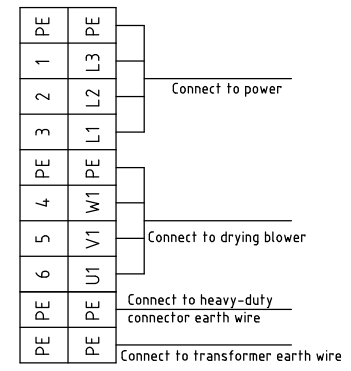
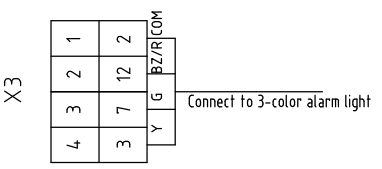
Title		SHD-6000U	
Control Circuit Diagram		SHD-6000U-CE-230V-I-3	
Drawing NO.		SHINI	



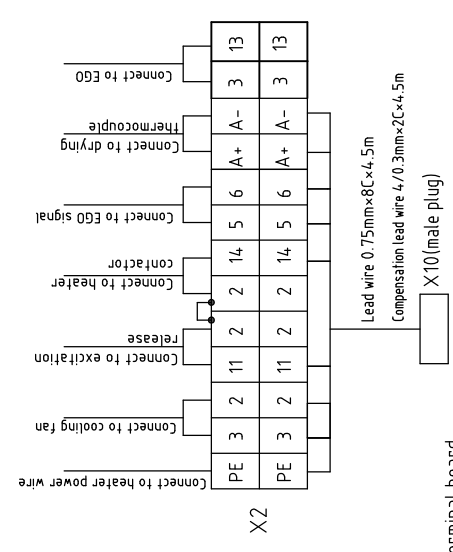


Drying blower control box

Heater control box



No.	Function	Description
1	3	AC24V power
2	2	
3	14	Heater enabling signal
4	11	Releasing signal
5		Reserved
7	5	EGO overheat signal
8	6	
9	A+	
10	A-	Thermocouple



Tech. Req.1. The power wire of heater control box's host unit is directly connected to the break interlock without passing the terminal board.
 2. The heater wire is directly connected to the heater contactor without passing the terminal board.

机型版本	Ver.D
Mark	Before modification
	After modification
	Modified by
	Modify date
	Checked by
	Proofread by
	Designer
	Version
	Approved by
	Date
	20200617

Scale	Page 4
Standard	Totally 6
Voltage	3φ230V
Frequency	50HZ

Drawing NO.	SHD-6000U
Title	SHD-6000U-CE-230V-I-4
Elec. Layout & Wiring Diagram	

信易电热机械股份有限公司
Shini Plastics Technologies, Inc.

1		2		3		4		5		6		7		8	
NO.	Symbol	Name	Manufacturer	Type	Specification	Number	Material number	Remark							
1	Q1	Main switch	EATON	P3-63/EA/SVB	63A	1	YE10636300000								
2	Q2	Circuit breaker	TECO	BM-100D/3100S 3P	100A	1	YE40310003000								
3	Q3	Break interlock	ABB	A3N400TMF320/32003PFF	320A	1	YE41503400000								
4		Excitation release	ABB	SOR-C	24VAC	1	YE40243000900								
5	Q4	Circuit breaker	TECO	BM-63C/2003S 2P	3A	1	YE40200203000								
6	Q5	Circuit breaker	TECO	BM-63C/1010S 1P	10A	1	YE40101000100								
7	K1	AC contactors	SIEMENS	3RT5045-1AC20	80A 24V AC	1	YE00504502600								
8		Assistance contact	SIEMENS	3RH5921-1CA10	1NO	1	YE00592110000								
9	K2 K3 K4 K5 K6	AC contactors	SIEMENS	3RT5044-1AC20	65A 24V AC	5	YE00504402600								
10		Assistance contact	SIEMENS	3RH5921-1CA10	1NO	4	YE00592110000								
11	K7 K8	Middle relay	HONEYWELL	GR-2C-AC24V	24VAC	2	YE03022400300								
12	K9	Middle relay	HONEYWELL	GR-4C-AC24V	24VAC	1	YE03042400300	New							
13	K10	Current relay	SCHNEIDER	LT4760M7S	5-60A 220VAC	1	YE04476000100								
14	T	Transformer	JIUXIN	IN=230V/200V OUT=24V	350VA	1	YE70023007000								
15	PCB	Microcomputer control board/PCB	PUMP	TS-02P (24VAC/DC)(assembly)	24V 50/60Hz	1	YE80022405200								
16	S1	Overheat protector	EGO	115-320°C	----	1	----	(1)							
17	S2	Thermocouple	SHINI	5x93LxM8x8M	----	1	----	(1)							
18	S3	Connect to interface port RS-485(sub-9pin connector)	YUYUN	----	----	1	YE90048501200								
19		Shell RS485(SAL-700G-A-19)ver.0	BINCHEG	----	----	1	YR40048500000								
20	H1	三色报警灯/Alarm lamp	SHINI	红黄绿色报警灯	24V AC/DC	1	BL900000H520	Cancel							
21	H1	3-color alarm lamp	SHINI	Red yel. gre.+ buzzer	24VAC/DC	1	BL90002401520	New							
22	X1	Terminal board	HONEYWELL	GK16	16.0mm ²	6	YE60001603200								
23		Terminal board	HONEYWELL	GK16PE	16.0mm ² PE	2	YE60001603500								
24		Terminal board	HONEYWELL	GK2.5PE	2.5mm ² PE	2	YE60002503400								
25	X2	Terminal board	HONEYWELL	TB 70 PE	70mm ² PE	1	YE61070000000								
机型号版本 Ver.D Notes: (1)Materials not in the control box;															
Mark		Before modification	Modified by	Modify date	After modification	Modified by	Modify date	Checked by	Date	Approved by	Version	Title		Drawing NO.	
									20200617		I	SHD-6000U Elec. Parts List 1		SHD-6000U-CE-230V-I-5	
												Scale		Page 5	
												Standard		CE	
												Voltage		3φ230V	
												Frequency		50HZ	
												Totally		6 Pages	
1		2	3	4	5	6	7	8							



