



SHR-U-(S)V Series

Coding Principle

SHR - xxU - SV

- "S" stands for Central Vacuum Hopper Receiver
"V" stands for Visualized
- "xx" stands for Hopper Capacity
"U" stands for European
- Vacuum Hopper Receiver

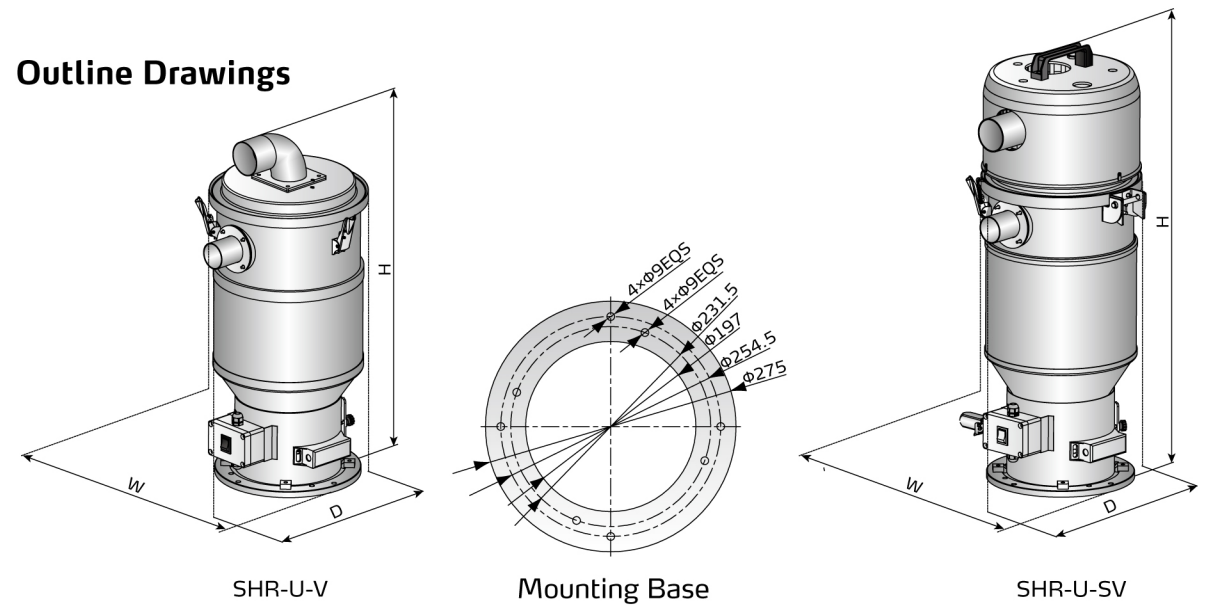
Features

- The hopper is made of stainless steel and tempered glass to ensure no contamination.
- The material level and status can be checked via the tempered glass.
- Standard equipped steel wire filter
- SHR-U-SV is equipped with vacuum breaking valve to control the vacuum loop.

Application

This series of machines are mainly used with the Separate-vacuum Hopper Loader SAL-UG and "All-in-One" Compact Dryer, which also can be used in the central conveying system; The 4P connector is required when working with the SAL-UG and SCD.

Outline Drawings



Specifications

SHR-U-V

Model	Capacity L/gal	Dimension (H×W×D) mm/inch	Weight kg/lb	Conveying Pipe Dia. (inch)	Suction pipe dia. (inch)
SHR-12U-V	12	602×330×340	9	1.5	2
	3.17	23.7×13.4×13	19.8		
SHR-24U-V	24	702×340×330	11	2	2
	6.34	27.6×13.4×13	24.3		
SHR-36U-V	36	917×340×330	14	2	2.5
	9.51	36.1×13.4×13	30.9		

SHR-U-SV

Model	Capacity L/gal	Dimension (H×W×D) (mm)	Weight(kg)	Conveying Pipe Dia. (inch)	Suction pipe dia. (inch)
SHR-12U-SV	12	692×335×353	11	1.5	2
	3.17	27.2×13.2×13.9	24.3		
SHR-24U-SV	24	832×335×353	13	2	2.5
	6.34	32.8×13.2×13.9	28.7		
SHR-36U-SV	36	1032×335×353	15	2	2.5
	9.51	40.6×13.2×13.9	33.1		