



Hermetic cooling water tower

SDC-140W

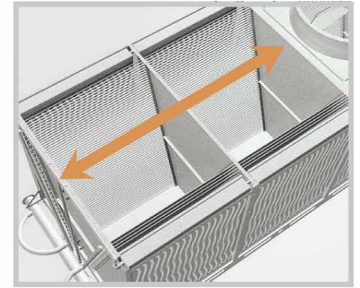
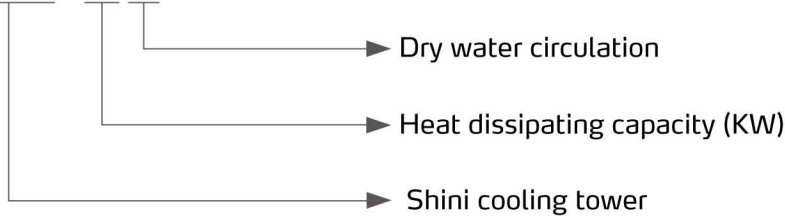


Refer carefully to this manual before operation.

SDC-W Series

■ Coding Principle

SDC - xx W



Wide type heat exchanger

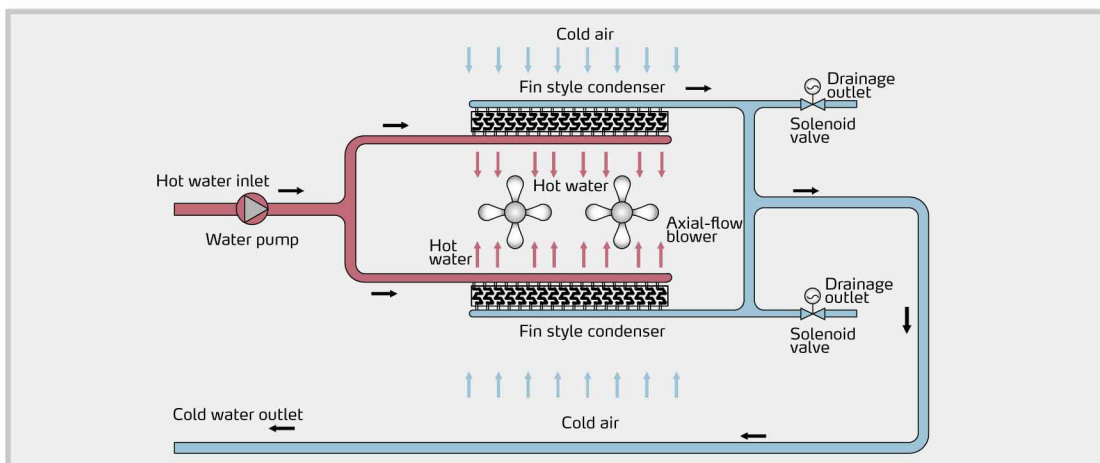
■ Features

- Modular design and easy capacity expansion help to reduce the impact of failure maintenance;
- Easy installation: small modular volume, convenient transportation, which only needs to connect the power supply and water pipe to put into operation.
- Economic energy saving: take ambient air as the cooling medium without the compressor to save the cost, and the whole water loop adopts hermetic circulation with little water consumption that greatly saves the resource.
- Aluminum air filter that is easy to clean.
- Super wide heat exchanger
- Equipped with temperature control meter for temperature display at any moment;
- Equipped with anti-freezing measures and the ambient temperature is lower than 5°C, which can drain water automatically.

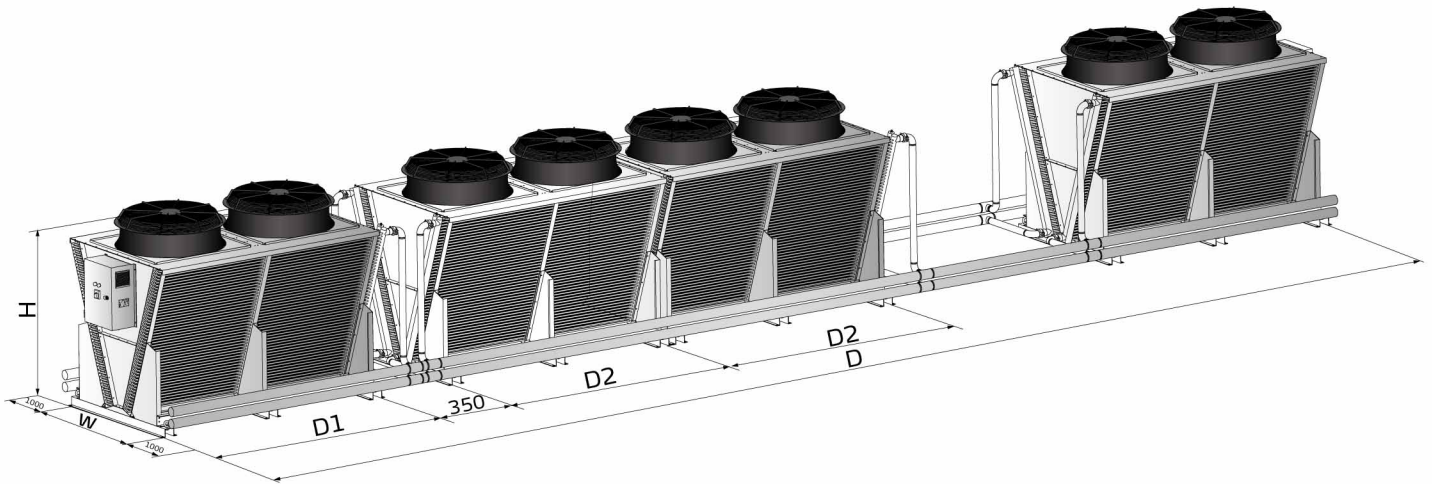
■ Applicable scope

As the clean cooling water is available, it's widely used in the industries with high demands of the cooling water quality, such as the electronic, food, chemical, casting, air conditioner and refrigeration industries. It's able to be applied for mould cooling to reduce the product's molding cycle, which also can be used for equipment cooling to ensure that the equipment is maintained at normal temperature, or other working areas which need cooling.

■ Working principle



■ Outline Drawings



■ Specification

| Machine Model | | SDC-140W |
|----------------------------|-------------------|-----------------|
| Refrigeration capacity | kW | 140 |
| Blower | n | 2 |
| Blower power | kW | 2.6×2 |
| Air quantity | m ³ /h | 24000×2 |
| Max. current | A | 4.98×2 |
| Rated water flow rate | m ³ /h | 15×2 |
| L(D1) | mm | 2900 |
| L(D2) | mm | 2650 |
| L(D) | mm | D1+175N+D2(N-1) |
| W | mm | 1550 |
| H | mm | 1900 |
| Water pipe connection mode | | Flange or clamp |
| Pipe dimension | DN | ND50×4 |

| Grouping | Model | Type |
|--------------------|----------|--------|
| Module combination | SDC-280W | 2×140W |
| | SDC-420W | 3×140W |
| | SDC-560W | 4×140W |

Notes: 1) Above data is obtained on the basis of power 400V/3 Φ / 50Hz, sea level mounted, and working environment specified in the operation manual.

2) Dry working condition: The ambient air dry-bulb temp. is 27°C. The process inlet water temp. 37°C, and the outlet water temp. is 32°C.

3) N is the number of water towers.

4) It's suggested to leave enough space around to ensure the water tower's cooling effect.

Shini Group

Addr: No. 23, Minhe St., Shulin Dist.,
New Taipei, Taiwan

Tel: +886 2 2680 9119

Fax: +886 2 2680 9229

Email: shini@shini.com

Factories:

- Taiwan
- Dongguan
- Pinghu
- Ningbo
- Chongqing
- Pune

2023-07-15-04 Copyrights Reserved.

www.shini.com